

For a Free Quote:

Web: **EnergyPal.com/solar**

Call: **1-800-990-3725**

Email: **contact@energypal.com**

EnergyPal

Solar Panel Guide Specification Data Sheet

**Aditi Solar Private Limited
Aditi 12V - 200WP
12V - 200WP**

Also available on the web at
EnergyPal.com/aditi-solar-private-limited-solar-panels/12v-200wp



SOLAR PHOTOVOLTAIC MODULES

Aditi's Photovoltaic Modules

- ★ High efficiency, Mono or Multi crystalline solar cells with high transmission and textured glass delivering a module series efficiency of up to 14.3%, minimizing installation costs and maximizing the kWh output of your system per unit area.
- ★ High quality, low iron, high transmissivity, tempered and toughened glass to ensure high light absorption.
- ★ Tin Copper interconnect increases Solderability and Conductivity. This also results in maximum output efficiency from the Module.
- ★ Premium quality encapsulation material ensuring high quality lamination leading to better performance.
- ★ Polyster tedlar used as a back sheet prevents from moisture and mechanical damage.
- ★ Weather resistant frame - seal helps preventing water seepage and protects the system from humidity.
- ★ Anodized Aluminum frame gives the system strong, corrosion-free structural support.
- ★ Produced in an ISO 9001:2008 & 14001:2004 certified production facilities.
- ★ Certifications: IEC 61215, IEC 61730-1&2, IEC 61701.
- ★ Warranty,
 - a) 90% of the rated power is guaranteed for a period of 10 years.
 - b) 80% of the rated power is guaranteed for a period of 25 years.



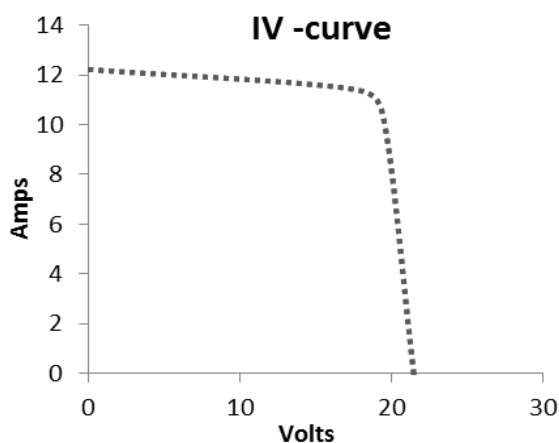
Model No: ADT 12200

Electrical Specifications:

Product Description	12V - 200WP
Rated POWER Pmax - [W]	200.00
Rated Voltage Vmax - [V]	17.50
Rated Current I_{max} - [A]	11.43
Open Circuit Voltage V_{oc} - [V]	21.50
Short Circuit Current I_{sc} - [A]	12.23
Module Efficiency η - [%]	14.40
Tolerance	± 3%

Standard Test Conditions: Irradiance 1000 W/ m² , Module temperature 25°C, Spectrum AM 1.5

Module IV-Curve:



Temperature Coefficients

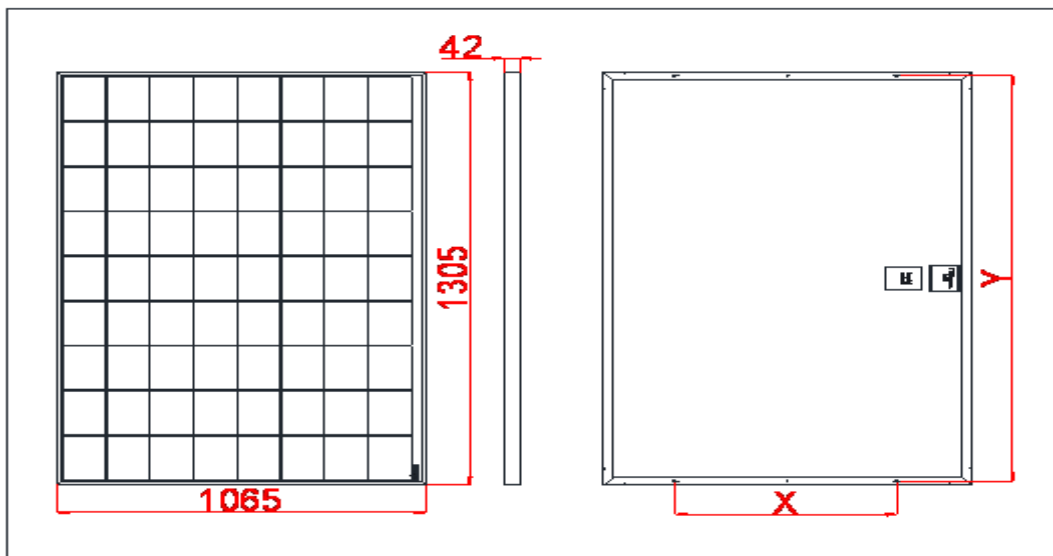
Voltage V_{oc}	: -0.33%/K
Current I_{sc}	: +0.06%/K
Power P_{max}	: -0.40%/K

Maximum system voltage	: 1000 V DC
Operating Module Temperature	: -40°C to +85°C
NOCT	: 47°C ± 2°C

Certifications



Module Drawing & Mounting details:



Mechanical Specifications:

Length [mm]	1305 ± 2
Width [mm]	1065 ± 2
Thickness [mm]	42
X [mm]	640 ± 2
Y [mm]	1265 ± 2
Mounting hole	10X7 mm slot
Earth hole	5mm dia
Drain hole	5mm dia
Aprox. weight [Kg]	17.25
No. of cells	72

Other Characteristics:

Cell type	Mono / Multi Crystalline
Front Glass	Toughened Textured Glass
Glass thickness	3.2 mm
Cell Encapsulation	EVA (Ethylene Vinyl Acetate)
Back sheet	Poly vinyl Fluoride
Frame	Anodized, Extruded Aluminum frame
Junction Box	Nylon / ABS moulded 4 rail junction box with bypass diodes & cables

Due to continuous upgradation of products, specifications mentioned are subject to change without prior notice.



Plot No: 17, ALEAP Indust. Estate, Gajula Ramaram, Qutbullapur (M), R.R.Dist., HYDERABAD
500090, ANDHRA PRADESH – INDIA TEL:+91-40-2004 0285 MOB: +91-8978854777 / 555

WEBSITE: www.aditisolar.in, EMAIL: marketing@aditisolar.in, spvprojects@aditisolar.in