

For a Free Quote:

Web: **EnergyPal.com/solar**

Call: **1-800-990-3725**

Email: **contact@energypal.com**

EnergyPal

Solar Panel Guide Specification Data Sheet

**Neety Euro-Asia Solar Energy
12V/24-25WP
12V/24WP**

Also available on the web at
EnergyPal.com/neety-euro-asia-solar-energy-solar-panels/12v-24wp



Solar Photovoltaic Modules

NEASE Solar Photovoltaic Module Specification Data

Module Type	12V/24WP	12V/25WP
Max. Power	24WP	25WP
Cell Type	Poly/mono Crystalline Silicon Solar Cells	
No. Of Cell	36 Cell	
Max. System Voltage	1000V	
Power Tolerance	± 3%.	
Surface Maximum Load Capacity	60m/s(200kg/sq.m)	
Weight	2.4kg	
Glass Dimensions	640mm X 340mm X 3.2mm	
Electrical Characteristic		
Open Circuit Voltage(Voc)	21.5 V	21.5 V
Short Circuit Current(isc)	1.37 A	1.40 A
Max. Power Voltage(Vmax)	17.5 V	17.5 V
Max. Power Current(imax)	1.50 A	1.54 A
Temp Coefficiencies Of Isc	20μA/°C/Cell area/C_P	
Temp Coefficiencies Of Voc	-2.2mv/°C/C_S	
Temp Coefficiencies Of Pm	-0.44%/°C	
Cell Efficiency (%)	>15%	
Module Efficiency(%)	>10.5%	
Operating Temperature	-40 to +85°C	

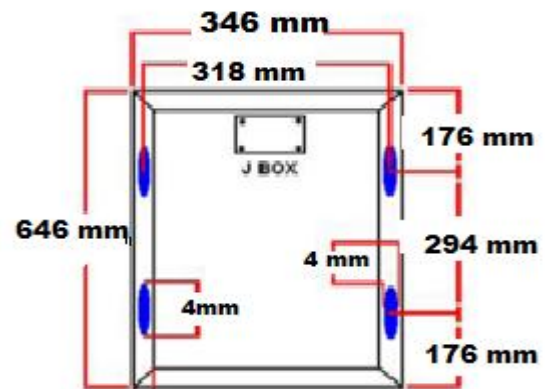
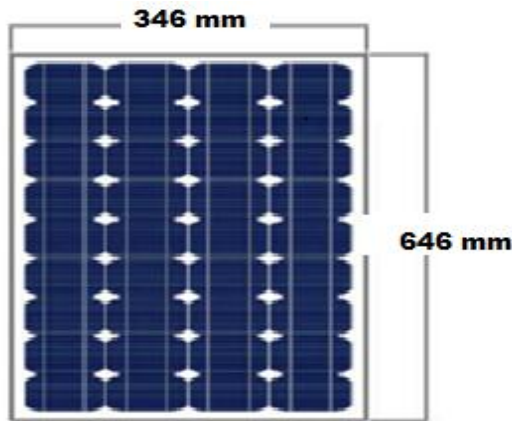
*Conditions:(STC):Irradiance:1000W/m²,spectral distribution AM1.5,Cell temperature:25°C

Features and Benefits

- ❖ Cells are laminated with EVA,TPT and tempered glass ensuring long life and the most stringent safety requirements For High voltage operation.
- ❖ Anodized aluminum frame with convenient mounting slots.
- ❖ Nominal 6VDC/ 12V DC / 20V / 24V DC for standard output.
- ❖ We are specialized in 18, 36, 54, 60, 72 cells solar modules.
- ❖ We are specialized in making black and transparent back-sheet solar module as well.
- ❖ Withstand high wind pressure and snow load.
- ❖ Output power tolerance of ± 3%.
- ❖ High efficiency solar cells.



Module Dimensions



Certification



MNRE
Channel
Partner



* NEASE reserves the right to amend the above specification without prior notice.

NEETY EURO-ASIA SOLAR ENERGY

B/4/1 GIDC Electronics Estate Sector - 25 Gandhinagar - 382024 Gujarat , India

Tel : +91-79-23287395,23287396 Fax : +91-79-23287394

Email: sales@nease.in & info@nease.in

Web Site: www.nease.in