

For a Free Quote:

Web: **EnergyPal.com/solar**

Call: **1-800-990-3725**

Email: **contact@energypal.com**

EnergyPal

Solar Panel Guide Specification Data Sheet

ANJI Technology Co., Ltd.

AJP-M648 190-215

195

Also available on the web at
EnergyPal.com/ANJI-technology-co-ltd-solar-panels/195

AJP-M648 Series 190W-215W Multi-Crystalline Photovoltaic Modules

Electrical Performance @ STC^{*1}

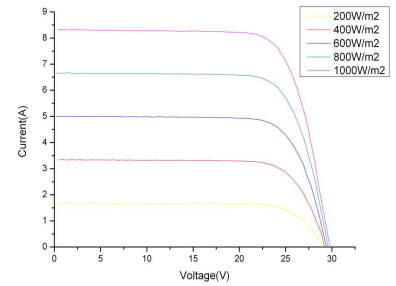
Maximum Power	Pmax[W]	190	195	200	205	210	215
Power Tolerance ^{*2}		+/-3%	+/-3%	+/-3%	+/-3%	+/-3%	+/-3%
Solar Cell Type		Multi-crystalline 6" (156 x 156 mm)					
Number of Solar Cells		48 (6 x 8)					
Maximum Power Voltage	Vmp[V]	23.8	24.08	24.41	24.74	25.07	25.35
Maximum Power Current	Imp[A]	7.98	8.1	8.19	8.29	8.38	8.48
Open Circuit Voltage	Voc[V]	29.85	30.04	30.28	30.53	30.82	31.02
Short Circuit Current Isc	Isc[A]	8.49	8.66	8.81	8.95	9.09	9.24
Module Efficiency	[%]	14.5%	14.9%	15.3%	15.7%	16.0%	16.4%

*1 STC: Irradiance level 1000 W/m²; Spectral AM1.5; Temperature 25°C

*2 Power tolerance can be adjusted upon requests

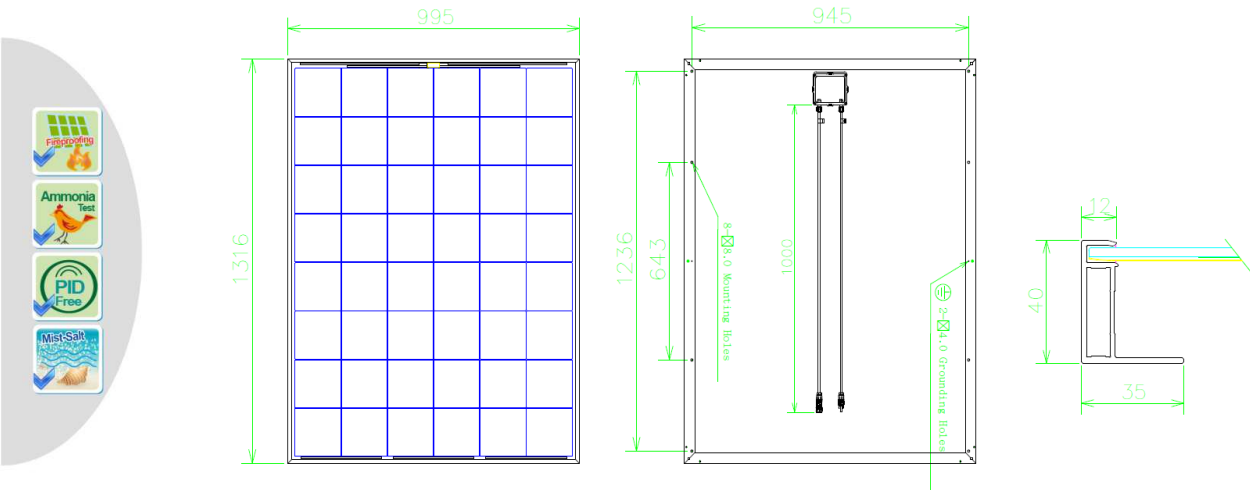
*3 NOCT: 46±2°C

IV Curve



Mechanical Characteristics

Dimensions of the Module (W×H×D)(mm)	1316×995×40
Weight of the Module(kg)	16.5
Junction box	IP 65 / 67 with 3 bypass diodes ; cables 1M/φ 4mm ²
Series fuse rating Inside Junction Box	15A



Warranty

Product Warranty:

5 years for material and workmanship

Performance Guarantee:

90% for 10 years Guaranteed output

80% for 25 years Guaranteed output

Working Condition

Maximum System Voltage: 600V, 1000V

Operating Temperature: -40 ~ 85°C

Maximum Static Load: Snow load 5400pa

Wind load 2400pa

Temperature Coefficient

Isc Temperature Coefficient: α (%/°C) +0.08

Voc Temperature Coefficient: β (%/°C) -0.34

Pmax Temperature Coefficient: γ (%/°C) -0.43

Certificate

