

**For a Free Quote:**

**Web: [EnergyPal.com/solar](http://EnergyPal.com/solar)**

**Call: 1-800-990-3725**

**Email: [contact@energypal.com](mailto:contact@energypal.com)**

# **EnergyPal**

## **Solar Panel Guide Specification Data Sheet**

**PV Solarsys, s.r.o.**

**PP 2XX-3BB**

**2XX-3BB-220**

Also available on the web at  
[EnergyPal.com/pv-solarsys-s-r-o-solar-panels/2xx-3bb-220](http://EnergyPal.com/pv-solarsys-s-r-o-solar-panels/2xx-3bb-220)



## Multicrystalline Solar Module PP 2XX-3BB

### — High-quality solar modules

Within 60cells and 3 bypass diodes in powerclasses of 215 Wp to 245 Wp for grid connected systems.

### — Reliable

The high quality level of PV SOLARSYS guarantees a long life-time and high earnings.

### — Solid

Aluminium hollow-chamber frame on each side combined with low-iron, tempered solar-glass ensures a very high mechanical capacitance.

### — Performance guarantee

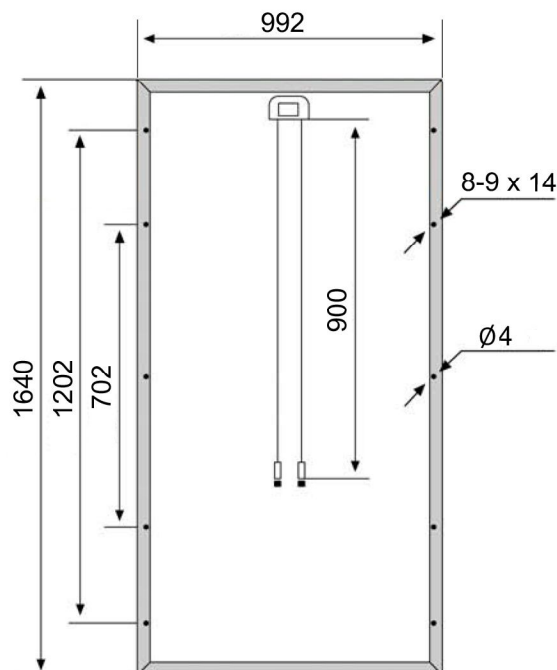
PV SOLARSYS give a power guarantee of 90% of nominal power output for 12 years and 80% for 30 years.

### — Certificates

IEC 61215 edition 2  
IEC 61730 UL MCS

## Specifications

<b>Dimensions</b>	1640mm x 992mm x 45mm
<b>Weight</b>	19,5 kg
<b>Frame</b>	Aluminium hollow-chamber frame on each side
<b>Glass</b>	Low-iron toughened glass
<b>Cells</b>	60 pcs multicrystalline Si-cells (156 x 156 mm)
<b>Cell Embedding</b>	EVA
<b>Back-Foil</b>	TPT/TPE/BBF
<b>Junction Box</b>	With Tuv certified
<b>Cable</b>	4 mm <sup>2</sup> solar-cabel 2 x 900 mm
<b>Temperature-Range</b>	- 40°C ... + 85°C
<b>Power-Guarantee</b>	12 Years 90 %, 30 Years 80 %



## Electrical Characteristics

Type <b>PP 2XX-3BB</b>	<b>215</b>	<b>220</b>	<b>225</b>	<b>230</b>	<b>235</b>	<b>240</b>	<b>245</b>
<b>Power-Class</b>	215W	220W	225W	230W	235W	240W	245W
<b>Max. Power Voltage (<math>U_{mpp}</math>)<sup>*</sup> at STC<sup>**</sup></b>	29.2V	29.5V	29.8V	30.1V	30.3V	30.5V	30.7V
<b>Max. Power Current (<math>I_{mpp}</math>) at STC</b>	7.33A	7.46A	7.55A	7.64A	7.75A	7.86A	7.97A
<b>Open Circuit Voltage (<math>U_{oc}</math>) at STC</b>	34.7V	35.1V	35.5V	35.8V	36.0V	36.2V	36.4V
<b>Short Circuit Current (<math>I_{sc}</math>) at STC</b>	7.91A	8.05A	8.15A	8.25A	8.37A	8.48A	8.69A

- \* MPP:Maximum Power Point
- \*\* STC(Standard Test Conditions): 1000W/m<sup>2</sup>,25°C,AM 1.5
- \*\*\* Normal Operating Cell Temperature

<b>Max. System Voltage</b>	1000V/DC
<b>Temperature-Coefficient <math>I_{sc}</math></b>	1.7mA/°C
<b>Temperature-Coefficient <math>U_{oc}</math></b>	-142 mV/°C
<b>Temperature-Coefficient <math>P_{mpp}</math></b>	-0.76W/°C
<b>NOCT<sup>***</sup></b>	45°C

### PV Solarsys s.r.o.

044 42 Rozhanovce, SNP 6  
Slovak Republic

www.pvsolarsys.sk  
info@pvsolarsys.sk

**Tel.:** +421 55 3112 270  
**Fax:** +421 55 3112 215

