

**For a Free Quote:**

Web: [EnergyPal.com/solar](http://EnergyPal.com/solar)

Call: 1-800-990-3725

Email: [contact@energypal.com](mailto:contact@energypal.com)

# **EnergyPal**

## **Solar Panel Guide Specification Data Sheet**

**RECOM-Sillia  
60M\_295-305W (Plus)  
60M305**

Also available on the web at  
[EnergyPal.com/recom-sillia-solar-panels/60m305](http://EnergyPal.com/recom-sillia-solar-panels/60m305)

# RECOM - SILLIA

French Manufacturer of Photovoltaic Modules

Series 60P: 265 to 285 Wp "Plus"

Series 60P: 250 to 270 Wp

Series 60M: 265 to 285 Wp "Plus"

Series 60M: 295 to 305 Wp "Plus"

Series 72P: 315 to 335 Wp "Plus"

Series 72P: 300 to 325 Wp

Series 72M: 355 to 380 Wp "Plus"

Series 72M: 315 to 335 Wp

## Let the sun work for you



### Quality

Certification ISO 9001  
Holder of the mark "Certisolis"



### Components

Certified suppliers  
Strict criteria for the selection of cells (Europe and Asia)  
Anti reflective glass, MC4 Type connectors  
Silver white and full black modules



### Product

IEC 61215 and 61730 parts I and II  
Load resistance -5400 pa  
Hail impact resistance class 4  
Max voltage 1500V (optional)



### Warranty

Product: 12 years  
1 year: Poly (98,5%),  
Poly "Plus"/Mono (97,5%), Mono "Plus" (97%)  
10 years at 90%, 25 years at 80% (linear)



### Environment

Controlled carbon footprint  
PV-Cycle member  
OHSAS 18001 and ISO 14001



### Environment

Class 250-380Wp -0/+4,99Wp  
Poly or Mono cells  
60 or 72 cells per module

This document has been written according to the EN 50380-2003 standard



Production video



## Series 60M: Monocrystalline modules 60 cells

Electrical Performance STC <sup>(1)</sup>		60M295	60M300	60M305
<b>P<sub>MPP</sub></b>	[W]	295	300	305
<b>Module Efficiency</b>	[%]	17,95	18,25	18,56
<b>V<sub>MPP</sub></b>	[V]	31,86	32,04	32,21
<b>I<sub>MPP</sub></b>	[A]	9,26	9,37	9,48
<b>V<sub>OC</sub></b>	[V]	39,05	39,23	39,42
<b>I<sub>CC</sub></b>	[A]	9,69	9,78	9,86

Electrical Performance NOCT <sup>(2)</sup>		60M295	60M300	60M305
<b>P<sub>MPP</sub></b>	[W]	215	219	223
<b>V<sub>MPP</sub></b>	[V]	29,09	29,25	29,41
<b>I<sub>MPP</sub></b>	[A]	7,41	7,50	7,58
<b>V<sub>OC</sub></b>	[V]	36,04	36,21	36,39
<b>I<sub>CC</sub></b>	[A]	7,81	7,88	7,95

Electrical Performance Low Irradiation <sup>(3)</sup>		60M295	60M300	60M305
<b>P<sub>MPP</sub></b>	[W]	56,6	57,5	58,5

Tolerance measurements may vary to +/-2.5%

Classification type: 0 / + 5Wc or customized

(1) Values corrected according to standardized test conditions STC: solar irradiance of 1000W/m<sup>2</sup>; AM 1.5; cell temperature 25°C.

(2) Values corrected according to test conditions NOCT: solar irradiance of 800 W / m<sup>2</sup>; AM 1.5, NOCT cell temperature.

(3) Corrected values according to low irradiation test conditions: solar irradiance of 200 W / m<sup>2</sup>; AM 1.5; cell temperature 25°C.

Given the continuous evolution of our products, these values are indicative and subject to modifications without prior information.

Thermal coefficients	
<b>Coeff. / I<sub>CC</sub></b>	+ 0,04 % / °K
<b>Coeff. / V<sub>OC</sub></b>	- 0,31 % / °K
<b>Coeff. / P<sub>MPP</sub></b>	- 0,41 % / °K
<b>NOCT: 45°C</b>	

Connection conditions	
<b>Protection class II, IP 65</b>	<b>Maximum Voltage: 1000V</b>
<b>Operating temperature: -40°C / +85°C</b>	
<b>Reverse current max: 15 A</b>	
<b>Fuse series: 15 A</b>	

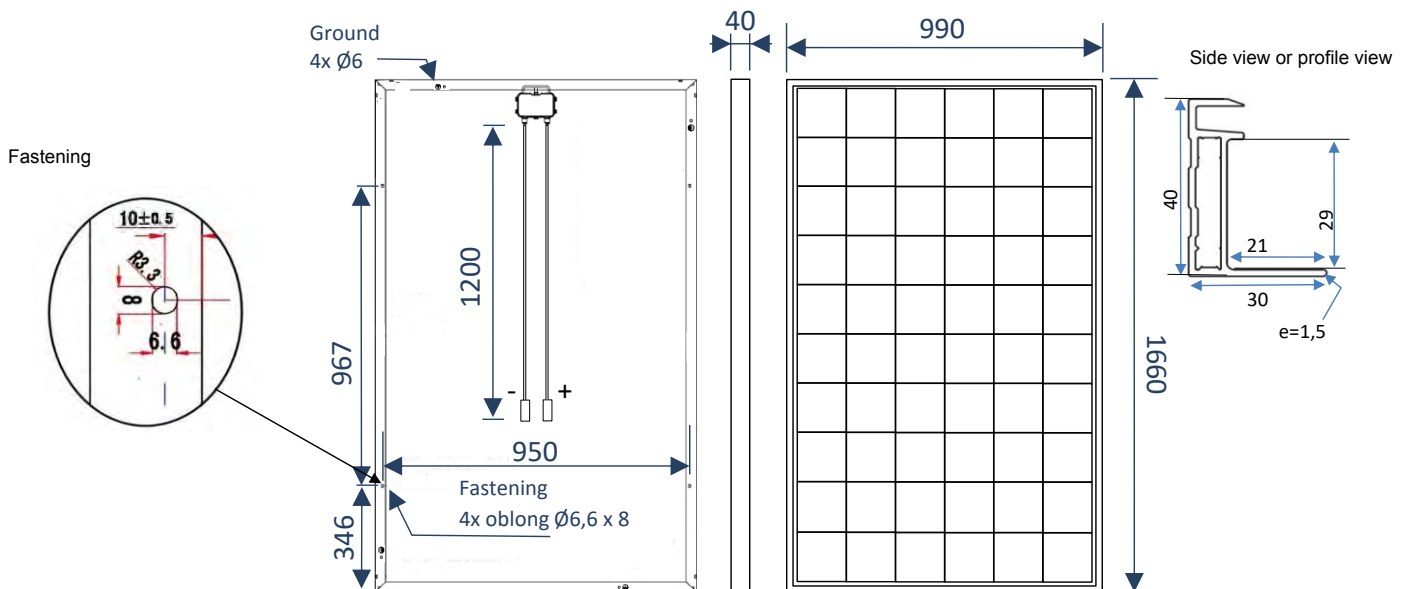


\*refer also to the installation instructions

### Technical data and dimensions

**Frame:** Aluminium anodized  
**Front side:** Tempered glass (EN12150)  
**Backsheet:** PET synthetic film  
**Weight of the module:** 18 kg

**Junction box:** IP65, 3 bypass diodes  
**Cells:** Monocrystalline silicon 6 "  
**Connectors:** MC4 Type



Dimensions in mm  
 Solar panel orientation: portrait or landscape\*

dimensional tolerance +/- 1 mm

### Please select upon placing an order

- |                                 |  |   |
|---------------------------------|--|---|
| <b>Color Backsheet / Frame:</b> | <input type="checkbox"/> White / Aluminum          | <input type="checkbox"/> Black / Black                        |
| <b>Connectors:</b>              | <input type="checkbox"/> MC4 compatible (standard) | <input type="checkbox"/> Multicontact MC4                     |
| <b>Type of Glass:</b>           | <input type="checkbox"/> Anti-reflective 3,2mm     | <input type="checkbox"/> Near airport use, thickness 4 mm (1) |
- (1) Module weight: 20kg