

For a Free Quote:

Web: EnergyPal.com/solar

Call: 1-800-990-3725

Email: contact@energypal.com

EnergyPal

Solar Panel Guide Specification Data Sheet

**Jiangsu Guoyang Photoelectric Technology Co.,
Ltd.**

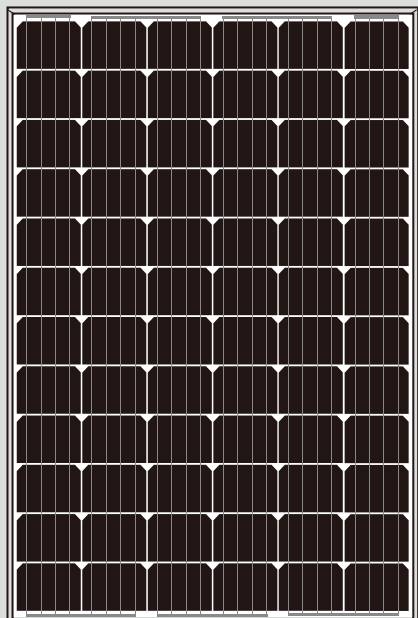
6M-250-260

6M-260

Also available on the web at
EnergyPal.com/jiangsu-guoyang-photoelectric-technology-co-ltd-solar-panels/6m-260

MONOCRYSTALLINE
SILICON MODULE

GSUNpower
WWW.GSUNP.COM



6M-250 6M-260

MONOCRYSTALLINE SILICON MODULE

Products Characteristics



Widely using of the most popular and mature type of modules for on-grid system.



Leading manufacturing technology in PV industry, strictly controlling the quality of raw materials and the process of producing



100% EL inspection, ensures modules are defects free.



Cells binned by current to improve module performance



Anti reflective glass. Not only to increase the light absorption, but also to make the module has the function of self-cleaning in water environment, effectively reducing the power loss caused by dust.



Outstanding performance in low-light irradiance environments.



Excellent mechanical load resistance: Certified to withstand high wind loads(2400pa) and snow loads(5400pa).



High salt and ammonia resistance



Positive power tolerance:0~+5w



0260



10 years
products
warranty

25 year
power output
warranty

Add: CuiBei Industrial Park, Henglin Town, Wujin District, Changzhou City, Jiangsu Province, China.

Tel: +86-519-85260699

Fax: +86-519-85260299

Email: info@gsunp.com

Web Side: www.gsunp.com

Warranty

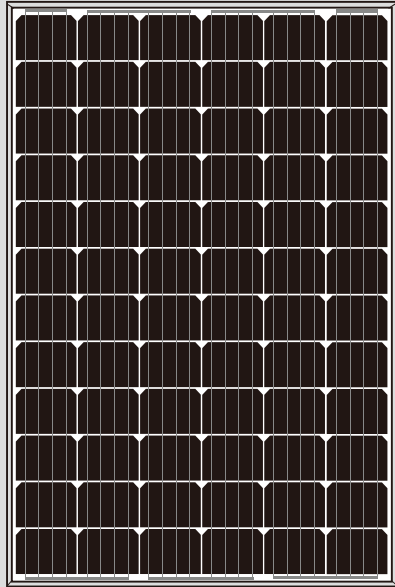
- 10 years product warranty
- 10-years 90% of Min. rated output power, and 25-years 80% of Min. rated output power warranty

Comprehensive Certificates

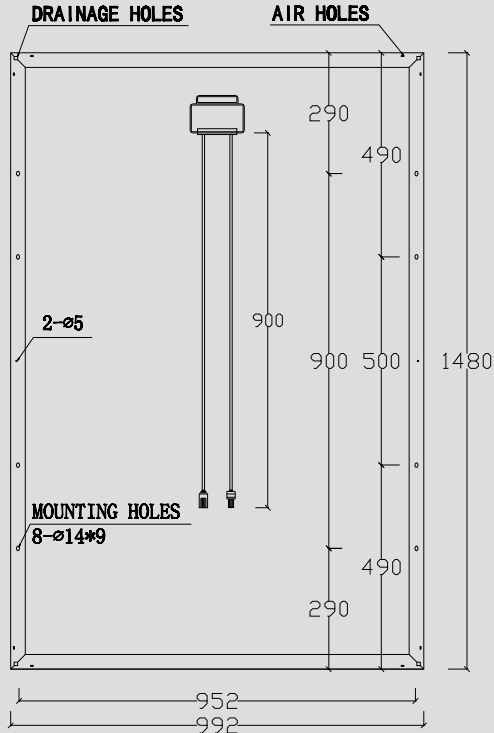
- ISO Certificate
- SGS-TUV Certificate
- CQC Certificate
- IEC61215、IEC61730 Certificate
- CE Certificate

Specifications subject to technology and test conditions, GSUN Power reserves the right of final interpretation

Engineering Drawings (Front Side)



Engineering Drawings (Back Side)



Add: CuiBei Industrial Park, Henglin Town, Wujin District, Changzhou City, Jiangsu Province, China.

Tel: +86-519-85260699
 Fax: +86-519-85260299
 Email: info@gsunp.com
 Web Site: www.gsunp.com

Raw materials and Mechanical Parameters

	6M-250	6M-260
Type of Cells(mm)	mono156 × 117	
NO. of Cells and Connections	6 × 12=72	
Dimensions(mm)(L*W*H)	1480 × 992 × 35/40	
Weight(kg)	16.2/16.5	
Glass	3.2mm Tempered Glass	
Encapsulation	EVA	
Backsheet	Multilayer Composite	
Aluminium-Frame	Silvery/Black Anodized aluminium alloy	
Junction-Box	IP65/IP67	
Cable	4mm ² , 900mm	
Connector	MC4 and MC4 Compatible	
Package Configuration	30/26pcs/pallet	

Performance Parameters

	6M-250	6M-260
Maximum System Voltage	1000V	
Operating Temperature	-45~+80°C	
Maximum Series Fuse	10A	
Maximum Static Load, Front Side (e.x. Snow, Wind)	5400Pa	
Maximum Static Load, Back Side (e.x. Wind)	2400Pa	
Application Grade	Class A	

Electrical Parameters (Standard Test Condition)

	6M-250	6M-260
Rated Maximum Power(Mp)	250W	260W
Power Tolerance	0- +5W	
Cell Efficiency	19.2%	19.8%
Open Circuit Voltage(Voc)	46.2V	46.7V
Maximum Power Voltage(Vmp)	37.4V	37.9V
Short Circuit Current(Isc)	7.08A	7.28A
Maximum Power Current(Imp)	6.68A	6.87A
Temperature Coefficient of Isc	+0.06%	
Temperature Coefficient of Voc	-0.32%	
Temperature Coefficient of Pmp	-0.45%	
Standard Test Condition	Irradiance: 1000W/M2, Cell Temperature: 25°C, Spectrum AM: 1.5	

The Electrical Parameters of the module are the average theory figure under the standard test condition, each one exists difference. Can not be treated as the basis of module delivery.