

For a Free Quote:

Web: EnergyPal.com/solar

Call: 1-800-990-3725

Email: contact@energypal.com

EnergyPal

Solar Panel Guide Specification Data Sheet

Rocsolar New Energy Co., Ltd.

6P-170-190

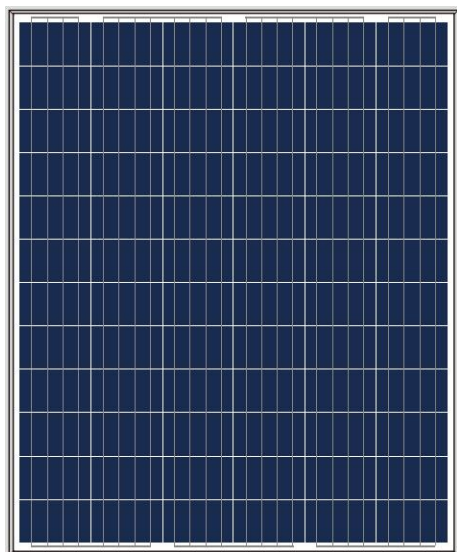
6P-170

Also available on the web at
EnergyPal.com/rocsolar-new-energy-co-ltd-solar-panels/6p-170



POLYCRYSTALLINE SILICON MODULE 180W

----- 6P-170 6P-180 6P-190



Products Characteristics

- Widely using of the most popular and mature type of modules for off-grid system.
- Leading manufacturing technology in PV industry, strictly control the quality of raw materials and the process of producing.
- EL 100% EL inspection, ensures modules are defects free.
- Cells binned by current to improve module performance.
- Anti-reflection glass. Not only to increase the light absorption, but also to make the module has the funtion of self-cleaning in water environment, effectively reducing the power loss caused by dust.
- Outstanding performance in low-light irradiance environments.
- Excellent mechanical load resistance: Certified to withstand high wind load(2400pa) and snow loads (5400pa).
- High performance of salt and ammonia resistance.
- Positive power tolerance: 0~+5%.

Warranty

- 10years products warranty.
- 10 years 90%、25 years 80% output power warranty.

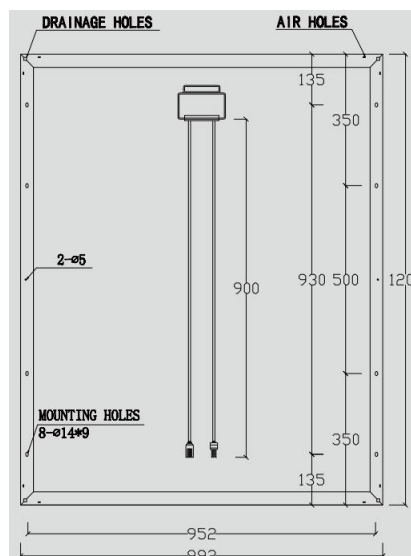
PRODUCTS CERTIFICATION

- ISO9001:2008: ISO Quality management systems
- IEC61215、IEC61730
- CQC Certificate
- CE Certificate
- SGS-TUVCertificate

Raw materials and mechanical para.



	6P-170	6P-180	6P-190
Solar cell dimension (mm)	Poly crystalline 156X93.6mm		
Solar cell quantity (pcs)	6X12=72		
Module dimension (mm)	1200X992X35/40		
Module weight (kg)	13.6/13.8		
Glass	3.2mm Tempered Glass		
Encapsulation	EVA		
Backsheet	Multilayer composite		
Aluminium-frame	Silver/black Anodized aluminium alloy		
Junction box	IP65/IP67		
Cable	4mm ² ,900mm		
Connector	MC4 or MC4 Compatible		
Package configuration	30/26pcs/pallet		



Engineering Drawing (Back Side)

Performance parameters

	6P-170 6P-180 6P-190
Maximum system voltage	1000V
Operating temperature	-45°C-+80°C
Maximum series fuse	10A
Maximum static load, front side (e.x. snow, wind)	5400PA
Maximum static load, back side (e.x. wind)	2400PA
Application grade	Class A

Electrical parameters (Standard test condition)

	6P-170	6P-180	6P-190
Rated max. Power(Wp)	170W	180W	190W
Power tolerance		0-+5%	
Cell efficiency	16.40%	17.20%	18.10%
Open circuit voltage	44.8V	45.2V	45.6V
Max. power voltage (Vmp)	36.0V	36.2V	36.4V
Short circuit current (Isc)	5.01A	5.27A	5.53A
Max. power current(Imp)	4.72A	4.97A	5.22A
Temperature coefficient of Isc		+0.06%	
Temperature coefficient of Voc		-0.33%	
Temperature coefficient of Pmp		-0.45%	
Rated max. Power(Wp)	Irradiance: 1000W/M2,、Cell temperature 25°C、Spectrum AM: AM1.5		

The Electrical Parameters of the module are the average theory figure under the standard test condition, each one exists difference. Can not be treated as the basis of module delivery.