

**For a Free Quote:**

Web: [EnergyPal.com/solar](http://EnergyPal.com/solar)

Call: 1-800-990-3725

Email: [contact@energypal.com](mailto:contact@energypal.com)

# EnergyPal

## **Solar Panel Guide Specification Data Sheet**

**Luma Resources**

**8640W**

**8640W**

Also available on the web at  
[EnergyPal.com/luma-resources-solar-panels/8640w](http://EnergyPal.com/luma-resources-solar-panels/8640w)

# 8460 Watts SYSTEM



## 144 HIGH EFFICIENCY POLYCRYSTALLINE BUILDING INTEGRATED PHOTOVOLTAIC SOLAR SHINGLES



### LUMA RESOURCES SOLAR SHINGLE (LRSS)

A solar roofing system designed for steep sloped applications, where the solar shingles are the roof. Custom flashing frames the system and transitions the solar shingles into other roofing products. Underneath the solar shingle there is space for air flow and wire harnessing.

#### SYSTEM INCLUDES

- 144 Solar Shingles with quick connectors
- Inverter with online monitoring
- Wire harness & electrical diagram
- Easy grounding with ground wire & diagram
- Flashing; allows any other surrounding roof
- Transition box

#### SPECIFICATIONS IN D.C. WATTS

##### Electrical Performance under Standard Test Conditions (STC)

● 144 LRSS in series: Number of strings	3 of 48	● Max System Voltage	DC 600 V
● Maximum Power (Pmax)	8640 W	● Temperature Coefficient of Voc	-0.34% / °C
● Maximum Power Voltage (Vmp)	387.84 V	● Temperature Coefficient of Isc	0.09% / °C
● Maximum Power Current (Imp)	22.65 A	● Power Temperature Coefficient	-0.37% / °C
● Open Circuit Voltage (Voc)	470.4 V	● Power Tolerance Range	+/- 3%
● Short Circuit Current (Isc)	24.33 A	● Series Fuse (ADC)	15 amp

#### AC INVERTER

##### Sunny Boy Inverter featuring 7000US

● Continuous Output Power (watts)	7000	● AC and DC PV System Disconnect	
● CEC Weighted Efficiency:	96.0%	● Warranty 10 years with an opt for 15 years or 20 years	
● MPP voltage range	250V-480V	● Display: text line / graphic	
● DC nominal range	310 V	● Weight with Disconnect	151 lbs    67.5 kg
● Maximum DC Input Voltage (VOC)	600		

#### FLASHING KIT 86818 or 861212

##### Flashing kit 86818 (8 LRSS wide 18 up the slope)

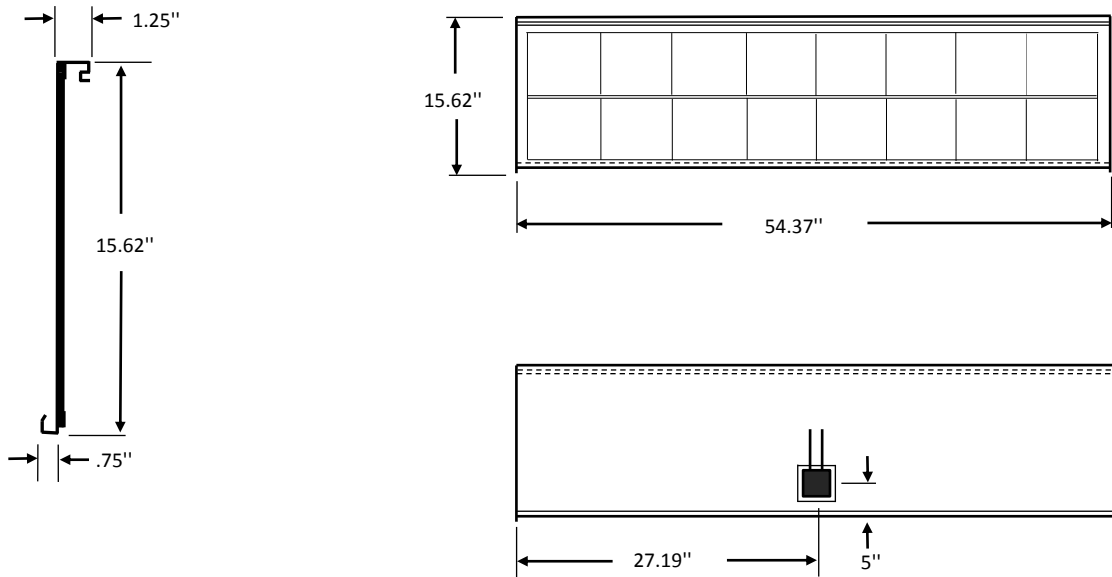
● Width	37.4 ft.	11.4 m
● Height	23.6 ft.	7.19 m
● Area	883 ft. <sup>2</sup>	81.97 m
● Weight with 144 LRSS	3642 lbs	1651 kg

##### Flashing kit 861212 (12 LRSS wide 12 up the slope)

● Width	55.6	16.95m
● Height	16.4 ft.	5 m
● Area	911 ft. <sup>2</sup>	84.7m <sup>2</sup>
● Weight with 144 LRSS	3654 lbs	1651 kg

## PHYSICAL SPECIFICATIONS

# LRSS



## LIMITED WARRANTY

### Product warranty

- 5 Year Limited warranty on materials and workmanship
- 25 Year on Power Output

### Manufacturer's power warranty:

- Coverage on power degradation greater than 90% for 10 years.
- Coverage on power degradation greater than 80% for 25 years.

### The warranties do not cover damages due to:

- Malfunctions or service failures caused by obvious abuse or misuse.
- Power failure surges, lightning, fire, flooding, etc...
- Action of third parties and other events or accidents beyond reasonable control and not occurring under normal operating conditions.

## EXAMPLE OF A 8640 DC WATT KIT



LUMA Resources,LLC.,  
2691 Leach Rd. Rochester Hills, MI. 48309, U.S.A.  
Phone: +1 888 733 5862. Fax: +1 248 852 7122  
[www.lumaresources.com](http://www.lumaresources.com)