

For a Free Quote:

Web: EnergyPal.com/solar

Call: 1-800-990-3725

Email: contact@energypal.com

EnergyPal

Solar Panel Guide Specification Data Sheet

AE Solar

AE M6-72_330-380W (Full Black Optional)

AE M6-72 340W

Also available on the web at
EnergyPal.com/ae-solar-solar-panels/ae-m6-72-340w



Inspiring green-energy since 2003

PERC Technology

AE POWERPLUS MONOCRYSTALLINE PV MODULES AE M6-72 Series 365 W-385W

tested by **Fraunhofer**
CSP

72 CELLS	MICRO-CRACK FREE	PID RESISTANT	SALT CORROSION RESISTANT	SAND RESISTANT	$\frac{NH_3}{S}$ AMMONIA RESISTANT	HIGHLY STABLE AND TOUGH
--------------------	-------------------------	----------------------	---------------------------------	-----------------------	--	--------------------------------

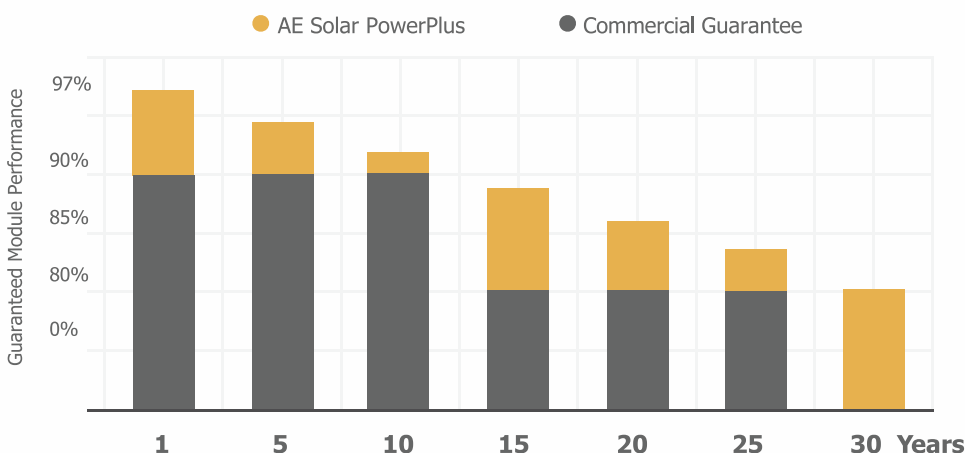
✓ GERMAN QUALITY
AE Solar photovoltaic modules are produced using high quality materials, automated robotic lines, German technology and standards.

+ PLUS-SORTING
Higher yield due to plus-sorting from 0 up to +5 Wp guarantees the high system efficiency and yield stability.

🕒 PERFORMANCE GUARANTEE
AE Solar assures high investment, security and warranty claims by providing linear performance guarantee of 30 years and 12 years of product warranty.

📄 CERTIFICATES
Lining with international standards, AE Solar Photovoltaic modules are tested and certified under extreme stress conditions and it can bear harsh environment influences.

OUR PERFORMANCE GUARANTEE



30
years
Performance Guarantee

12
years
Product Warranty



Deutsche
Qualität
Garantiert

TECHNICAL DATA

AE M6-72 Series 365W-385W

SPECIFICATIONS

		AE365M6-72	AE370M6-72	AE375M6-72	AE380M6-72	AE385M6-72
Nominal Max. Power	Pmax (Wp)	365	370	375	380	385
Maximum power voltage	Vmp(V)	39.58	39.63	39.66	39.71	39.73
Maximum power current	Imp (A)	9.22	9.34	9.46	9.57	9.69
Open-circuit voltage	Voc(V)	47.42	47.48	47.53	47.59	47.81
Short-circuit current	Isc (A)	9.65	9.69	9.75	9.82	9.95
Module efficiency	(%)	18.81	19.07	19.33	19.58	19.84
Power tolerance	Pmax (Wp)	0 / + 5				
Maximum system voltage DC	(V)	1000				
Maximum series fuse rating	(A)	15				
Operating temperature	(°C)	-40 to +85				
Temp. coefficients of Pmax	(%/°C)	-0.38				
Temp. coefficients of Voc	(%/°C)	-0.29				
Temp. coefficients of Isc	(%/°C)	0.05				
Nom. Operating cell temp.(NOCT)	(°C)	45±2				

The electrical data apply to standard test conditions (STC): Irradiance of 1000 W/m² with spectrum AM 1.5 and a cell temperature of 25°C.

MATERIAL CHARACTERISTICS

Cell type	Mono-crystalline 156.75mm x 156.75mm
No. of cells	72 (6 x 12)
Dimensions	1956 x 992 x 40mm
Weight	21 kg
Junction box	IP 67 rated
Output cable	1 x 4.0mm ² , 1200mm length or customised
Connector type	MC 4 / MC 4 compatible
Hail resistance	Max. Ø 28 mm, at 23 m/s
Wind load	2400 Pa / 244 kg/m ²
Mechanical load	5400 Pa / 550 kg/m ²

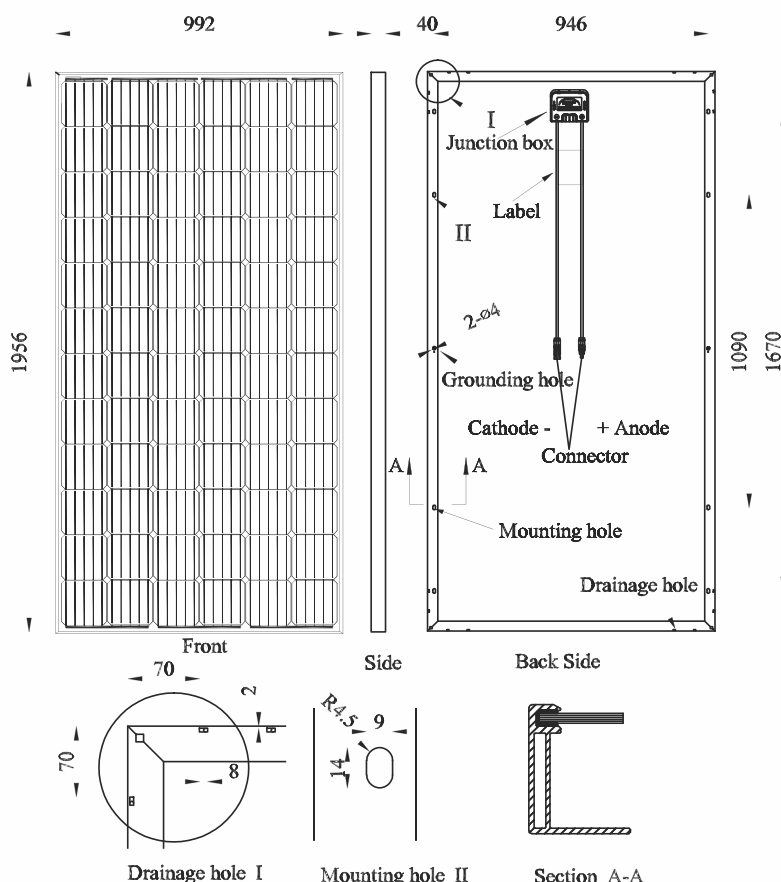
PACKAGING INFORMATION

Packing configuration	56 pcs / double pallet
Loading Capacity	672 pcs / 40HQ
Size / pallet (mm)	1990 x 1120 x 2335
Weight	1300 kg / pallet

CERTIFICATES



DIMENSIONS



AES-DSH2019 V.002
All rights reserved. Specifications included in this data sheet are subject to change without notice.

AE Solar GmbH

Messerschmittring 54
86343 Königsbrunn
Germany

Tel.: +49 8231 92 92 52 2
Fax: +49 8231 97 82 68 9
Email: sales@ae-solar.com
Web: www.ae-solar.com