

For a Free Quote:

Web: EnergyPal.com/solar

Call: 1-800-990-3725

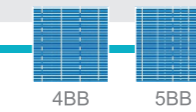
Email: contact@energypal.com

EnergyPal

Solar Panel Guide Specification Data Sheet

**Alfa Solar Energy Inc.
ASE36P 165-175
ASE36P165**

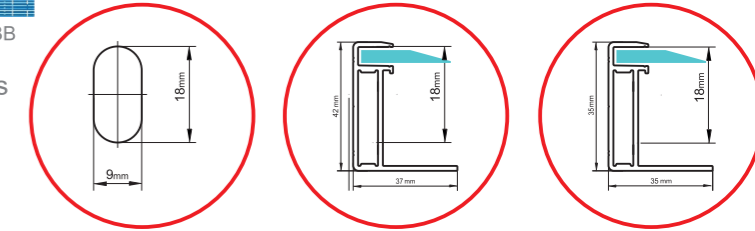
Also available on the web at
EnergyPal.com/alfa-solar-energy-inc-solar-panels/ase36p165



Mounting Slot

Frame

Frame



FRAME CAN BE MANUFACTURED WITH TWO DIFFERENT MEASUREMENT OPTIONS.

Technical Specifications

Electrical Data

MODEL	ASE36P 165	ASE36P 170	ASE36P 175	
P_{max}	Maximum Power	165	170	175
%	Module Efficiency	16,27	16,76	17,25
I_{mp} (A)	Maximum Power Current	8,34	8,54	8,62
I_{sc} (A)	Short Circuit Current	8,87	9,02	9,15
V_{mp} (V)	Maximum Power Voltage	19,34	19,69	19,91
V_{oc} (V)	Open Circuit Voltage	22,94	23,58	23,72

Mechanical Data

Subject	Specification
Dimensions	1494 ± 2 mm (L) x 679 ± 2 mm (W) x 42-35 0,5 mm (D)
Weight	12 Kg
Solar Cell	36 Polycrystalline Type 6" Silicon Cells (156.75 mm x 156.75 mm)
Front Glass	Tempered / Tempered ARC Glass
Encapsuland	Ethylene Vinyl Acetate (EVA)
Backsheet	Composite Film, Color White
Junction Box	With Multicontact / Tyco / Ekinler Certificate
Frame	Aluminium Frame (Eloxal Coating)

Operating Conditions

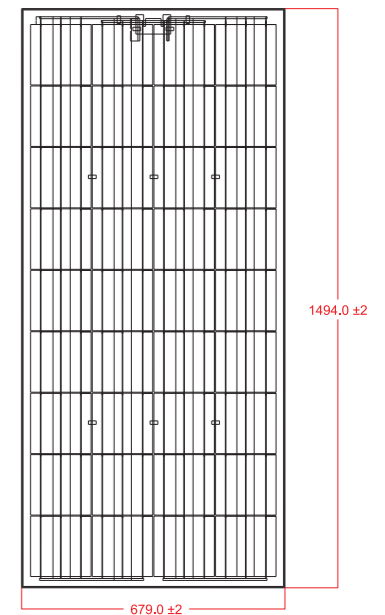
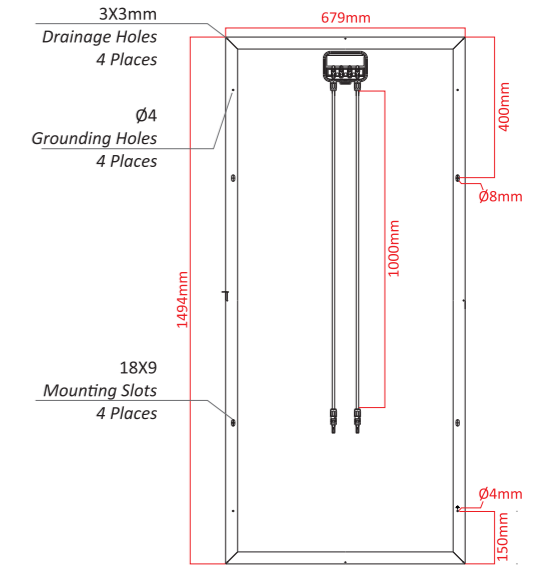
Subject	Specification
Mechanical Strength	5400 Pa (Certified By TUV Rheinland)
Maximum System Voltage	DC 1000 V
Series Fuse Rating	15 A
Operating Temperature	-40 to 85 °C

Temperature Characteristics

Subject	Specification
Nominal Operating Cell Temperature	45 °C ± 2 °C
Temperature Coefficient of α _{sc} (%/°C)	-0,04 % / °C
Temperature Coefficient of β _{Voc} (%/°C)	-0,33 % / °C
Temperature Coefficient of P _{max} γ (%/°C)	-0,45 % / °C
Temperature Coefficient of β _{Vmp} (%/°C)	-0,45 % / °C

Warranty

Subject	Specification
Product Warranty	10 Years
Linear Performance Warranty	10 Years, over %90 - 25 Years, over %80
JIT Product	Warranty of selling panels that are produced in last on year.
Power Tolerance	Positive (+) 5 Watt
Online Datasheet on the panel	QR Code System



Electroluminescence: Quality control for small microcracks with infrared radiation.

Sun Simulator: 1000 W/m² radiation, 25°C temperature, +5 positive power tolerance and classification according to power tolerance.

Salt Mist Test: According to IEC 61701 ed.2 Salt Resistance

Snow Load Test: Under 5400 Pa snow load resistance according to IEC 61215

Ammonia Corrosion Test: Corrosion resistance according to IEC 62716

PID Potential Induced Degradation: Resistance according to IEC 62804

Wind Load Test: Under 5400 Pa wind load resistance according to IEC 61215

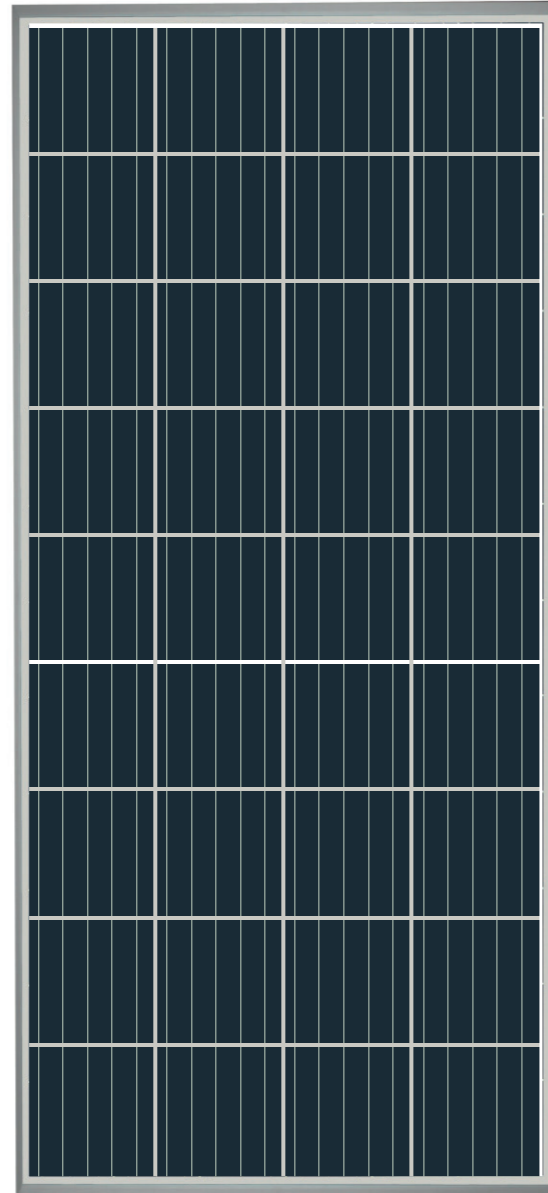
Thermal Cycles Damp Heat Test: 1000 hours damp heat and 200 thermal cycles according to IEC 61215

High Performance in Low Radiation : On cloudy days, morning and evening over %3 performance (200 w/m²)

FF % Fill Factor: High Fill Factor value, increased power.
Cell Power: Five bus bar, with high power.

QR Code System: Real power measurements of modules which have +5 power tolerance ease of viewing with QR Code.

JIT Just in Time Production: Production date is in panels glass, unchangeable and warranty of selling production in that are produced in last one year.

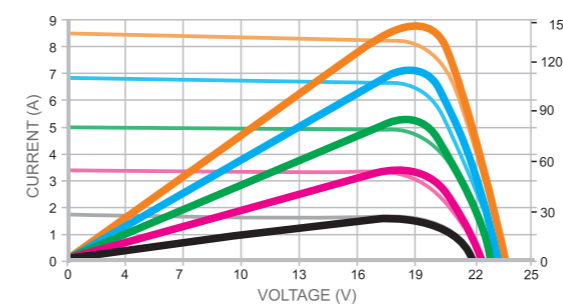


- ISO 9001
- ISO 14001
- ISO 18001
- IEC 61215
- IEC 61730-1
- IEC 61730-2
- IEC 61701
- IEC 62716
- IEC 62804

"LOCAL ITEM" MENTIONED
IN NUMBER 5346 YEK LAW

Turkey
Discover the potential

PID LAMINATION, HIGH GEL CONTENT RATE



The typical relative change in module efficiency at irradiance of 200 W/m² in relation to 1000 W/m² (both at 25 °C and AM 1.5 spectrum) is less than 3 %.

