

For a Free Quote:

Web: **EnergyPal.com/solar**

Call: **1-800-990-3725**

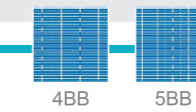
Email: **contact@energypal.com**

EnergyPal

Solar Panel Guide Specification Data Sheet

**Alfa Solar Energy Inc.
ASE48P 215-230
ASE48P215**

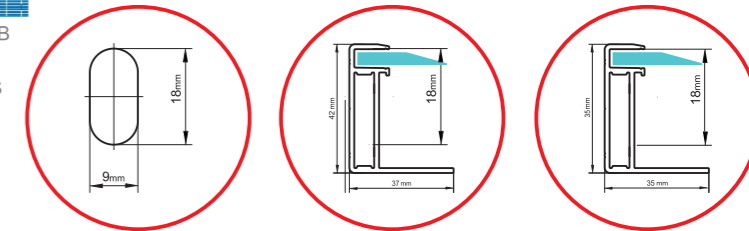
Also available on the web at
EnergyPal.com/alfa-solar-energy-inc-solar-panels/ase48p215



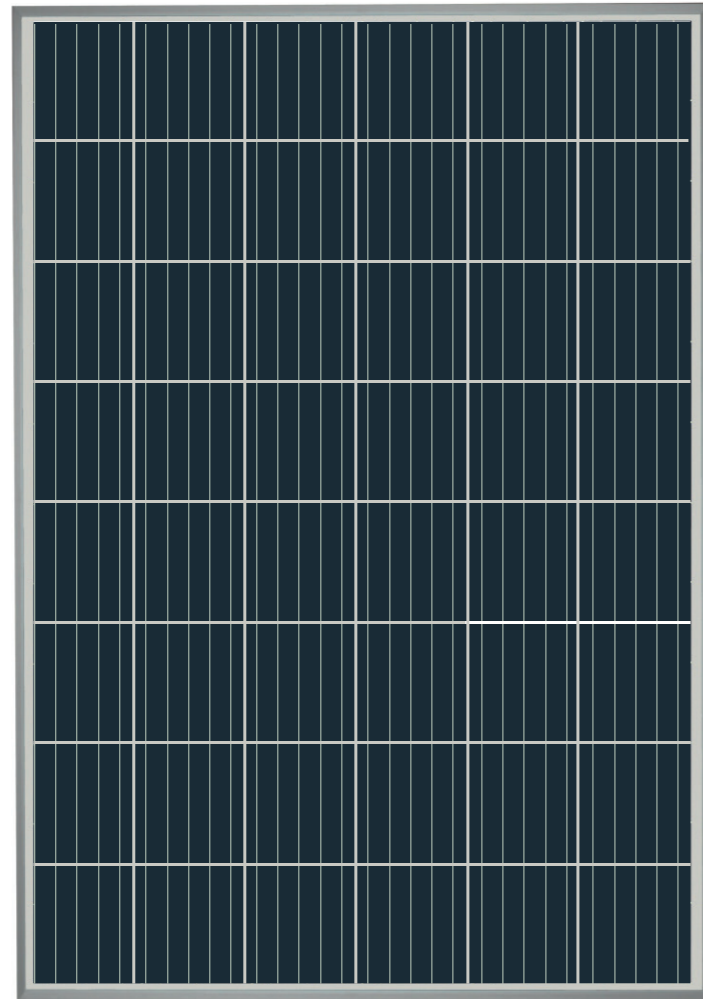
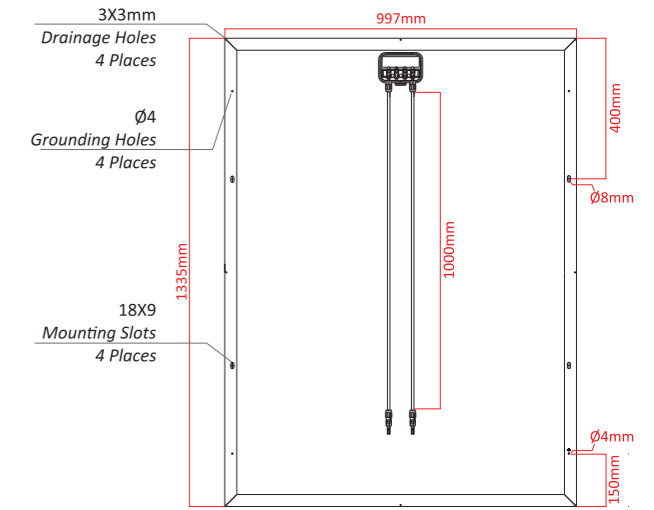
Mounting Slot

Frame

Frame



FRAME CAN BE MANUFACTURED WITH TWO DIFFERENT MEASUREMENT OPTIONS.



Electrical Data

MODEL	ASE48P 215	ASE60P 220	ASE48P 225	ASE48P 230	
P_{max}	Maximum Power	215	220	225	230
%	Module Efficiency	16,15	16,53	16,90	17,28
I_{imp} (A)	Maximum Power Current	8,34	8,50	8,54	8,62
I_{sc} (A)	Short Circuit Current	8,87	9,07	9,02	9,15
V_{mpp} (V)	Maximum Power Voltage	25,78	26,16	26,25	26,54
V_{oc} (V)	Open Circuit Voltage	30,58	31,20	31,44	31,63

Mechanical Data

Subject	Specification
Dimensions	1335 ± 2 mm (L) x 997 ± 2 mm (W) x 42-35 0,5 mm (D)
Weight	17 Kg
Solar Cell	48 Polycrystalline Tip 6" Silicon Cells (156.75 mm x 156.75 mm)
Front Glass	Tempered / Tempered ARC Glass
Encapsulant	Ethylene Vinyl Acetate (EVA)
Backsheet	Composite Film, Color White
Junction Box	With Multicontact / Tyco / Ekinler Certificate
Frame	Aluminium Frame (Eloxal Coating)

Operating Conditions

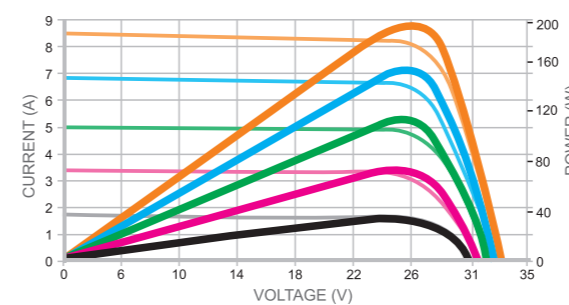
Subject	Specification
Mechanical Strength	5400 Pa (Certified By TUV Rheinland)
Maximum System Voltage	DC 1000 V
Series Fuse Rating	15 A
Operating Temperature	-40 to 85 °C

Temperature Characteristics

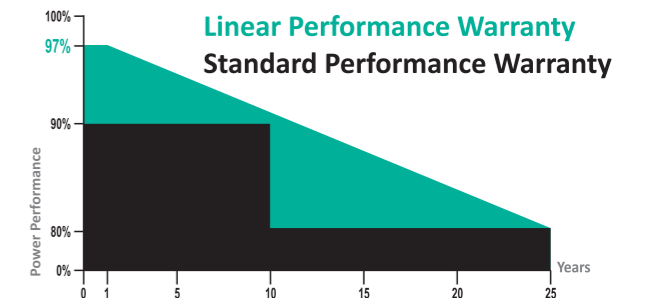
Subject	Specification
Nominal Operating Cell Temperature	45 °C ± 2 °C
Temperature Coefficient of α _{sc} (%/°C)	-0,04 % / °C
Temperature Coefficient of β _{Voc} (%/°C)	-0,33 % / °C
Temperature Coefficient of P _{max} γ (%/°C)	-0,45 % / °C
Temperature Coefficient of β _{Vmp} (%/°C)	-0,45 % / °C

Warranty

Subject	Specification
Product Warranty	10 Years
Linear Performance Warranty	10 Years, over %90 - 25 Years, over %80
JIT Product	Warranty of selling panels that are produced in last on year.
Power Tolerance	Positive (+) 5 Watt
Online Datasheet on the panel	QR Code System



The typical relative change in module efficiency at irradiance of 200 W/m² in relation to 1000 W/m² (both at 25 °C and AM 1.5 spectrum) is less than 3 %.



- Electroluminescence:** Quality control for small microcracks with infrared radiation.
- Sun Simulator:** 1000 W/m² radiation, 25°C temperature, +5 positive power tolerance and classification according to power tolerance.
- Salt Mist Test:** According to IEC 61701 ed.2 Salt Resistance
- Snow Load Test:** Under 5400 Pa snow load resistance according to IEC 61215
- Ammonia Corrosion Test:** Corrosion resistance according to IEC 62716
- PID** **Potential Induced Degradation:** PID Resistance according to IEC 62804
- 5400Pa** **Wind Load Test:** Under 5400 Pa wind load resistance according to IEC 61215
- %200** **Thermal Cycles Damp Heat Test:** 1000 hours damp heat and 200 thermal cycles according to IEC 61215
- High Performance in Low Radiation :** On cloudy days, morning and evening over %3 performance (200 w/m²)
- FF %** **Fill Factor:** High Fill Factor value, increased power. **Cell Power:** Five bus bar, with high power.
- QR KAREKOD** **QR Code System:** Real power measurements of modules which have +5 power tolerance ease of viewing with QR Code.
- JIT** **Just in Time Production:** Production date is in panels glass, unchangeable and warranty of selling production in that are produced in last one year.

- ISO 9001
- ISO 14001
- ISO 18001
- IEC 61215
- IEC 61730-1
- IEC 61730-2
- IEC 61701
- IEC 62716
- IEC 62804

"LOCAL ITEM" MENTIONED
IN NUMBER 5346 YEK LAW

Turkey
Discover the potential

ELIMINATE OF MICROCRACKS