

For a Free Quote:

Web: EnergyPal.com/solar

Call: 1-800-990-3725

Email: contact@energypal.com

EnergyPal

Solar Panel Guide Specification Data Sheet

Jiangsu Aoxuan Photoelectric Technology Co., Ltd.

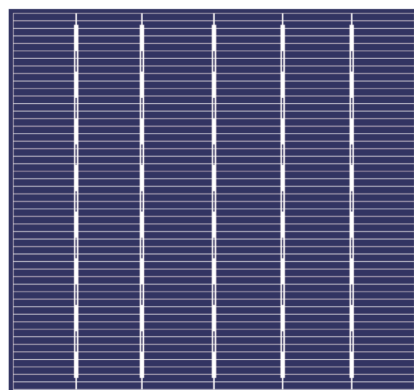
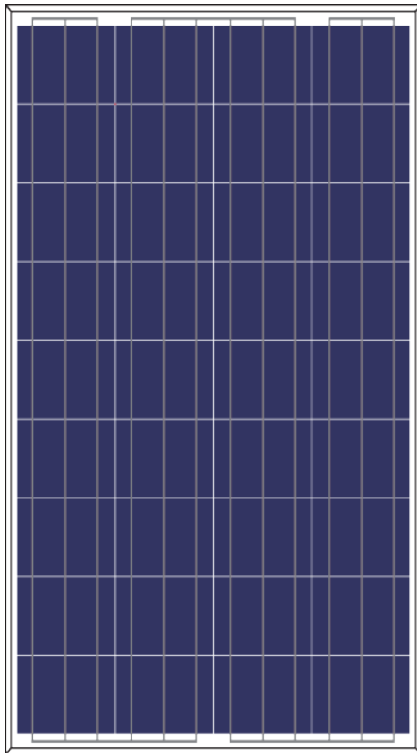
AX-6P-125/130W

AX-6P-125W

Also available on the web at
EnergyPal.com/jiangsu-aoxuan-photoelectric-technology-co-ltd-solar-panels/ax-6p-125w

AX-6P125 AX-6P130

POLYCRYSTALLINE SILICON MODULE



Add: No.215 Jincheng Road, Jincheng Town, Jintan District, Changzhou City, Jiangsu, China.

Tel: +86-519-82550600

Fax: +86-519-82550600

E-mail: sales@aoxuanpv.com

Web: www.aoxuanpv.com

Products Characteristics



Widely using of the most popular and mature type of modules for off-grid system.



Leading manufacturing technology in PV industry, strictly controlling the quality of raw materials and the process of producing



100% EL inspection, ensures modules are defects free.



Cells binned by current to improve module performance



Anti reflective glass. Not only to increase the light absorption, but also to make the module has the function of self-cleaning in water environment, effectively reducing the power loss caused by dust.



Outstanding performance in low-light irradiance environments.



Excellent mechanical load resistance: Certified to withstand high wind loads(2400pa) and snow loads(5400pa).



High salt and ammonia resistance



Positive power tolerance: 0~+5w

Warranty

- 5 years product warranty
- 10-years 90% of Min. rated output power, and 25-years 80% of Min. rated output power warranty

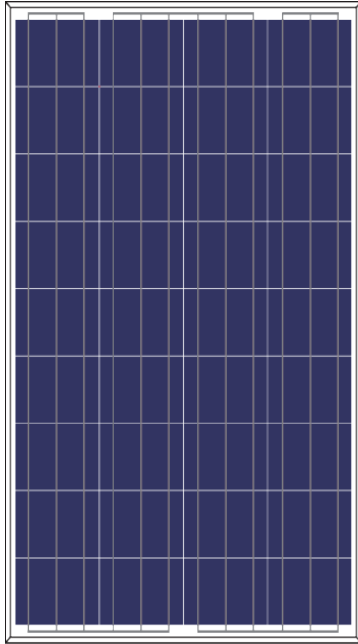
Comprehensive Certificates

- ISO 9001:2008: Quality management systems
- IEC61215、IEC61730
- CQC Certificate
- CE Certificate
- SGS-TUV Certificate

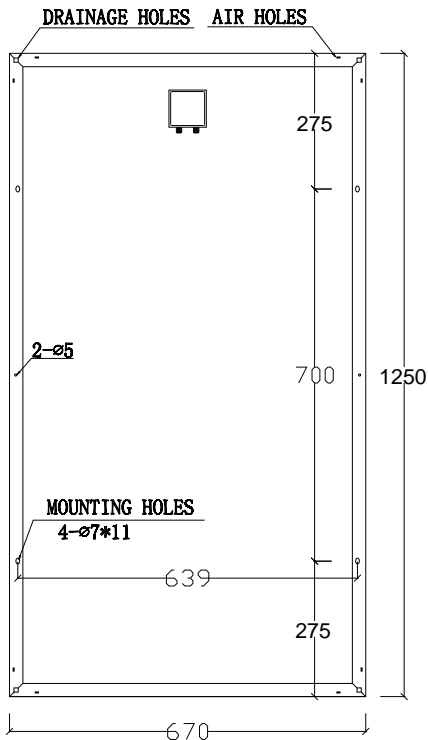


Specifications subject to technology and test conditions, Aoxuan Solar reserves the right of final interpretation

▼ Engineering Drawings (Front Side)



▼ Engineering Drawings (Back Side)



Add: No.215 Jincheng Road, Jincheng Town, Jintan District, Changzhou City, Jiangsu, China.
Tel: +86-519-82550600
Fax: +86-519-82550600
E-mail: sales@aoxuanpv.com
Web: www.aoxuanpv.com

Raw materials and Mechanical Parameters

AX-6P125 AX-6P130	
Type of Cells(mm)	poly156.75 × 130 /156.75×65
NO. of Cells and Connections	4 × 9=36/4 × 18=72
Dimensions(mm)(L*W*H)	1250 × 670 × 35
Weight(kg)	8.5
Glass	3.2mm Tempered Glass
Encapsulation	EVA
Backsheet	Multilayer Composite
Aluminium-Frame	Silvery/Black Anodized aluminium alloy
Junction-Box	IP65/IP67
Cable	NA, but customized is acceptable
Connector	NA, but MC4 and MC4 Compatible are acceptable
Package Configuration	4pcs/ctn

Performance Parameters

AX-6P125 AX-6P130	
Maximum System Voltage	700V
Operating Temperature	-45~+80°C
Maximum Series Fuse	10A
Maximum Static Load, Front Side (e.x. Snow, Wind)	5400PA
Maximum Static Load, Back Side (e.x. Wind)	2400PA
Application Grade	Class A

Electrical Parameters (Standard Test Condition)

AX-6P125 AX-6P130		
Rated Maximum Power(Mp)	125W	130W
Power Tolerance	0- +5W	
Cell Efficiency	17.20%	17.90%
Open Circuit Voltage(Voc)	22.6V	22.1V
Maximum Power Voltage(Vmp)	17.8V	17.2V
Short Circuit Current(Isc)	7.43A	8.01A
Maximum Power Current(Imp)	7.02A	7.56A
Temperature Coefficient of Isc	+0.06%	
Temperature Coefficient of Voc	-0.33%	
Temperature Coefficient of Pmp	-0.45%	
Standard Test Condition	Irradiance:1000W/M2, Cell Temperature:25°C, Spectrum AM:1.5	

The Electrical Parameters of the module are the average theory figure under the standard test condition, each one exists difference. Can not be treated as the basis of module delivery.