

**For a Free Quote:**

**Web: [EnergyPal.com/solar](http://EnergyPal.com/solar)**

**Call: 1-800-990-3725**

**Email: [contact@energypal.com](mailto:contact@energypal.com)**

# **EnergyPal**

## **Solar Panel Guide Specification Data Sheet**

**Jiangsu Aoxuan Photoelectric Technology Co., Ltd.**

**AX-6P-180/190W**

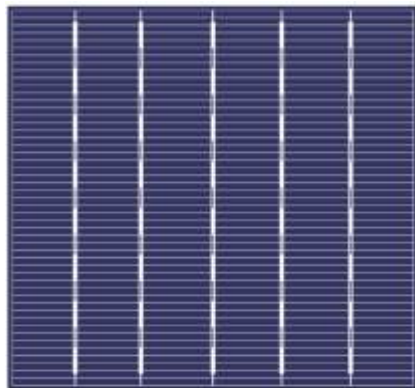
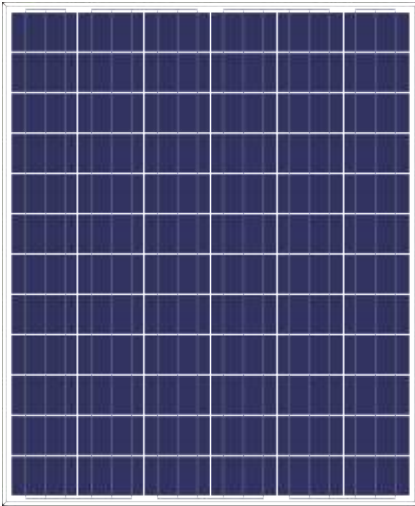
**AX-6P-180W**

Also available on the web at

[EnergyPal.com/jiangsu-aoxuan-photoelectric-technology-co-ltd-solar-panels/ax-6p-180w](http://EnergyPal.com/jiangsu-aoxuan-photoelectric-technology-co-ltd-solar-panels/ax-6p-180w)

# AX-6P180 AX-6P190

## POLYCRYSTALLINE SILICON MODULE



### Products Characteristics



Widely using of the most popular and mature type of modules for off-grid system.



Leading manufacturing technology in PV industry, strictly controlling the quality of raw materials and the process of producing



100% EL inspection, ensures modules are defects free.



Cells binned by current to improve module performance



Anti reflective glass. Not only to increase the light absorption, but also to make the module has the function of self-cleaning in water environment, effectively reducing the power loss caused by dust.



Outstanding performance in low-light irradiance environments.



Excellent mechanical load resistance: Certified to withstand high wind loads(2400pa) and snow loads(5400pa).



High salt and ammonia resistance



Positive power tolerance: 0~+5w

### Warranty

- 5 years product warranty
- 10-years 90% of Min. rated output power, and 25-years 80% of Min. rated output power warranty

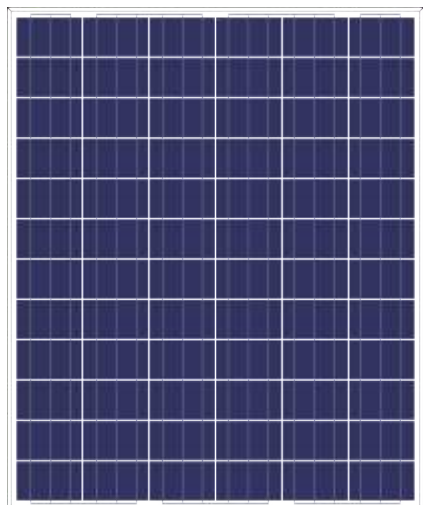
### Comprehensive Certificates

- ISO 9001:2008: Quality management systems
- IEC61215、IEC61730
- CQC Certificate
- CE Certificate
- SGS-TUV Certificate

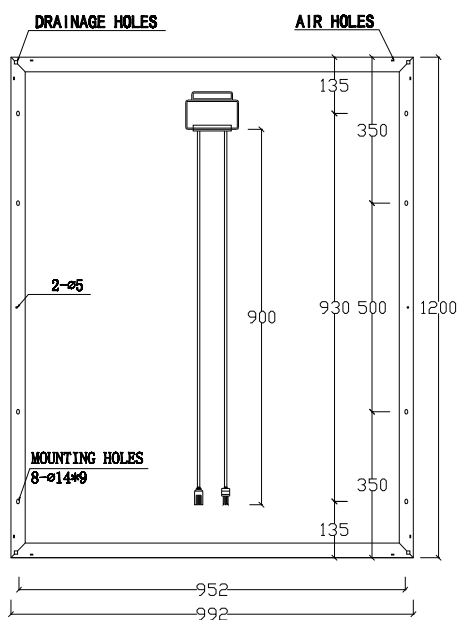


Add: No.215 Jincheng Road, Jincheng Town, Jintan District, Changzhou City, Jiangsu, China.  
 Tel: +86-519-82550600  
 Fax: +86-519-82550600  
 E-mail: sales@aoxuanpv.com  
 Web: www.aoxuanpv.com

▼ Engineering Drawings (Front Side)



▼ Engineering Drawings (Back Side)



Add: No.215 Jincheng Road, Jincheng Town, Jintan District, Changzhou City, Jiangsu, China.  
 Tel: +86-519-82550600  
 Fax: +86-519-82550600  
 E-mail: sales@aoxuanpv.com  
 Web: www.aoxuanpv.com

## Raw materials and Mechanical Parameters

	AX-6P180	AX-6P190
Type of Cells(mm)	poly156.75 × 93.6	
NO. of Cells and Connections	6 × 12=72	
Dimensions(mm)(L*W*H)	1200 × 992 × 35	
Weight(kg)	13.9	
Glass	3.2mm Tempered Glass	
Encapsulation	EVA	
Backsheet	Multilayer Composite	
Aluminium-Frame	Silvery/Black Anodized aluminium alloy	
Junction-Box	IP65/IP67	
Cable	4mm <sup>2</sup> , 900mm	
Connector	MC4 and MC4 Compatible	
Package Configuration	25pcs/pallet	

## Performance Parameters

	AX-6P180	AX-6P190
Maximum System Voltage	1000V	
Operating Temperature	-45~+80℃	
Maximum Series Fuse	10A	
Maximum Static Load, Front Side (e.x. Snow, Wind)	5400PA	
Maximum Static Load, Back Side (e.x. Wind)	2400PA	
Application Grade	Class A	

## Electrical Parameters (Standard Test Condition)

	AX-6P180	AX-6P190
Rated Maximum Power(Mp)	180W	190W
Power Tolerance	0~ +5W	
Cell Efficiency	17.40%	18.00%
Open Circuit Voltage(Voc)	45.6V	44.6V
Maximum Power Voltage(Vmp)	35.2V	34.8V
Short Circuit Current(Isc)	5.49A	5.83A
Maximum Power Current(Imp)	5.12A	5.46A
Temperature Coefficient of Isc	+0.06%	
Temperature Coefficient of Voc	-0.33%	
Temperature Coefficient of Pmp	-0.45%	
Standard Test Condition	Irradiance: 1000W/M <sup>2</sup> , Cell Temperature: 25℃, Spectrum AM: 1.5	

The Electrical Parameters of the module are the average theory figure under the standard test condition, each one exists difference. Can not be treated as the basis of module delivery.