

For a Free Quote:

Web: EnergyPal.com/solar

Call: 1-800-990-3725

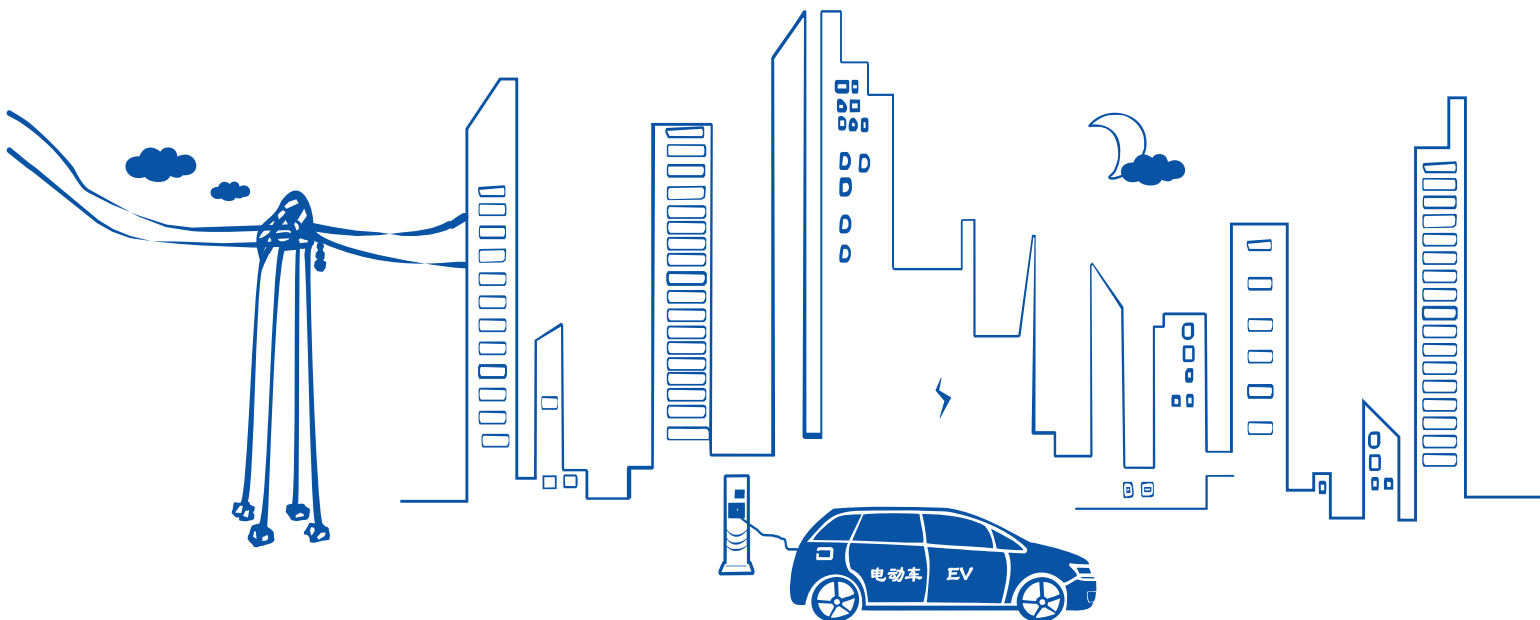
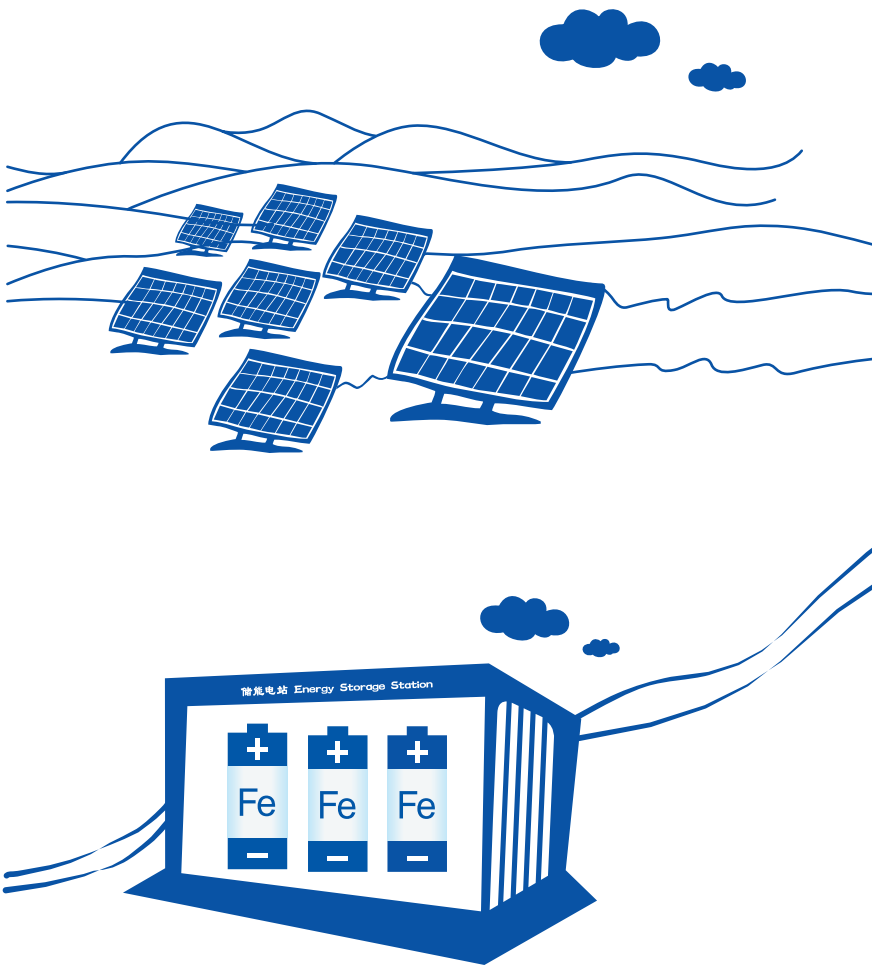
Email: contact@energypal.com

EnergyPal

Solar Panel Guide Specification Data Sheet

**BYD Company Limited
BYD MHK-36-5BB
BYD380MHK-36**

Also available on the web at
EnergyPal.com/byd-company-limited-solar-panels/byd380mhk-36



BYD's Dream All Human Hope

Changing human dependence on non-renewable energy as the starting point, with three green dreams of electric vehicle, energy storage station and solar farm, BYD looks forward to helping more countries and people to get rid of fossil energy over consumption crisis and environmental pollution, and strive to leave offspring a beautiful and clean world to live in.



In the daytime, solar panels capture solar energy like plants. At night, energy storage station transports the stored energy, like solar energy, wind energy, tidal energy, to thousands of families smoothly.

The electric vehicle, shuttling on the streets and lanes, is of zero emission, zero pollution.

Is this a dream?

This is the green dream of BYD and even all human beings.

Is this a dream?

No. We are already seeing it approaching us.





21.8%

Average cell efficiency up to 21.8%
Excellent optical performance

0-5W

Power tolerance 0-5W
Reliability for output performance

10
Years

10 years for product
25 years linear Warranty

Grid

Residential roof top systems
On/Off-grid commercial systems
On/Off-grid utility systems

3rd

Design loads: 3600 Pa for positive
(downward) and 1600 Pa for
negative (upward)

Safety factors Ym: 1.5

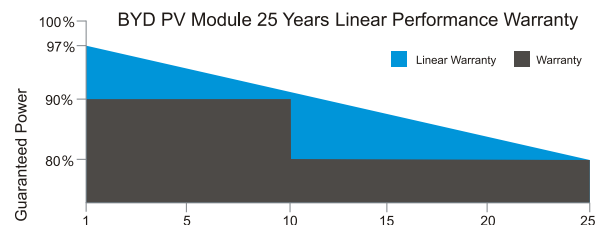
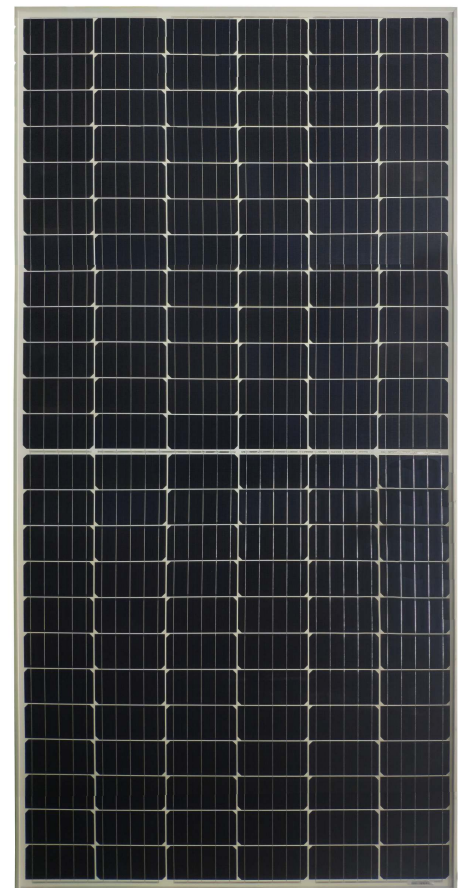
Certification

IEC61215-1(ed.1)
IEC61215-1-1(ed.1)
IEC61215-2(ed.1)
IEC61730-1(ed.2)
IEC61730-2(ed.2)

BYD

Monocrystal Silicone Modules

BYD MHK-36-5BB 360W-390W

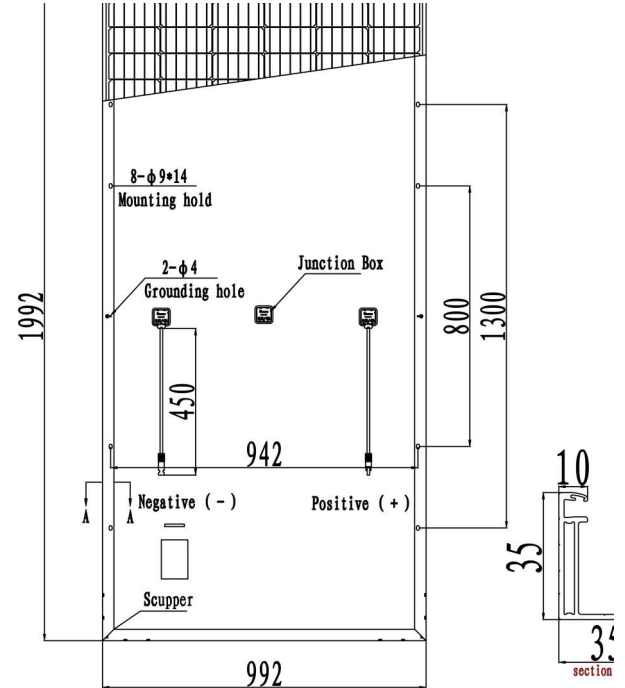


BYD MHK-36-5BB 360W-390W

The country of manufacture is China

Mechanical Properties

Cell Type	156.75mm*78.40mm
Number of Cells	144 (12 × 12) pcs
Dimension	1992mm*992mm*35mm
Weight	22.3Kg
Front/Glass	3.2 mm tempered glass with AR Coating
Frame	Anodized aluminum alloy
Junction Box	IP67(3 Diodes)
Cable Type	4.0mm ² *450mm
Connector	PV-ZH202B



Temperature Coefficient

Temp. Coeff. of Pmax (TK Pmax)	-0.328%/°C
Temp. Coeff. of Voc (TK Voc)	-0.254%/°C
Temp. Coeff. of Isc (TK Isc)	0.041%/°C

Packing Information

Packing Type	40' HQ
Piece/Pallet	30
Pallet/Container	22
Piece/Container	660

Electrical Properties

Module Type	BYD360MHK-36	BYD365MHK-36	BYD370MHK-36	BYD375MHK-36	BYD380MHK-36	BYD385MHK-36	BYD390MHK-36
Open Circuit Voltage (Voc) (V)	47.03 V±5%	47.28 V±5%	47.51 V±5%	47.72 V±5%	47.95 V±5%	48.17 V±5%	48.39 V±5%
Short Circuit Current (Isc) (A)	9.75 A±5%	9.84 A±5%	9.93 A±5%	10.02 A±5%	10.11 A±5%	10.20 A±5%	10.29 A±5%
MPP Voltage (Vmp)(V)	39.14 V	39.33 V	39.55 V	39.74 V	39.94 V	40.14 V	40.34 V
MPP Current (Imp) (A)	9.21 A	9.29 A	9.37 A	9.45 A	9.53 A	9.61 A	9.69 A
Operating Temperature (°C)	-40°C~+85°C						
Maximum System Voltage (V)	1500 VDC						
Maximum Series Fuse Rating (A)	15A						
Fire safety	Class C						
Power tolerance	0-5W						

* Under Standard Test Conditions (STC) of irradiance of 1000 W/m², spectrum AM 1.5 and cell temperature of 25°C.

NOCT

	264Wp	268Wp	272Wp	275Wp	279Wp	284Wp	288Wp
Open Circuit Voltage (Voc) (V)	43.50 V	43.70 V	43.90 V	44.10 V	44.30 V	44.50 V	44.80 V
Short Circuit Current (Isc) (A)	7.89 A	7.96 A	8.03 A	8.11 A	8.18 A	8.25 A	8.32 A
MPP Voltage (Vmp)(V)	36.00 V	36.10 V	36.30 V	36.50 V	36.60 V	36.80 V	36.90 V
MPP Current (Imp) (A)	7.39 A	7.46 A	7.52 A	7.59 A	7.66 A	7.73 A	7.80 A

BYD COMPANY LIMITED.

ADD: Yan An Road, Kuichong, Longgang, 518119 Shenzhen, PEOPLE'S REPUBLIC OF CHINA