

For a Free Quote:

Web: EnergyPal.com/solar

Call: 1-800-990-3725

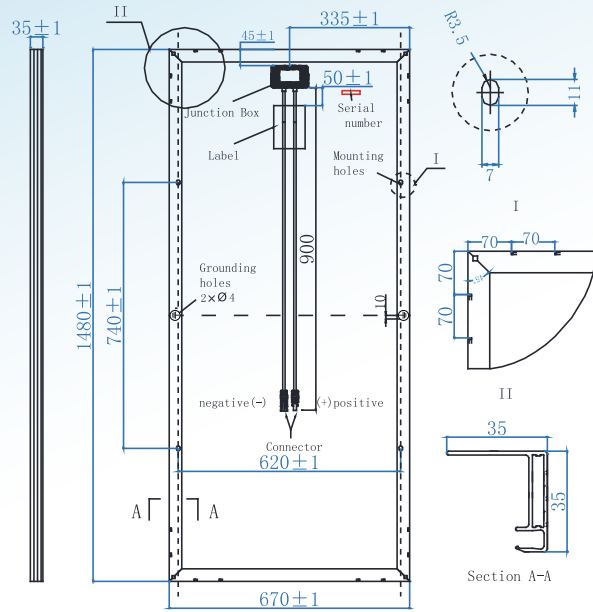
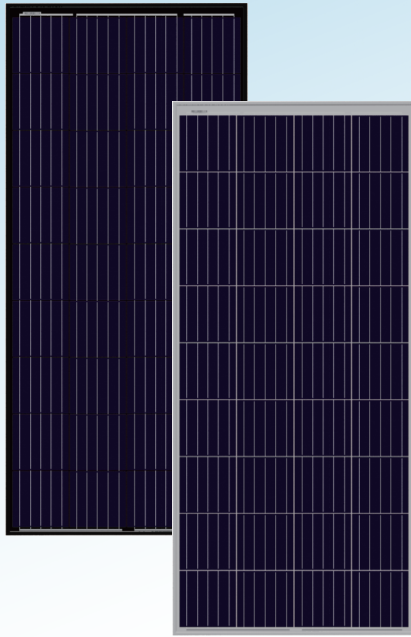
Email: contact@energypal.com

EnergyPal

Solar Panel Guide Specification Data Sheet

**Changzhou Daily Energy Co., Ltd.
Poly 140-165W
DS-1556-36**

Also available on the web at
EnergyPal.com/changzhou-daily-energy-co-ltd-solar-panels/ds-1556-36



DS-165P6-36

Poly-Crystalline Solar Module
140-165 Watt 6inch 36cells



Unique cell design with 5 bus-bar for higher efficiency and module stability



Excellent low light performance
On cloudy days, mornings and evenings



PID Free Module
Anti-PID material
Anti-PID cell technology



0 to +3% positive tolerance



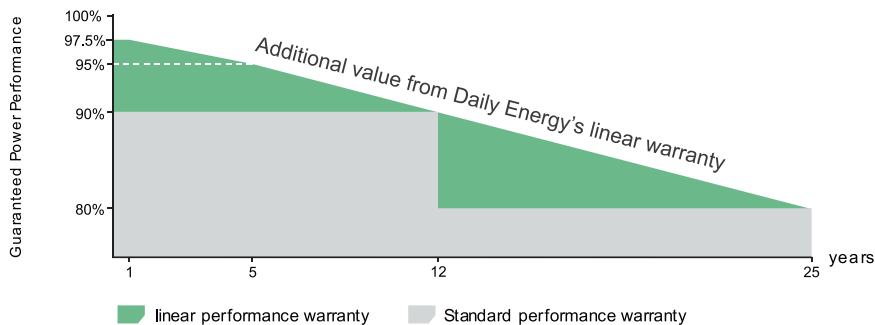
High conversion efficiency
High module efficiency to guarantee power output



Wind load of up to 2400Pa and heavy snow load of up to 5400Pa

LINEAR PERFORMANCE WARRANTY

- ※ 10 years for product defects in materials and workmanship
- ※ 12 years for 90% of warranted minimum power output
- ※ 25 years for 80% of warranted minimum power output



ELECTRICAL PERFORMANCE

All specified Parameters are at STC 25°C Ambient, 1000W/m² irradiance and AM 1.5

Type		DS-140P6-36	DS-145P6-36	DS-150P6-36	DS-155P6-36	DS-160P6-36	DS-165P6-36
Power Output	Pmax(W)	140	145	150	155	160	165
Power Output Tolerance	Pmax(%)	0~+3	0~+3	0~+3	0~+3	0~+3	0~+3
Max-Power Voltage	Vmp(V)	18.45	18.69	18.84	19.02	19.24	19.46
Max-Power Current	Imp(A)	7.59	7.76	7.96	8.15	8.32	8.48
Open-Circuit Voltage	Voc(V)	23.46	23.79	24.01	24.25	24.33	24.57
Short-Circuit Current	Isc(A)	8.03	8.21	8.43	8.61	8.87	9.04
Cell Efficiency	(%)	16.30	16.90	17.50	18.00	18.60	19.20
Module Efficiency	(%)	14.10	14.60	15.10	15.60	16.10	16.60

THERMAL CHARACTERISTICS

Nominal Operating Cell Temperature	NOCT(°C)	45±2
Temperature Coefficients of Pmax	(%/°C)	-0.420
Temperature Coefficients of Voc	(%/°C)	-0.304
Temperature Coefficients of Isc	(%/°C)	0.040

OPERATING CONDITIONS

Maximum System Voltage (VDC)	1000V(IEC)
Maximum Series Fuse (A)	15
Operating Temperature (°C)	-40~+85
Maximum Load(snow/wind)	5400pa/2400pa

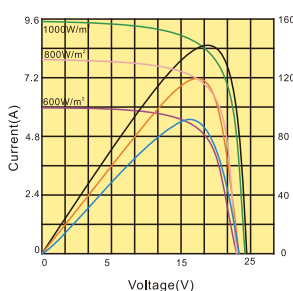
MECHANICAL CHARACTERISTICS

Solar cells(type/dimension)	Poly-Crystalline Silicon/156mm*156mm
Cells number	36pcs(4*9)
Front cover(material/thickness)	Low iron tempered glass/3.2mm
Backsheet(color)	White
Frame(material/color)	Anodized aluminum alloy/Silver
Junction box(protection degree)	≧ IP65
Cables/Plug Connector	Diameter 4mm ² , Length 900mm/MC4 or MC4 compatible
Module Dimension	1480×670×35mm
Module Weight	12kg

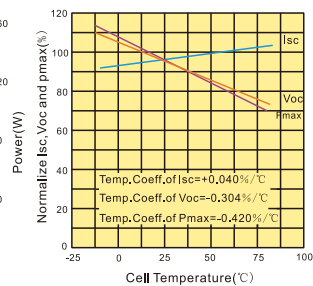
PACKING DETAILS

Container	20'GP	40'HQ
Pieces per pallet	66	80
Pallets per container	7	15
Pieces per container	462	1200

Electrical performance
(cell temperature:25°C)



Temperature dependence of Isc, Voc and pmax



Irradiance dependence of Isc, Voc and pmax cell temperature:25°C

