

For a Free Quote:

Web: EnergyPal.com/solar

Call: 1-800-990-3725

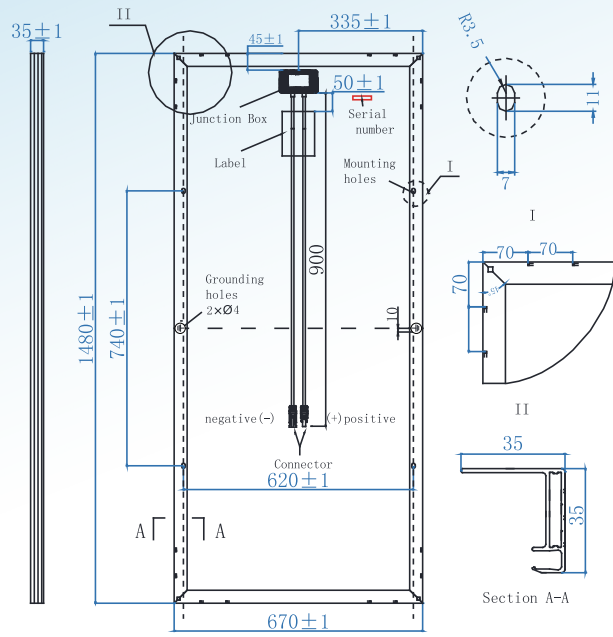
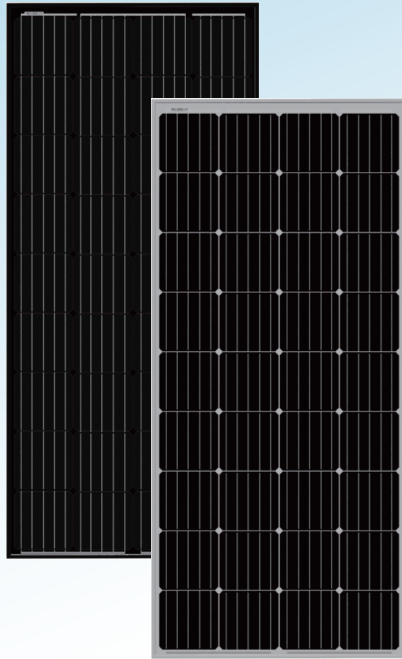
Email: contact@energypal.com

EnergyPal

Solar Panel Guide Specification Data Sheet

**Changzhou Daily Energy Co., Ltd.
Mono 150-180W
DS-160M6-36**

Also available on the web at
EnergyPal.com/changzhou-daily-energy-co-ltd-solar-panels/ds-160m6-36



DS-180M6-36

Mono-Crystalline Solar Module
150-180 Watt 6inch 36cells



Unique cell design with 5 bus-bar for higher efficiency and module stability



Excellent low light performance
On cloudy days ,mornings and evenings



PID Free Module
Anti-PID material
Anti-PID cell technology



0 to +3% positive tolerance



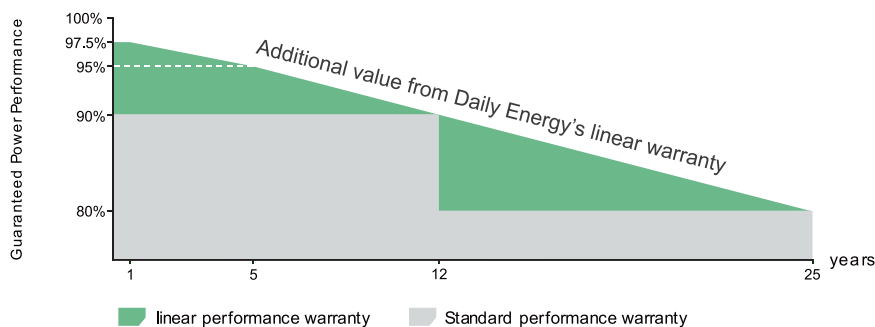
High conversion efficiency
High module efficiency to guarantee power output



Wind load of up to 2400Pa
and heavy snow load of up to 5400Pa

LINEAR PERFORMANCE WARRANTY

- ※ 10 years for product defects in materials and workmanship
- ※ 12 years for 90% of warranted minimum power output
- ※ 25 years for 80% of warranted minimum power output



ELECTRICAL PERFORMANCE

All specified Parameters are at STC 25°C Ambient, 1000W/m² irradiance and AM 1.5

Type		DS-150M6-36	DS-155M6-36	DS-160M6-36	DS-165M6-36	DS-170M6-36	DS-175M6-36	DS-180M6-36
Power Output	P _{max} (W)	150	155	160	165	170	175	180
Power Output Tolerance	P _{max} (%)	0~+3	0~+3	0~+3	0~+3	0~+3	0~+3	0~+3
Max-Power Voltage	V _{mp} (V)	18.11	18.12	18.13	18.14	18.15	18.16	18.17
Max-Power Current	I _{mp} (A)	8.28	8.55	8.83	9.10	9.37	9.64	9.91
Open-Circuit Voltage	V _{oc} (V)	23.14	23.15	23.16	23.17	23.18	23.19	23.20
Short-Circuit Current	I _{sc} (A)	8.69	9.01	9.32	9.54	9.84	9.92	10.23
Cell Efficiency	(%)	17.70	18.30	18.90	19.50	20.10	20.70	21.30
Module Efficiency	(%)	15.10	15.60	16.10	16.60	17.10	17.60	18.20

THERMAL CHARACTERISTICS

Nominal Operating Cell Temperature	NOCT(°C)	45±2
Temperature Coefficients of P _{max}	(%/°C)	-0.438
Temperature Coefficients of V _{oc}	(%/°C)	-0.297
Temperature Coefficients of I _{sc}	(%/°C)	0.037

OPERATING CONDITIONS

Maximum System Voltage	(VDC)	1000V(IEC)
Maximum Series Fuse	(A)	15
Operating Temperature	(°C)	-40~+85
Maximum Load(snow/wind)		5400pa/2400pa

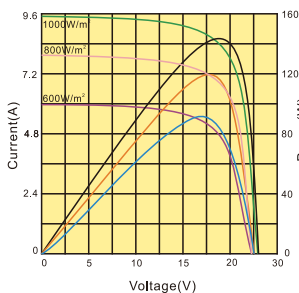
MECHANICAL CHARACTERISTICS

Solar cells(type/dimension)	Mono-Crystalline Silicon/156mm*156mm
Cells number	36pcs(4*9)
Front cover(material/thickness)	Low iron tempered glass/3.2mm
Backsheet(color)	White
Frame(material/color)	Anodized aluminum alloy/Silver
Junction box(protection degree)	≧ IP65
Cables/Plug Connector	Diameter 4mm ² , Length 900mm/MC4 or MC4 compatible
Module Dimension	1480×670×35mm
Module Weight	12kg

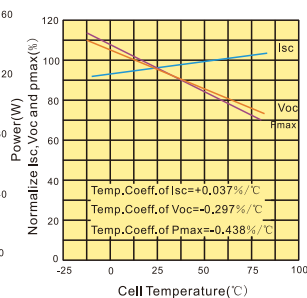
PACKING DETAILS

Container	20'GP	40'HQ
Pieces per pallet	66	80
Pallets per container	7	15
Pieces per container	462	1200

Electrical performance (cell temperature:25°C)



Temperature dependence of I_{sc}, V_{oc} and p_{max}



Irradiance dependence of I_{sc}, V_{oc} and p_{max} cell temperature:25°C

