

For a Free Quote:

Web: **EnergyPal.com/solar**

Call: **1-800-990-3725**

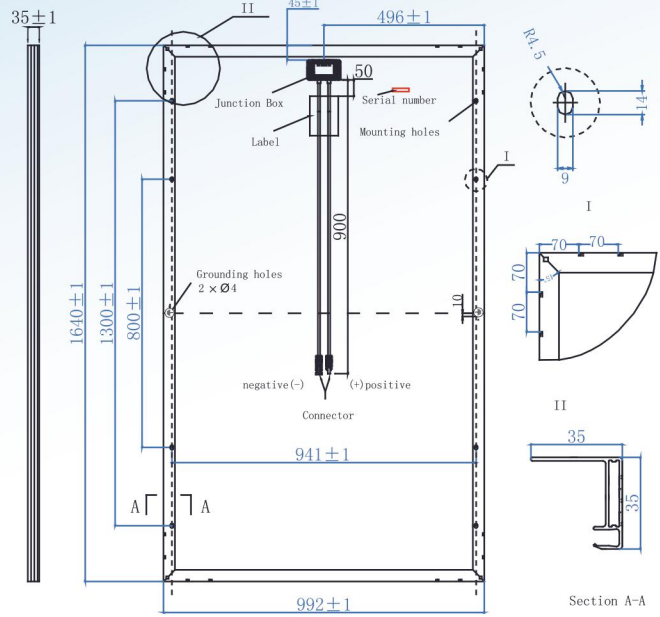
Email: **contact@energypal.com**

EnergyPal

Solar Panel Guide Specification Data Sheet

**Changzhou Daily Energy Co., Ltd.
Mono 280-310W
DS-290M6-60**

Also available on the web at
EnergyPal.com/changzhou-daily-energy-co-ltd-solar-panels/ds-290m6-60



DS-310M6-60

Mono-Crystalline Solar Module
280-310 Watt 6inch 60cells



Unique cell design with 5 bus-bar for higher efficiency and module stability



Excellent low light performance
On cloudy days ,mornings and evenings



PID Free Module
Anti-PID material
Anti-PID cell technology



0 to +3% positive tolerance



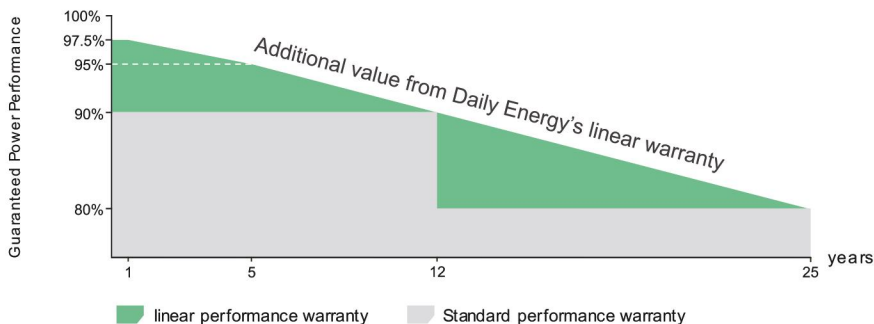
High conversion efficiency
High module efficiency to guarantee power output



Wind load of up to 2400Pa
and heavy snow load of up to 5400Pa

LINEAR PERFORMANCE WARRANTY

- ※ 10 years for product defects in materials and workmanship
- ※ 12 years for 90% of warranted minimum power output
- ※ 25 years for 80% of warranted minimum power output



ELECTRICAL PERFORMANCE

All specified Parameters are at STC 25°C Ambient, 1000W/m² irradiance and AM 1.5

Type		DS-280M6-60	DS-285M6-60	DS-290M6-60	DS-295M6-60	DS-300M6-60	DS-305M6-60	DS-310M6-60
Power Output	Pmax(W)	280	285	290	295	300	305	310
Power Output Tolerance	Pmax(%)	0~+3	0~+3	0~+3	0~+3	0~+3	0~+3	0~+3
Max-Power Voltage	Vmp(V)	31.89	32.06	32.19	32.35	32.50	33.01	33.47
Max-Power Current	Imp(A)	8.78	8.89	9.01	9.12	9.23	9.24	9.26
Open-Circuit Voltage	Voc(V)	38.51	38.67	38.83	39.01	39.18	39.47	40.13
Short-Circuit Current	Isc(A)	9.54	9.66	9.78	9.84	9.96	10.04	10.13
Cell Efficiency	(%)	19.90	20.20	20.60	20.90	21.30	21.60	22.00
Module Efficiency	(%)	17.20	17.50	17.80	18.10	18.40	18.70	19.10

THERMAL CHARACTERISTICS

Nominal Operating Cell Temperature	NOCT(°C)	45±2
Temperature Coefficients of Pmax	(%/°C)	-0.438
Temperature Coefficients of Voc	(%/°C)	-0.297
Temperature Coefficients of Isc	(%/°C)	0.037

OPERATING CONDITIONS

Maximum System Voltage	(VDC)	1000V(IEC)
Maximum Series Fuse	(A)	15
Operating Temperature	(°C)	-40~+85
Maximum Load(snow/wind)		5400pa/2400pa

MECHANICAL CHARACTERISTICS

Solar cells(type/dimension)	Mono-Crystalline Silicon/156mm*156mm
Cells number	60pcs(6*10)
Front cover(material/thickness)	Low iron tempered glass/3.2mm
Backsheet(color)	White
Frame(material/color)	Anodized aluminum alloy/Silver
Junction box(protection degree)	≧ IP65
Cables/Plug Connector	Diameter 4mm ² , Length 900mm/MC4 or MC4 compatible
Module Dimension	1640×992×35mm
Module Weight	19kg

PACKING DETAILS

Container	20'GP	40'HQ
Pieces per pallet	60	66
Pallets per container	6	14
Pieces per container	360	924

