

**For a Free Quote:**

Web: [EnergyPal.com/solar](http://EnergyPal.com/solar)

Call: 1-800-990-3725

Email: [contact@energypal.com](mailto:contact@energypal.com)

# EnergyPal

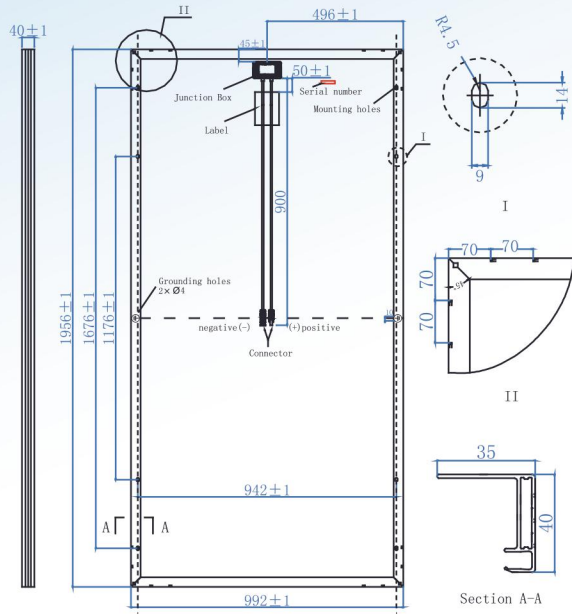
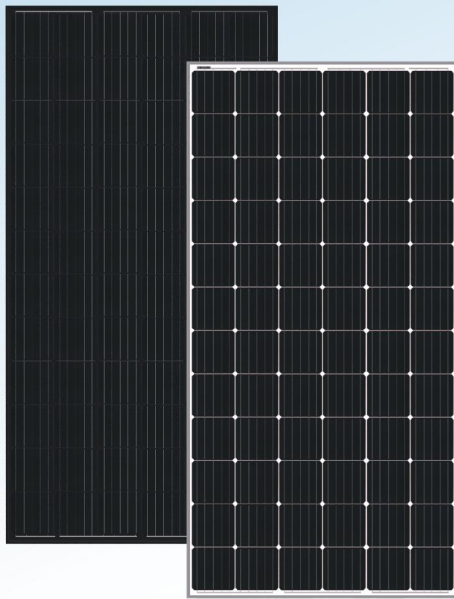
## **Solar Panel Guide Specification Data Sheet**

**Changzhou Daily Energy Co., Ltd.**

**Mono 340-370W**

**DS-360M6-72**

Also available on the web at  
[EnergyPal.com/changzhou-daily-energy-co-ltd-solar-panels/ds-360m6-72](http://EnergyPal.com/changzhou-daily-energy-co-ltd-solar-panels/ds-360m6-72)



## DS-370M6-72

Mono-Crystalline Solar Module  
340-370 Watt 6inch 72cells



Unique cell design with 5 bus-bar for higher efficiency and module stability



Excellent low light performance  
On cloudy days ,mornings and evenings



PID Free Module  
Anti-PID material  
Anti-PID cell technology



0 to +3% positive tolerance



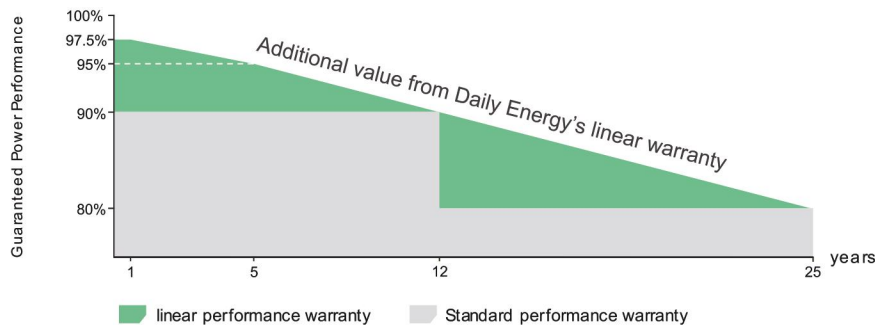
High conversion efficiency  
High module efficiency to guarantee power output



Wind load of up to 2400Pa  
and heavy snow load of up to 5400Pa

### LINEAR PERFORMANCE WARRANTY

- ※ 10 years for product defects in materials and workmanship
- ※ 12 years for 90% of warranted minimum power output
- ※ 25 years for 80% of warranted minimum power output



## ELECTRICAL PERFORMANCE

All specified Parameters are at STC 25°C Ambient, 1000W/m<sup>2</sup> irradiance and AM 1.5

Type		DS-340M6-72	DS-345M6-72	DS-350M6-72	DS-355M6-72	DS-360M6-72	DS-365M6-72	DS-370M6-72
Power Output	Pmax(W)	340	345	350	355	360	365	370
Power Output Tolerance	Pmax(%)	0~+3	0~+3	0~+3	0~+3	0~+3	0~+3	0~+3
Max-Power Voltage	Vmp(V)	38.36	38.62	38.76	38.84	38.97	39.42	39.58
Max-Power Current	Imp(A)	8.86	8.93	9.03	9.14	9.24	9.26	9.35
Open-Circuit Voltage	Voc(V)	46.53	46.68	46.75	46.95	47.52	48.03	48.12
Short-Circuit Current	Isc(A)	9.55	9.61	9.64	9.73	9.77	9.81	9.88
Cell Efficiency	(%)	20.10	20.40	20.70	21.00	21.30	21.60	21.90
Module Efficiency	(%)	17.50	17.80	18.00	18.30	18.50	18.80	19.10

## THERMAL CHARACTERISTICS

Nominal Operating Cell Temperature	NOCT(°C)	45±2
Temperature Coefficients of Pmax	(%/°C)	-0.438
Temperature Coefficients of Voc	(%/°C)	-0.297
Temperature Coefficients of Isc	(%/°C)	0.037

## OPERATING CONDITIONS

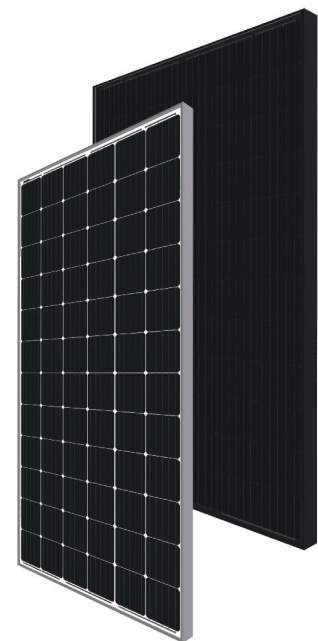
Maximum System Voltage (VDC)	1000V(IEC)
Maximum Series Fuse (A)	15
Operating Temperature (°C)	-40~+85
Maximum Load(snow/wind)	5400pa/2400pa

## MECHANICAL CHARACTERISTICS

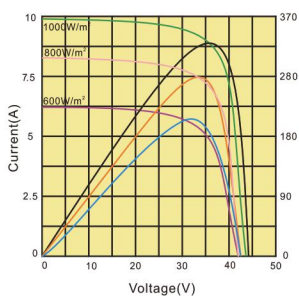
Solar cells(type/dimension)	Mono-Crystalline Silicon/156mm*156mm
Cells number	72pcs(6*12)
Front cover(material/thickness)	Low iron tempered glass/3.2mm
Backsheet(color)	White
Frame(material/color)	Anodized aluminum alloy/Silver
Junction box(protection degree)	≧ IP65
Cables/Plug Connector	Diameter 4mm <sup>2</sup> , Length 900mm/MC4 or MC4 compatible
Module Dimension	1956×992×40mm
Module Weight	23kg

## PACKING DETAILS

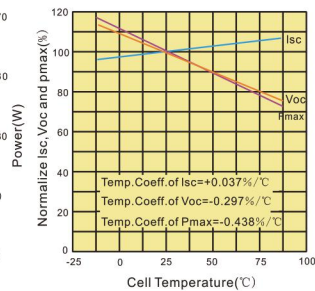
Container	20'GP	40'HQ
Pieces per pallet	52	58
Pallets per container	5	12
Pieces per container	260	696



Electrical performance (cell temperature:25°C)



Temperature dependence of Isc, Voc and pmax



Irradiance dependence of Isc, Voc and pmax cell temperature:25°C

