

For a Free Quote:

Web: **EnergyPal.com/solar**

Call: **1-800-990-3725**

Email: **contact@energypal.com**

EnergyPal

Solar Panel Guide Specification Data Sheet

**Energy America Inc
EA-QW(72C) 300-310P
EA-QW-310P**

Also available on the web at
EnergyPal.com/energy-america-inc-solar-panels/ea-qw-310p

EA-QW (72C)

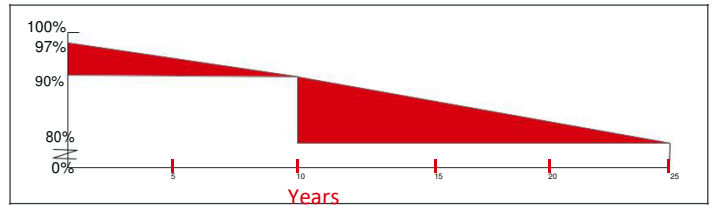
OPTIMUM
300 | 305 | 310P



THE BEST IN CLASS

Energy America PV modules are the best in class in terms of power output and long-term reliability. Our meticulous product design and stringent quality control processes ensure our modules deliver a higher PV energy yield in live PV systems as well as in PVsyst's system simulations. Our in-house PV testing facilities guarantee all module component materials meet the highest quality standards possible.

PRODUCT | WARRANTY & INSURANCE



25 Year Industry leading linear power output warranty
10 Year Product warranty on materials and workmanship

25 YEARS EA provides 100% non-cancellable, and
Warranty immediate warranty insurance.

PRODUCT & MANAGEMENT SYSTEM | CERTIFICATES

IEC61215/IEC61730: VDE/TUV/CE/MCS/SII/KEMCO/CEC
AU CEC listed (US)/FSEC (US Florida)

UL1703: CSA | **IEC61701 ED2:** VDE | **IEC62716:** TUV
PV CYCLE | **UNI9177**

ISO9001:2008 | Quality management system

ISO16949:2009 | The automotive industry quality management system

ISO14001:2004 | Standards for environmental management system

QC080000:2012 | The certificate for hazardous substances process management

OHSAS 18001:2007 | International standards for occupational health and safety

ENERGY AMERICA INC. is committed to providing high quality solar products, solar system solutions and services to customers around the world. As a leading PV project developer and manufacturer of solar modules with over 10 GW deployed around the world since 1995, EA. is one of the most bankable solar companies worldwide.

ELECTRICAL DATA | STC

Electrical Data	EA-QW-300P	EA-QW-305P	EA-QW-310P
Nominal Maximum Power (Pmax)	300W	305W	310W
Optimum Operating Voltage (Vmp)	36.1V	36.3V	36.4V
Optimum Operating Current (Imp)	8.30A	8.41A	8.52A
Open Circuit Voltage (Voc)	44.6V	44.8V	44.9V
Short Circuit Current (Isc)	8.87A	8.97A	9.08A
Module Efficiency	15.63%	15.90%	16.16%
Operating Temperature	-40°C+85°C		
Maximum System Voltage	600V (UL)/1000V (UL)/1000V (IEC)		
Maximum Series Fuse Rating	15A		
UL Fire Classification	Class C		
Power Tolerance	0+5W		

*Under standard test conditions (STC) of irradiance of 1000W/m², spectrum AM 1.5 and cell temperature of 25°C

ELECTRICAL DATA | NOCT

Electrical Data	EA-QW-300P	EA-QW-305P	EA-QW-310P
Nominal Maximum Power (Pmax)	218W	221W	225W
Optimum Operating Voltage (Vmp)	32.9V	33.1V	33.2V
Optimum Operating Current (Imp)	6.61A	6.68A	6.77A
Open Circuit Voltage (Voc)	41.0V	41.2V	41.3V
Short Circuit Current (Isc)	7.19A	7.27A	7.36A

*Under nominal operating temperature (NOCT), irradiance of 800 W/m², spectrum AM 1.5, ambient temperature 20°C wind speed 1 m/s.

PRODUCT | MECHANICAL DATA

Specification	Data
Cell Type:	Poly-crystalline 156 x 156mm.
Cell Arrangement:	72 (6 x 12)
Dimensions:	1954 x 982 x 40mm (76.93 x 38.7 x 1.57in)
Weight:	22kg (48.5 lbs.)
Front Cover:	3.2mm tempered glass
Module Frame Material:	Anodized aluminum alloy
J-Box:	IP65 or IP67, 3 diodes
Cable:	4mm ² (IEC)/4mm ² & 12AWG (UL 1000V)/12AWG (UL 600V), 1150mm/1300mm**
Connectors:	MC4 or MC4 Comparable
Standard Packaging:	24 pcs, 608kg (Quantity and weight per pallet)
Module Pieces per Container:	528 pcs (40' HQ)

TEMPERATURE | CHARACTERISTICS

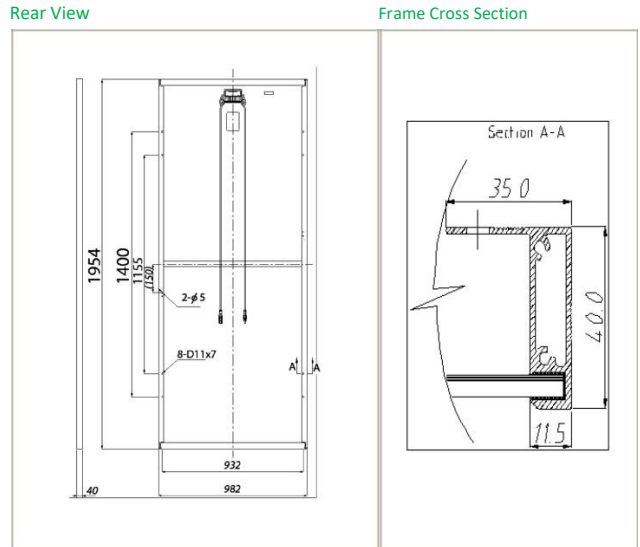
Specification	Data
Temperature Coefficient (Pmax)	-0.43%/°C
Temperature Coefficient (Voc)	-0.34%/°C
Temperature Coefficient (Isc)	0.065%/°C
Normal Operating Cell Temperature	45±2°C

PERFORMANCE | AT LOW IRRADIANCE

Industry leading performance at low irradiation environments, +95.5% PV module Efficiency from an irradiance of 1000w/m² to 200w/m² (AM 1.5, 25°C).

We, Energy America Inc., hereby disclaim any representation, warranty or guarantee that the information provided in this datasheet is accurate, correct, reliable or current. No party may claim reliance on any information furnished herein. Specifications, pictures, drawings, product features and certifications described in this datasheet are for reference purposes only. We reserve the right to make any adjustments to the information contained herein at any time without notice. Please always obtain the most recent revision of datasheet which shall be duly signed by the authorized representatives of both parties and incorporated into the binding contract made by the parties governing all transaction related to the purchase and sale of the products described herein.

MODULE | ENGINEERING DRAWING



EA-QW I-V CURVES

