

**For a Free Quote:**

**Web: [EnergyPal.com/solar](http://EnergyPal.com/solar)**

**Call: 1-800-990-3725**

**Email: [contact@energypal.com](mailto:contact@energypal.com)**

# **EnergyPal**

## **Solar Panel Guide Specification Data Sheet**

**Eco Delta Power Co., Ltd.  
ED140-150-160-6P  
ED150-6P**

Also available on the web at  
[EnergyPal.com/eco-delta-power-co-ltd-solar-panels/ed150-6p](http://EnergyPal.com/eco-delta-power-co-ltd-solar-panels/ed150-6p)



## Poly-crystalline Solar Module

ED140-6P  
 ED150-6P  
 ED160-6P

### Warranty

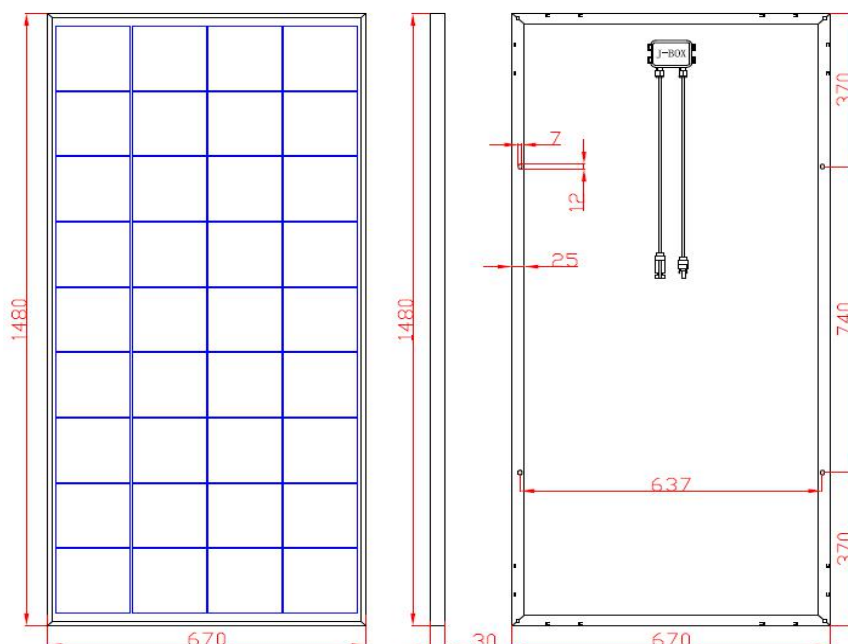
10-year repair and workmanship warranty  
 12-year warranty at 90% power output  
 25-year warranty at 80% power output



### Typical Electrical Characteristics

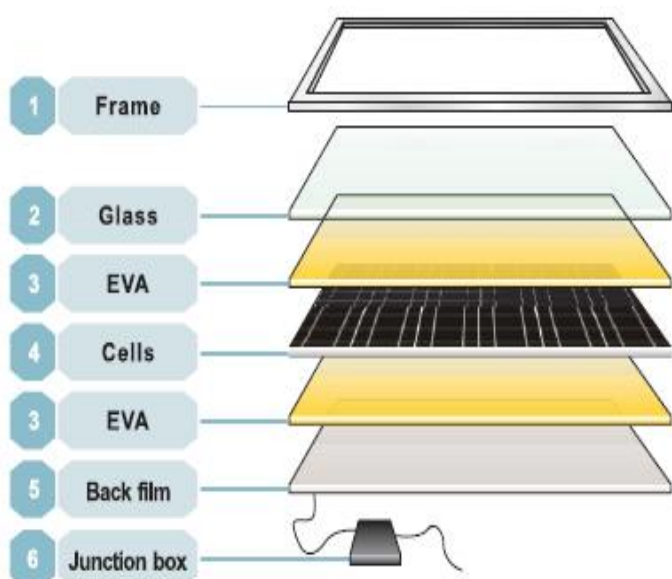
Models	ED140-6P	ED150-6P	ED160-6P
Max. Power (Pmax)	140Wp	150Wp	160Wp
Optimum Operating Voltage (Vm)	17.2V	17.8V	18.2V
Optimum Operating Current (Im)	8.14A	8.43A	8.79A
Open-circuit Voltage (Voc)	21.8V	22.4V	22.8V
Short-circuit Current (Isc)	8.62A	8.93A	9.28A
Module efficiency	14.1%	15.2%	16.1%

Note: the specifications are obtained under the Standard Test Condition (STC): 1,000W/m<sup>2</sup>, Am 1.5, Cell Temperature 25°C



Solar cell	Poly
Power Tolerance (Pmax)	0 ~ +3%
Numbers of cells	36pcs of cells in series
Module Dimension	1480×670×30mm
Weight	10Kg
Max. System Voltage	1000V DC
Max. Series Fuse Rating	—
Temperature cycling range	-40℃ ~ +85℃
NOTC	47℃
Temperature coefficients of Isc	(+0.06%/℃)
Temperature coefficients of Voc	(-0.35%/℃)
Temperature coefficients of Pmax	(-0.4%/℃)
Load Capacity	392pcs/ 20'GP
	840pcs/ 40'GP

## Certification



## The Structure of Solar Modules

### Cells

The hi-efficiency of mono and poly solar cells ensure adequate power for panels.

### Glass

Low-iron tempered glass, 3.2mm thickness with higher reflectivity.

### EVA

Higher transmission rate, antioxidant capacity and temperature resistance, no expansion or contraction.

### Back film

Increase efficiency of modules slightly and reduce module's temperature. Aging resistance, corrosion resistance and airtight.

### Aluminum Frame

Using the framework of the anodized aluminum frame with high intensity, mechanical shock resistance capacity.