

For a Free Quote:

Web: EnergyPal.com/solar

Call: 1-800-990-3725

Email: contact@energypal.com

EnergyPal

Solar Panel Guide Specification Data Sheet

Evolve Energy Group

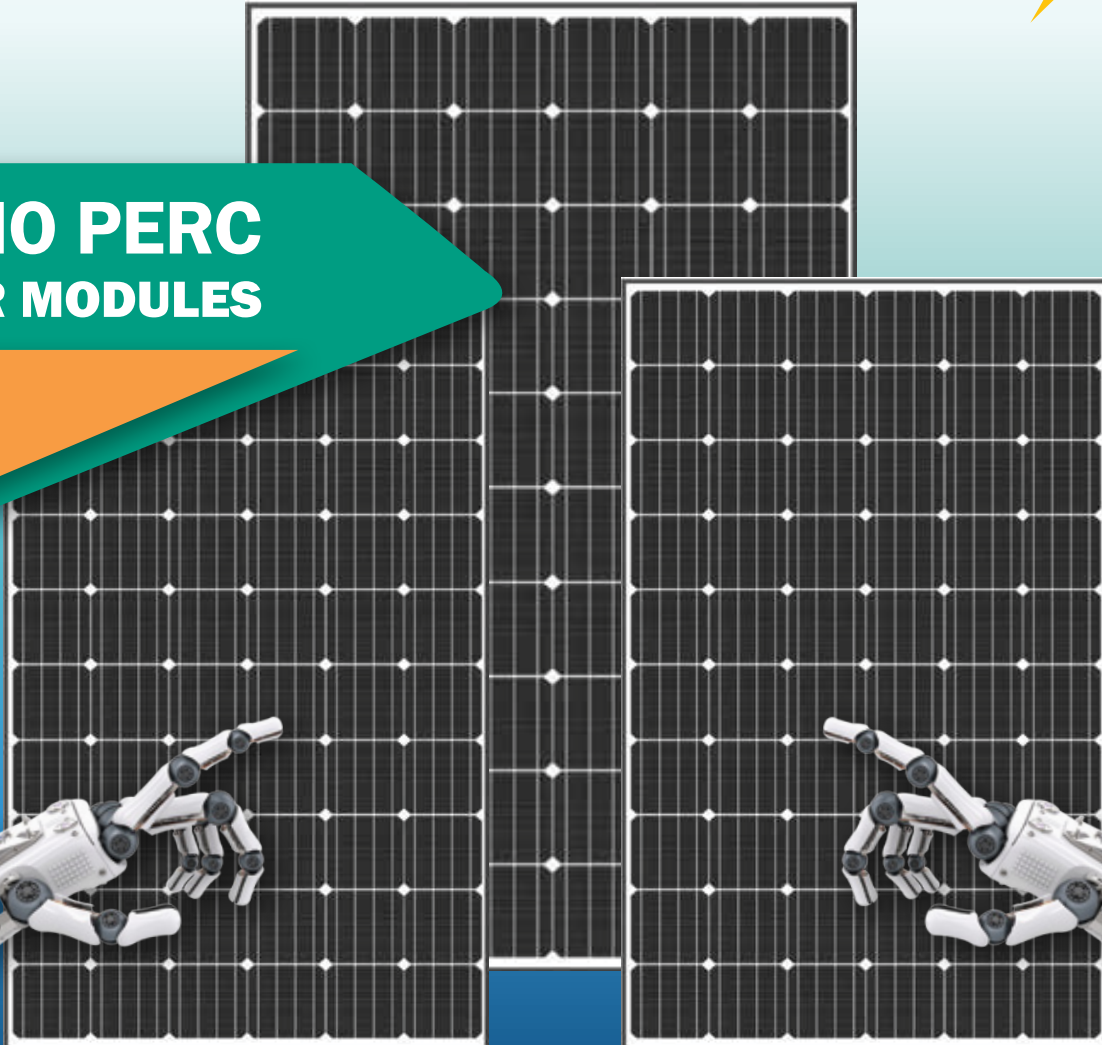
EE-PM-300M-60

EE-PM-300M-60

Also available on the web at
EnergyPal.com/evolve-energy-group-solar-panels/ee-pm-300m-60



MONO PERC SOLAR MODULES



PERC MODULE

MONOCRYSTALLINE SILICON SOLAR MODULE

310W OF POWER IN A STANDARD 60 CELL CONFIGURATION
MORE POWER PER M²

20% MORE POWER THAN A CONVENTIONAL 60 CELL 250W MODULE
MODULE EFFICIENCY OF 19.06%

300W / 305W / 310W **60 CELLS**

12
YEAR

PRODUCT
WARRANTY

25
YEAR

PERFORMANCE
WARRANTY (80%)

+3%

POSITIVE
TOLERANCE

21.60%

MAX CELL
EFFICIENCY

19.67%

MAX MODULE
EFFICIENCY

100%

3 STEPS
EL TEST

ELECTRICAL PERFORMANCE

Module type	EE-PM-300M-60 Series								
Power output	P_{max}	W	290	295	300	305	310	315	320
Power output tolerances	ΔP_{max}	%	0 - 3						
Voltage at Pmax	V_{mpp}	V	31.98	32.25	32.54	32.73	33.13	33.55	34.01
Current at Pmax	I_{mpp}	A	9.07	9.15	9.22	9.32	9.36	9.39	9.41
Open-circuit voltage	V_{oc}	V	39.58	39.89	40.11	40.33	40.73	41.15	41.55
Short-circuit current	I_{sc}	A	9.46	9.52	9.61	9.7	9.74	9.76	9.77
Solar Module Efficiency	Eff.	%	17.83	18.14	18.45	18.75	19.06	19.37	19.67

STC:1000W/m² irradiance, 25°C cell temperature, AM 1.5g spectrum according to EN 60904-3.

THERMAL CHARACTERISTICS

Nominal operating cell temperature	NOCT	°C	45±2
Temperature coefficient of Pmax	γ	%/°C	-0.40
Temperature coefficient of Voc	β_{Voc}	%/°C	-0.30
Temperature coefficient of Isc	α_{Isc}	%/°C	0.06
Temperature coefficient of Vmpp	β_{Vmpp}	%/°C	-0.35

OPERATING CONDITIONS

Max. system voltage	1000V _{DC}
Limiting reverse current	15A
Operating temperature range	-40°C to 85°C
Max. static load front (e.g., snow)	5400Pa
Max. static load back (e.g., wind)	2400Pa
Max. hailstone impact (diameter / velocity)	25mm / 23m/s

MECHANICAL CHARACTERISTICS

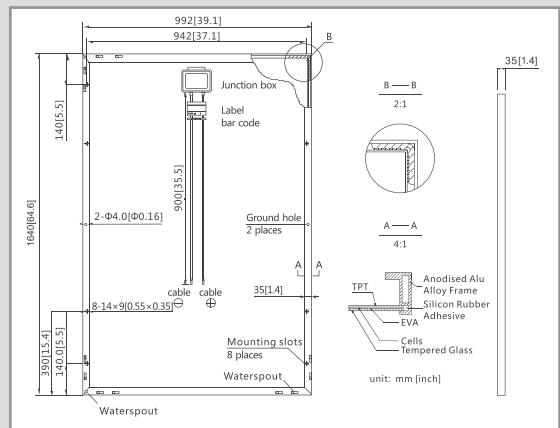
Front cover (material / thickness)	Tempered glass + ARC glass/3.2mm
Backsheet (color)	White
Cell (quantity/material/dimensions)	60/monocrystalline silicon/156 x 156mm
Frame (material / color)	anodized aluminum alloy / Black / White
Junction box (protection degree)	≥IP67
Cables & Plug connectors	900mm/4mm ² & MC4 compatible/IP67
Module Dimensions (L / W / H)	1640mm x 992mm x 35mm
Module Weight	17.6kg

PACKING DETAILS

Container	20'GP	40'HQ
Pieces per pallet	60	66
Pallets per container	6	14
Pieces per container	360	924



Module Diagram:



Electrical Curves:

