

**For a Free Quote:**

**Web: [EnergyPal.com/solar](http://EnergyPal.com/solar)**

**Call: 1-800-990-3725**

**Email: [contact@energypal.com](mailto:contact@energypal.com)**

# **EnergyPal**

## **Solar Panel Guide Specification Data Sheet**

**Gi-Power New Energy Co., Ltd.**

**GP-085~075M-36**

**GP-085M-36**

Also available on the web at  
[EnergyPal.com/gi-power-new-energy-co-ltd-solar-panels/gp-085m-36](http://EnergyPal.com/gi-power-new-energy-co-ltd-solar-panels/gp-085m-36)

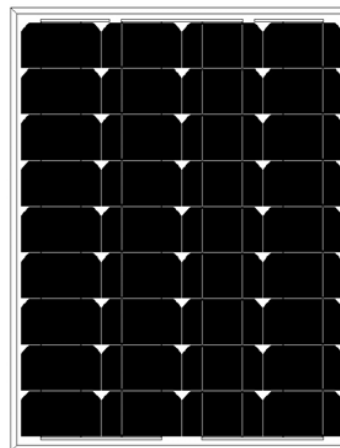
## Monocrystalline Module Models

GP-085M-36 GP-080M-36 GP-075M-36

## Electrical Specifications

\*STC : Irradiance 1000W/m<sup>2</sup>, AM1.5 spectrum, module temperature 25°C

Model type	GP-085M-36	GP-080M-36	GP-075M-36
Peak power (Pmax)	85W	80W	75W
Cell Efficiency	19.76%	19.16%	18.00%
Maximum power voltage	19.7V	19.1V	18.3V
Maximum power current	4.32A	4.18A	4.10A
Open circuit voltage (Voc)	22.7V	22.6V	22.1V
Short circuit current (Isc)	4.58A	4.44A	4.39A
Power Tolerance	±3%		
Maximum system voltage	1000V		
Series fuse rating (A)	6		
Number of bypass diode	3		



## Temperature Coefficients

Current Temperature Coefficient $\alpha(Isc)$	0.03%/°C
Voltage Temperature Coefficient $\beta(Voc)$	- 0.32%/°C
Power Temperature Coefficient	-0.42%/°C
Nominal Temperature Of Cells(NOTC)	46±2°C
Application Temperature Range	-40~+85°C

## Mechanical Characteristics

Dimensions:	770 x 670 x 25mm (30.31x26.38x0.98 inch)
Weight:	5.4kg (11.99 lbs)
Solar Cells:	36 cells in series(4x 9)
Construction:	High-transmission low-iron tempered glass , EVA, TPT/TPE
Frame:	Anodized aluminum is mainly for improving corrosion resistance. Color: silver

## Output(Optional)

Cable	LAPP(4 mm2)
Lengths	900mm(-) and 900mm(+)
Connector	MC Plug Type IV

## Module Warranty:

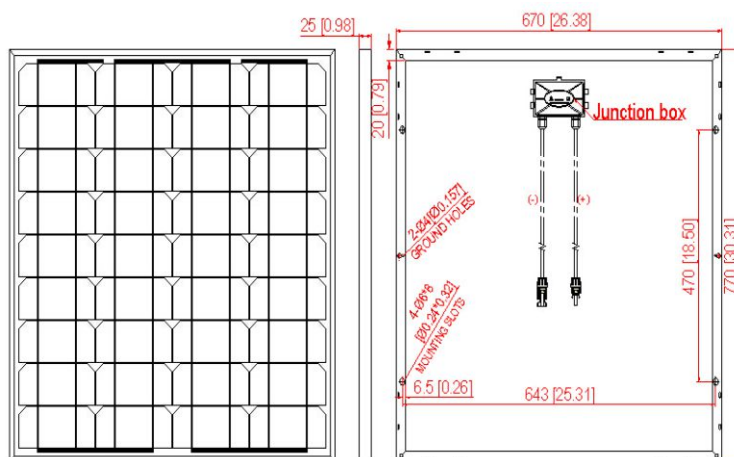
25-year limited warranty of 80% power output;

10-year limited warranty of 90% power output;

5-year limited warranty of materials and workmanship.

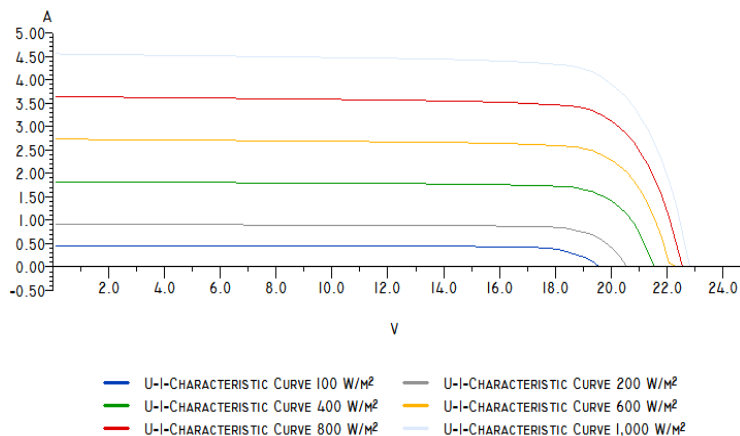
**Note:** This publication summarizes product warranty and Specifications which are subject to change without notice

Product photos are for reference only, on behalf of actual product



## Module Diagram

U-I-CHARACTERISTIC CURVE AT 25 °C



## Electric Performance