

For a Free Quote:

Web: EnergyPal.com/solar

Call: 1-800-990-3725

Email: contact@energypal.com

EnergyPal

Solar Panel Guide Specification Data Sheet

Gi-Power New Energy Co., Ltd.

GP-100-090M-36

GP-090M-36

Also available on the web at
EnergyPal.com/gi-power-new-energy-co-ltd-solar-panels/gp-090m-36

Monocrystalline Module Models

GP-100M-36 GP-095M-36 GP-090M-36

Electrical Specifications

*STC : Irradiance 1000W/m², AM1.5 spectrum, module temperature 25°C

Model type	GP-100M-36	GP-095M-36	GP-090M-36
Peak power (Pmax)	100W	95W	90W
Cell Efficiency	18.48%	17.56%	16.63%
Maximum power voltage (Vmp)	18.3V	18.0V	17.8V
Maximum power current (Imp)	5.46A	5.23A	5.05A
Open circuit voltage (Voc)	22.6V	22.5V	22.4V
Short circuit current (Isc)	5.76A	5.60A	5.49A
Power Tolerance		±3%	
Maximum system voltage		1000V	
Series fuse rating (A)		10	
Number of bypass diode		2	



Temperature Coefficients

Current Temperature Coefficient	$\alpha(I_{sc})$	0.03%/°C
Voltage Temperature Coefficient	$\beta(V_{oc})$	-0.32%/°C
Power Temperature Coefficient		-0.42%/°C
Nominal Temperature Of Cells (NOTC)		46±2°C
Application Temperature Range		-40~+85°C

Mechanical Characteristics

Dimensions :	1195 x 540 x 30mm (47.05x21.26x1.18 inch)
Weight:	7.0kg (15.54 lbs)
Solar Cells:	36 cells in series(4x 9)
Construction:	High-transmission low-iron tempered glass , EVA, TPT/TPE
Frame:	Anodized aluminum is mainly for improving corrosion resistance. Color: silver

Output

Cable	LAPP(4 mm ²)
Lengths	900mm(-) and 900mm(+)
Connector	MC Plug Type IV

Module Warranty:

25-year limited warranty of 80% power output;

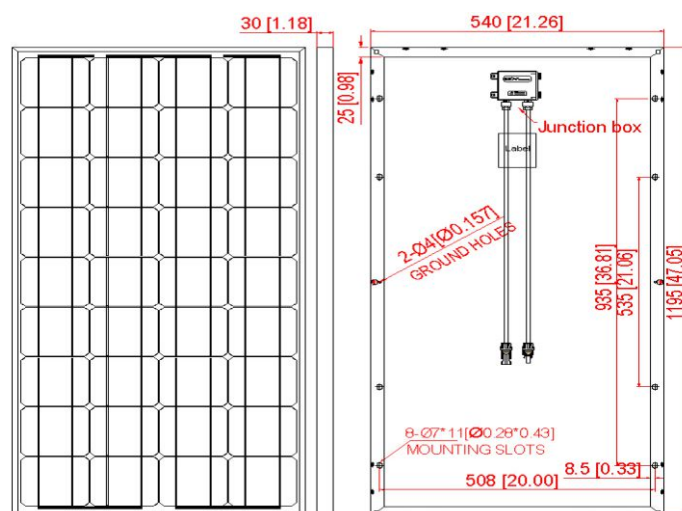
10-year limited warranty of 90% power output;

5-year limited warranty of materials and workmanship.

Note: This publication summarizes product warranty and

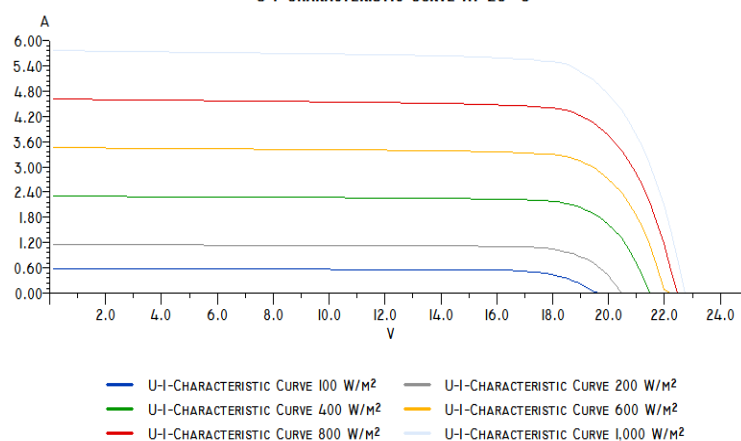
Specifications which are subject to change without notice

Product photos are for reference only, on behalf of actual product.



Module Diagram

U-I-CHARACTERISTIC CURVE AT 25 °C



Electrical Performance