

For a Free Quote:

Web: EnergyPal.com/solar

Call: 1-800-990-3725

Email: contact@energypal.com

EnergyPal

Solar Panel Guide Specification Data Sheet

Gi-Power New Energy Co., Ltd.

GP-220~200M-72

GP-200M-72

Also available on the web at
EnergyPal.com/gi-power-new-energy-co-ltd-solar-panels/gp-200m-72



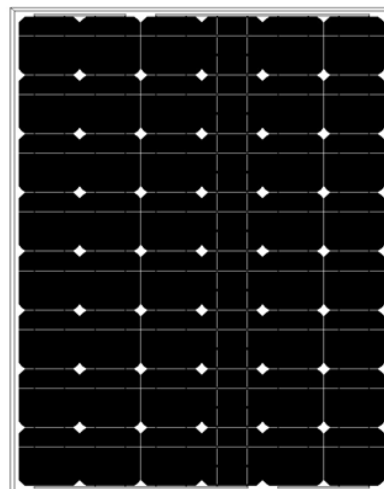
Monocrystalline Module Models

GP-220M-72 GP-210M-72 GP-200M-72

Electrical Specifications

*STC : Irradiance 1000W/m², AM1.5 spectrum, module temperature 25 °C

Model type	GP-220M-72	GP-210M-72	GP-200M-72
Peak power (Pmax)	220W	210W	200W
Cell Efficiency	19.95%	19.04%	18.14%
Maximum power voltage (Vmp)	38.9V	37.8V	37.0V
Maximum power current (Imp)	5.66A	5.56A	5.41A
Open circuit voltage (Voc)	45.8V	45.1V	44.5V
Short circuit current (Isc)	6.00A	5.91A	5.78A
Power Tolerance	±3%		
Maximum system voltage	1000V		
Series fuse rating (A)	8		
Number of bypass diode	0		



Temperature Coefficients

Current Temperature Coefficient α(Isc)	0.03%/°C
Voltage Temperature Coefficient β(Voc)	-0.32%/°C
Power Temperature Coefficient	-0.42%/°C
Nominal Temperature Of Cells(NOTC)	46±2°C
Application Temperature Range	-40~+85°C

Mechanical Characteristics

Dimensions :	1345 x 990 x 35mm (52.95x38.98x1.38 inch)
Weight:	14.3 kg (31.75 lbs)
Solar Cells:	144 cells in series(6x 24)
Construction:	High-transmission low-iron tempered glass , EVA, TPT/TPE
Frame:	Anodized aluminum is mainly for improving corrosion resistance. Color: silver

Output

Cable	LAPP(4 mm ²)
Lengths	900mm(-) and 900mm(+)
Connector	MC Plug Type IV

Module Warranty:

25-year limited warranty of 80% power output;

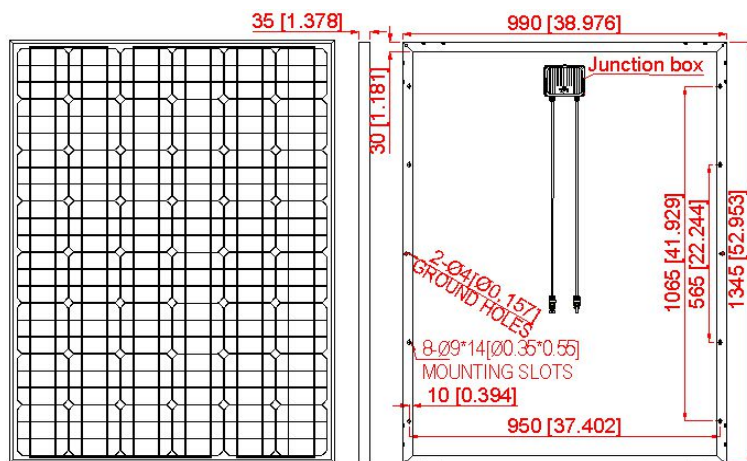
10-year limited warranty of 90% power output;

10-year limited warranty of materials and workmanship.

Note: This publication summarizes product warranty and

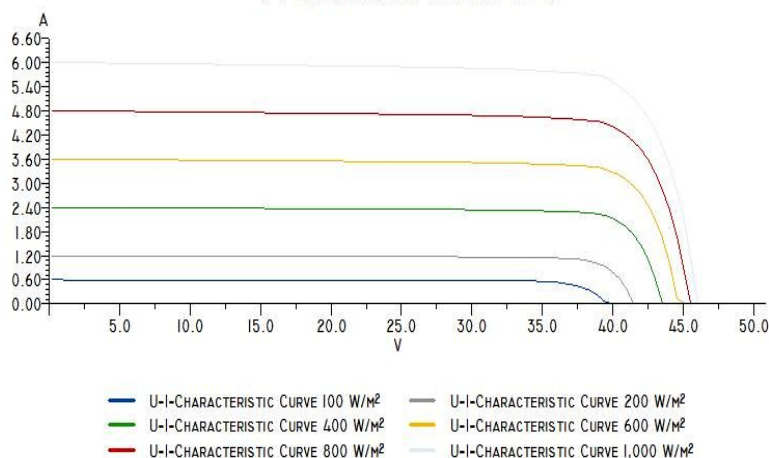
Specifications which are subject to change without notice

Product photos are for reference only, on behalf of actual product.



Module Diagram

U-I-CHARACTERISTIC CURVE AT 25 °C



Electrical Performance