

For a Free Quote:

Web: EnergyPal.com/solar

Call: 1-800-990-3725

Email: contact@energypal.com

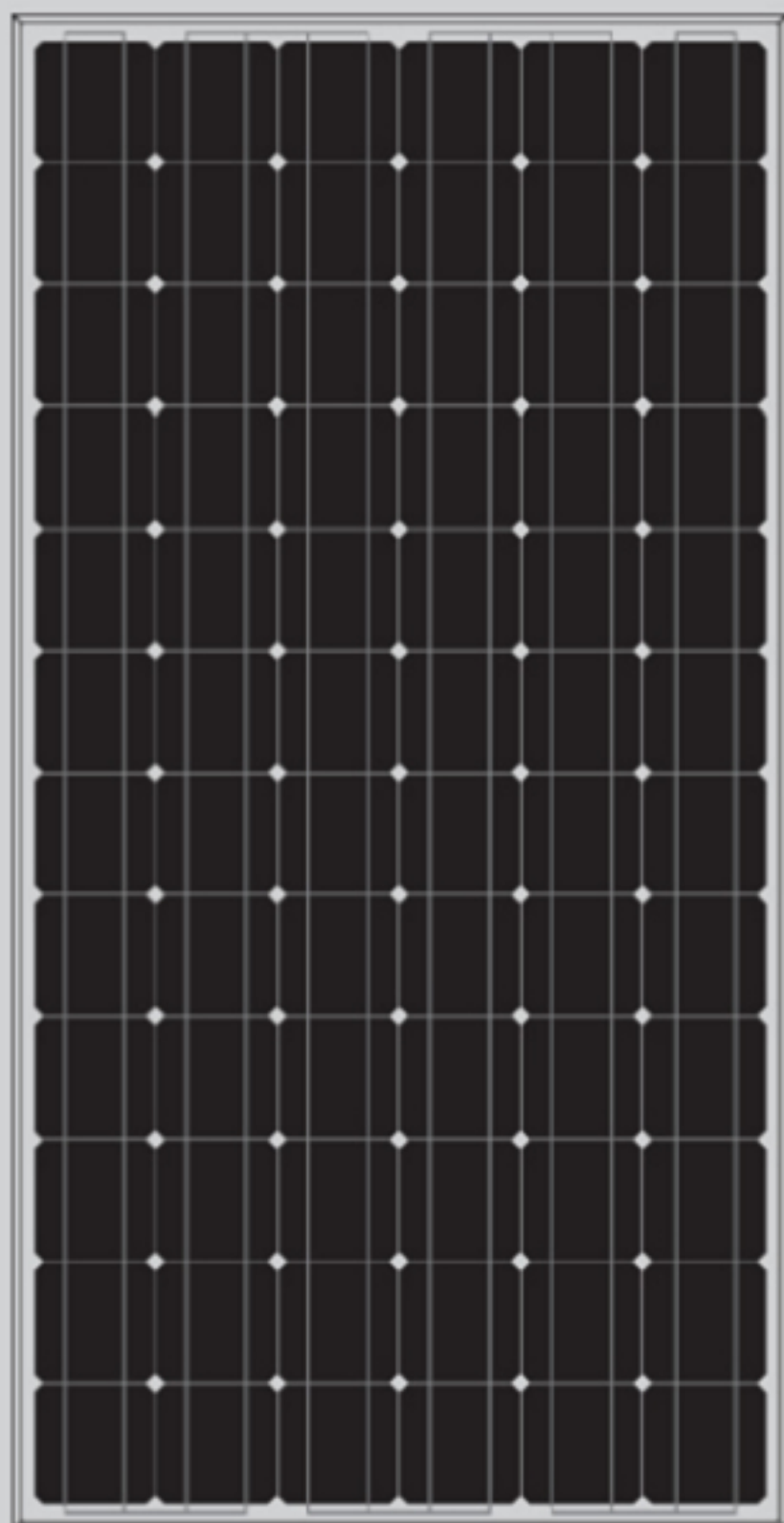
EnergyPal

Solar Panel Guide Specification Data Sheet

**Greenergy Power
GP-190-210 Mono
GP-205**

Also available on the web at
EnergyPal.com/greenergy-power-solar-panels/gp-205

MONOCRYSTALLINE SILICON MODULE



GREENERGY POWER
SOLAR TECHNOLOGY

GP-190 GP-195 GP-200 GP-205 GP-210

MONOCRYSTALLINE SILICON MODULE

Products Characteristics



Widely using of the most popular and mature type of modules for off-grid system.



Leading manufacturing technology in PV industry, strictly controlling the quality of raw materials and the process of producing



100% EL inspection, ensures modules are defects free.



Cells binned by current to improve module performance



Anti reflective glass. Not only to increase the light absorption, but also to make the module has the function of self-cleaning in water environment, effectively reducing the power loss caused by dust.



Outstanding performance in low-light irradiance environments.



Excellent mechanical load resistance: Certified to withstand high wind loads(2400pa) and snow loads(5400pa).



High salt and ammonia resistance



Positive power tolerance: 0~+5w

Warranty

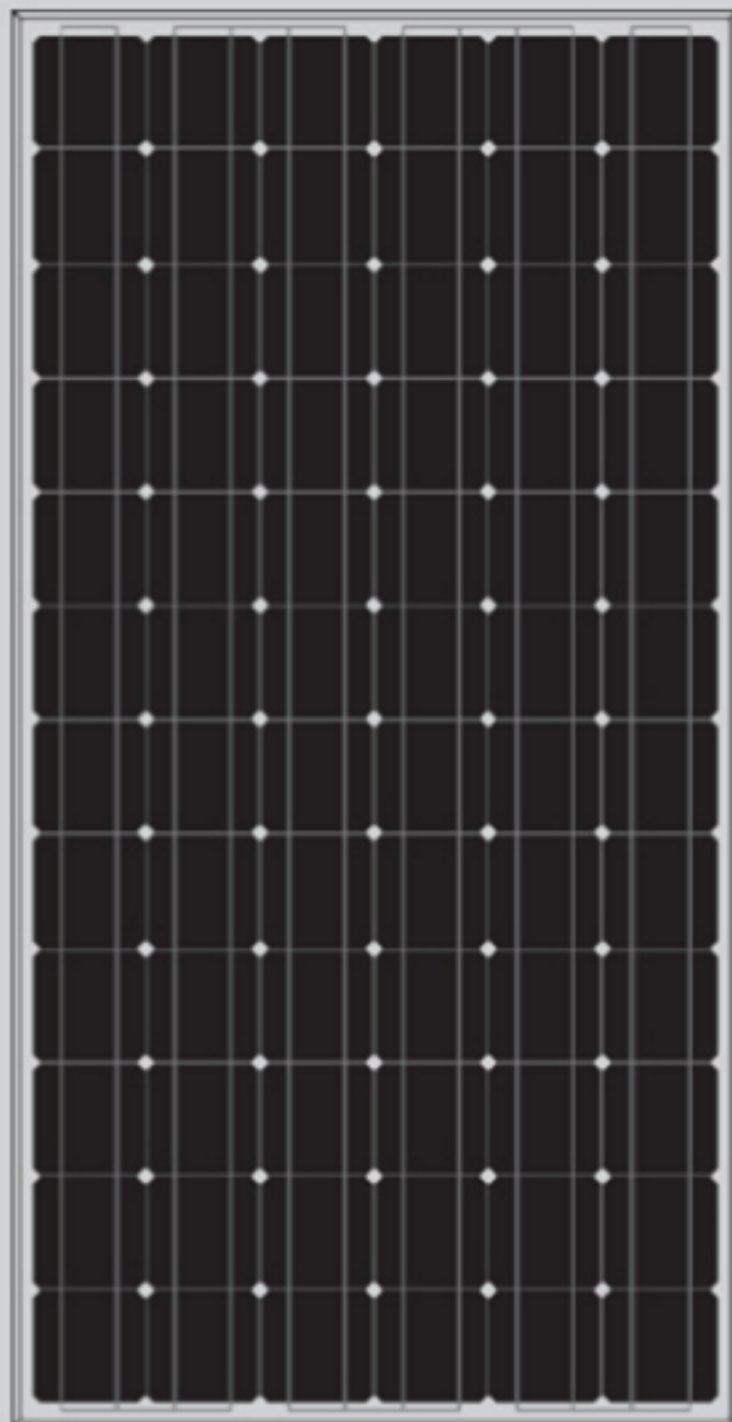
- 5 years product warranty
- 10-years 90% of Min. rated output power, and 25-years 80% of Min. rated output power warranty

GP-190 GP-195 GP-200 GP-205 GP-210

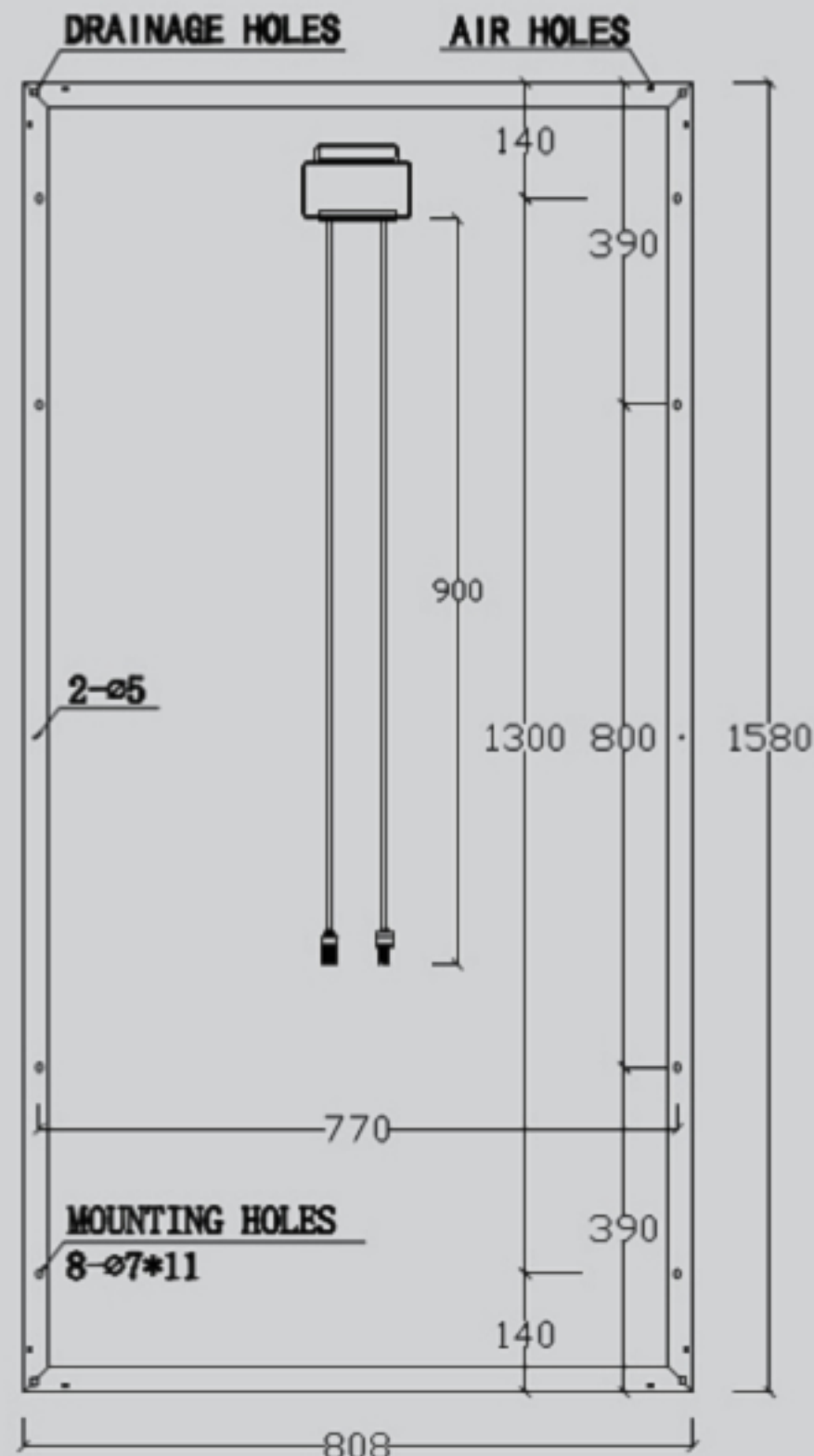


GREENERGY POWER
SOLAR TECHNOLOGY

Engineering Drawings (Front Side)



Engineering Drawings (Back Side)



Raw materials and Mechanical Parameters

	GP -190	GP -195	GP -200	GP -205	GP -210
Type of Cells(mm)	mono125x125				
NO. of Cells and Connections	6x12=72				
Dimensions(mm)(L*W*H)	1580x808x35				
Weight(kg)	15.8				
Glass	3.2mm Tempered Glass				
Encapsulation	EVA				
Backsheet	Multilayer Composite				
Aluminium-Frame	Silvery/Black Anodized aluminium alloy				
Junction-Box	IP65/IP67				
Cable	4mm ² ,900mm				
Connector	MC4 OR MC4 Compatible				
Package Configuration	Surrounding ctn+26pcs/ctn				

Performance Parameters

	GP-190	GP-195	GP-200	GP-205	GP-210
Maximum System Voltage	1000V				
Operating Temperature	-45--+80°C				
Maximum Series Fuse	10A				
Maximum Static Load,Front Side (e.x. Snow,Wind)	5400Pa				
Maximum Static Load, Back Side(e.x. Wind)	2400Pa				
Application Grade	Class A				

Electrical Parameters (Standard Test Condition)

	GP-190	GP-195	GP-200	GP-205	GP-210
Rated Maximum Power(Mp)	190W	195W	200W	205W	210W
Power Tolerance	0-5Wp				
Cell Efficiency	17.1%	17.5V	17.9%	18.4%	18.9%
Open Circuit Voltage(Voc)	45.2V	45.4V	45.6V	45.8V	45.9V
Maximum Power Voltage(Vmp)	35.4V	35.6V	35.9V	36.2V	36.4V
Short Circuit Current(Isc)	5.51A	5.64A	5.76A	5.89A	5.99A
Maximum Power Current(Imp)	5.37A	5.48A	5.57A	5.67A	5.77A
Temperature Coefficient of Isc	+0.06%				
Temperature Coefficient of Voc	-0.33%				
Temperature Coefficient of Pmp	-0.45%				
Standard Test Condition	Irradiance:1000W/M2,Cell Temperature:25°C,Spectrum AM:1.5				

The Electrical Parameters of the module are the average theory figure under the standard test condition, each one exists difference. Can not be treated as the basis of module delivery.