

For a Free Quote:

Web: **EnergyPal.com/solar**

Call: **1-800-990-3725**

Email: **contact@energypal.com**

EnergyPal

Solar Panel Guide Specification Data Sheet

Gi-Power New Energy Co., Ltd.

GP-280~260P-60

GP-280P-60

Also available on the web at
EnergyPal.com/gi-power-new-energy-co-ltd-solar-panels/gp-280p-60



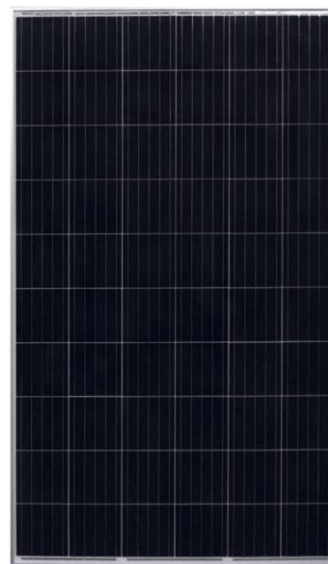
Polycrystalline Module Models

GP-280P-60 GP-270P-60 GP-260P-60

Electrical Specifications

*STC : Irradiance 1000W/m², AM1.5 spectrum, module temperature 25°C

| Model type | GP-280P-60 | GP-270P-60 | GP-260P-60 |
|-----------------------------|------------|------------|------------|
| Peak power (Pmax) | 280W | 270W | 260W |
| Cell Efficiency | 19.94% | 19.23% | 18.52% |
| Maximum power voltage (Vmp) | 32.8V | 32.2V | 31.8V |
| Maximum power current (Imp) | 8.54A | 8.39A | 8.17A |
| Open circuit voltage (Voc) | 38.7V | 38.2V | 37.6V |
| Short circuit current (Isc) | 8.98A | 8.87A | 8.69A |
| Power Tolerance | | ±3% | |
| Maximum system voltage | | 1000V | |
| Series fuse rating (A) | | 12 | |
| Number of bypass diode | | 3/6 | |



Temperature Coefficients

| | | |
|------------------------------------|------------------|-----------|
| Current Temperature Coefficient | $\alpha(I_{sc})$ | 0.08%/°C |
| Voltage Temperature Coefficient | $\beta(V_{oc})$ | -0.32%/°C |
| Power Temperature Coefficient | | -0.38%/°C |
| Nominal Temperature Of Cells(NOTC) | | 46±2°C |
| Application Temperature Range | | -40~+85°C |

Mechanical Characteristics

| | |
|---------------|---|
| Dimensions: | 1640 x 990 x 35 mm (64.57x38.98x1.378 inch) |
| Weight: | 17.5 kg (38.85 lbs) |
| Solar Cells: | 60 cells in series(6 x 10) |
| Construction: | High-transmission low-iron tempered glass , EVA, TPT/TPE |
| Frame: | Anodized aluminum is mainly for improving corrosion resistance. Color: silver |

Output

| | |
|-----------|--------------------------|
| Cable | LAPP(4 mm ²) |
| Lengths | 900mm(-) and 900mm(+) |
| Connector | MC Plug Type IV |

Module Warranty:

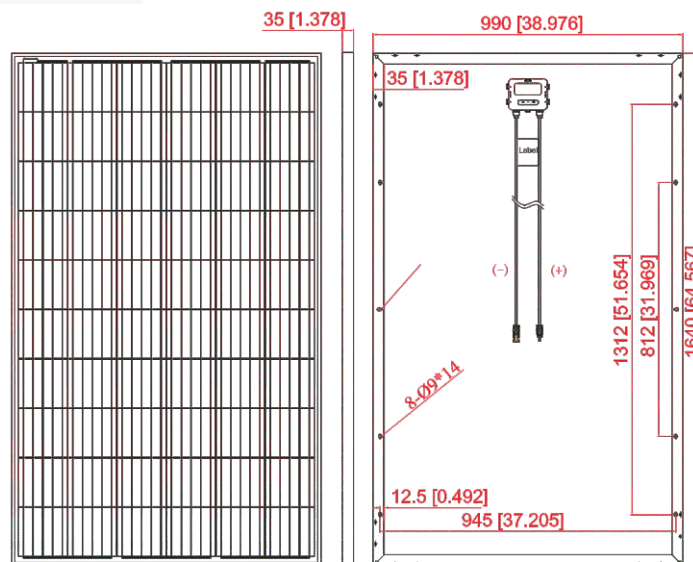
25-year limited warranty of 80% power output;

10-year limited warranty of 90% power output;

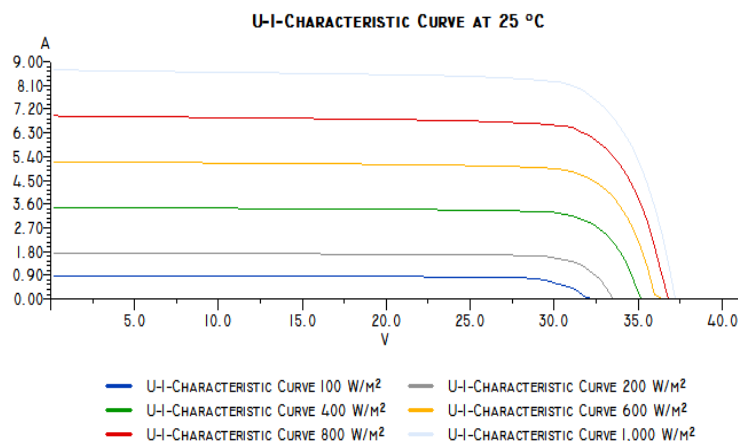
10-year limited warranty of materials and workmanship.

Note: This publication summarizes product warranty and Specifications which are subject to change without notice

Product photos are for reference only, on behalf of actual product.



Module Diagram



Electrical Performance