

For a Free Quote:

Web: EnergyPal.com/solar

Call: 1-800-990-3725

Email: contact@energypal.com

EnergyPal

Solar Panel Guide Specification Data Sheet

GermanSolar Asia Co., Ltd

GSAP6-40W

GSAP6-40W

Also available on the web at
EnergyPal.com/germansolar-asia-co-ltd-solar-panels/gsap6-40w

Polycrystalline | GSAP6-40W



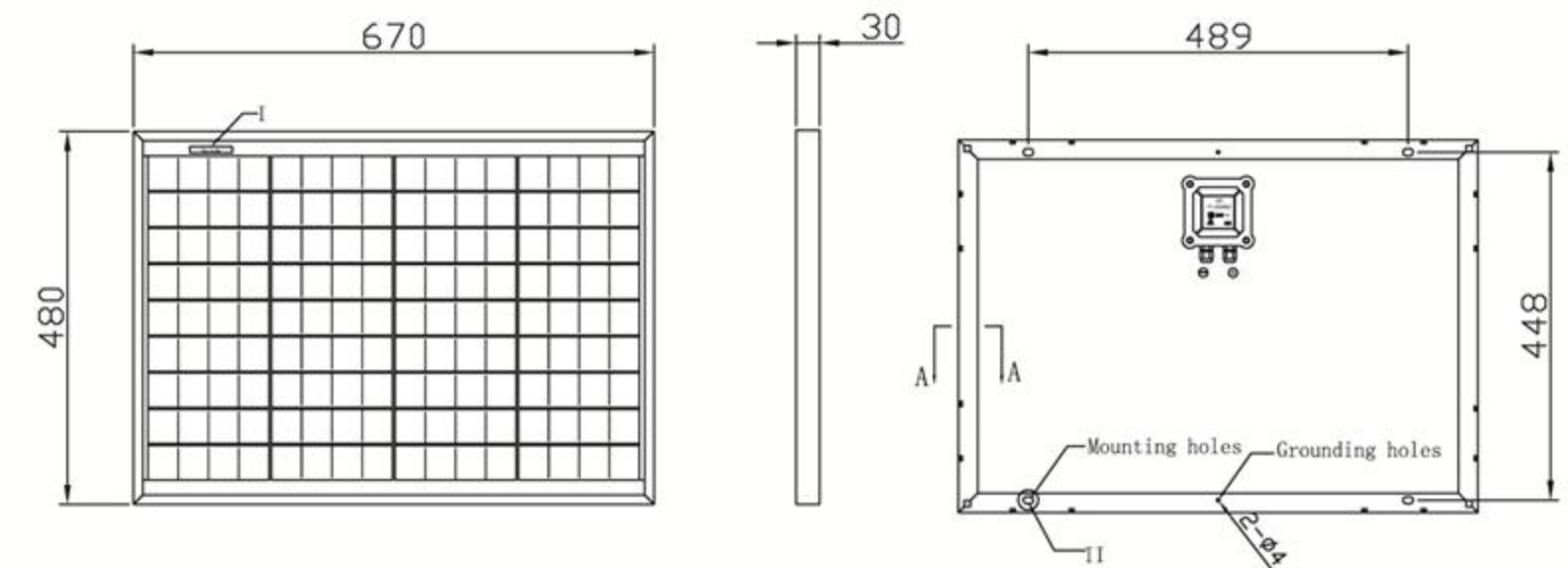
- Flash-data for every panel.
- Positive output sorting.
- Tight power tolerance $\pm 3\%$.
- Individual testing and surveying, quality assurance by permanent production control incl. EL-test.
- UV stabilized, aesthetically pleasing black anodized frame.
- Supported by major mounting structure manufacturers
- Chamfered frame—resulting in improved water drainage.
- The production facility and process comply with IEC standard 61215, 61730 and UL1703.

DESCRIPTION

Item	Module Type	GSAP6-40W
Maximum power	Pmax(W)	40W
Tolerance	(%)	± 3
Open Circuit Voltage	Voc(V)	22
Short Circuit Current	Isc(A)	2.37
Maximum Power Voltage	Vmpp(V)	18.2
Maximum Power Current	Impp(A)	2.2
Module Efficiency	(%)	12.4
Solar Cell Efficiency	(%)	16
Cell Type	(mm)	156X156(Poly-Crystalline Silicon)
Number of Cells	(Pcs)	36
Maximum System Voltage	(V)	DC600
Temp.Coeff.of Voc	(%/K)	-0.343
Temp.Coeff.of Isc	(%/K)	0.075
Temp.Coeff.of Pmax	(%/K)	-0.44
Operating Temperature	(°C)	-40to85
Nominal Operating Cell Tempera	(°C)	47 \pm 2
Max.Series Fuse	(A)	10
Insulation	(M Ω)	50
STC(Stand Test Conditions)		1000W/m ² AM=1.525°C
Weight	(kg)	4.2

Polycrystalline | GSAP6-40W

PHYSICAL CHARACTERISTICS Unit: mm



ELECTRICAL CHARACTERISTICS

