

**For a Free Quote:**

Web: **EnergyPal.com/solar**

Call: **1-800-990-3725**

Email: **contact@energypal.com**

# **EnergyPal**

## **Solar Panel Guide Specification Data Sheet**

**PA-ID Process GmbH  
HM 1095 Mono Black - 295W  
HM 1095 Mono Black - 295W**

Also available on the web at  
[EnergyPal.com/pa-id-process-gmbh-solar-panels/hm-1095-mono-black-295w](https://www.energypal.com/pa-id-process-gmbh-solar-panels/hm-1095-mono-black-295w)

HM 1095 Mono Black – 295<sub>el</sub> / 719<sub>th</sub> W<sub>p</sub>

## Monocrystalline PV and thermal panel

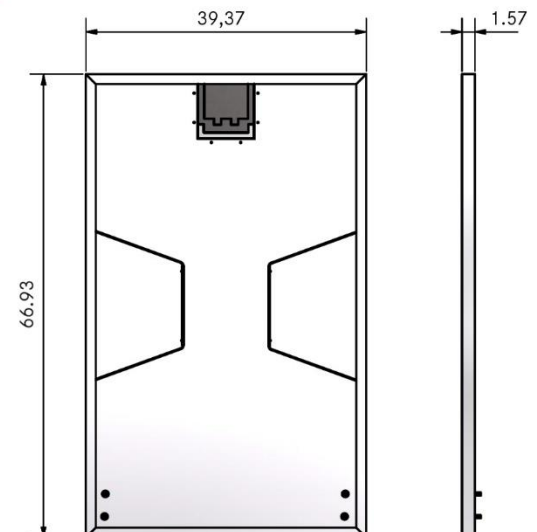
### Features

- ✓ Optimized solar coverage  
Power and Warmth – one module
- ✓ Advanced absorber engineering  
for full surface heat absorption
- ✓ Higher efficiency  
through active cell cooling
- ✓ Snow-free in winter  
Defrosting effect due to water cycle
- ✓ Positive performance variation  
From 0W to +5W for a better yield
- ✓ Powerful and lightweight - only 24 kg (53 lbs - filled)  
Snow load: 5400 N/m<sup>2</sup> (502 N/ft)  
Wind load: 2400 N/m<sup>2</sup> (223 N/ft)
- ✓ Product Guarantee: 10 years  
Performance Guarantee: 10 years 90% — 25 years 80%
- ✓ **Quality made in Germany**



### Technical Data

Testing conditions	STC	NOCT
Nominal voltage ( $V_{mpp}$ )	32,52 V	29,73 V
Nominal current ( $I_{mpp}$ )	9,07 A	7,40 A
Open circuit voltage ( $V_{oc}$ )	39,15 V	36,24 V
Short circuit current ( $I_{sc}$ )	9,77 A	7,91 A
Electrical power ( $P_{max}$ )	295 W	215 W
Thermal power ( $P_{max}$ )	719 W	557 W
Maximum operating pressure ( $P_{max}$ )	4 bar (58 psi)	
Max. operating voltage	1000 V	



**STC:** Irradiation 1.000 W/m<sup>2</sup>, panel temperature 25°C (77°F), air mass = 1,5  
**NOCT:** Irradiation 800 W/m<sup>2</sup>, ambient temperature 20°C (68°F), wind speed 1 m/s (2,24 mph)