

For a Free Quote:

Web: **EnergyPal.com/solar**

Call: **1-800-990-3725**

Email: **contact@energypal.com**

EnergyPal

Solar Panel Guide Specification Data Sheet

Jiangsu Hosun Solar Power Co., Ltd.

JHX-135-155P36

JHX-155P36

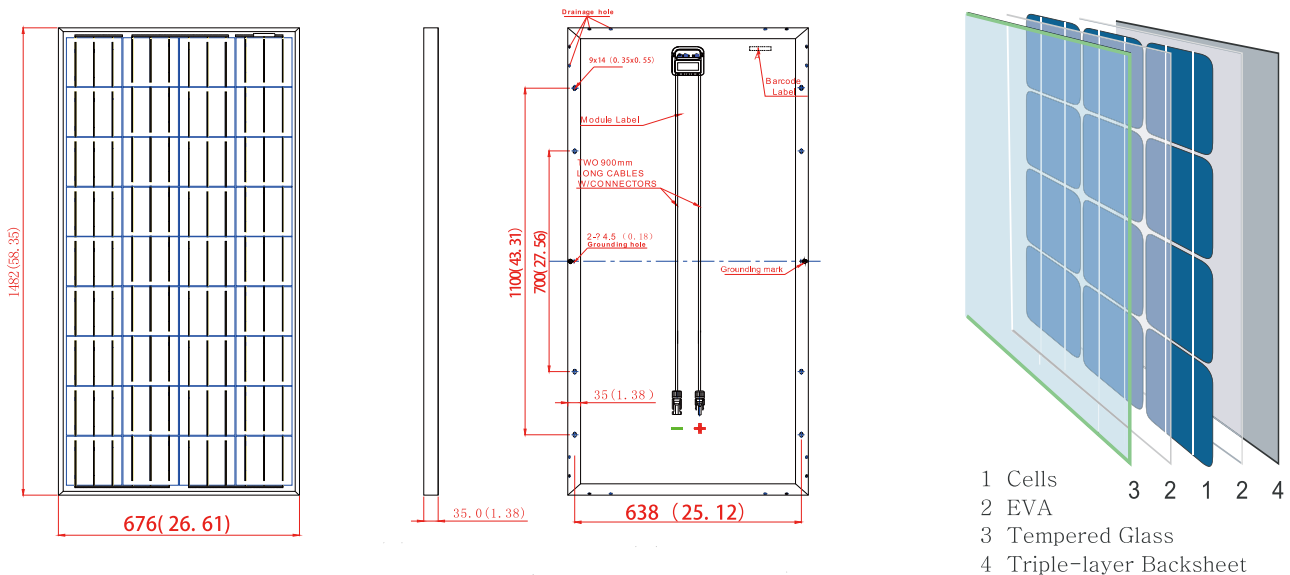
Also available on the web at
EnergyPal.com/jiangsu-hosun-solar-power-co-ltd-solar-panels/jhx-155p36

ELECTRICAL CHARACTERISTICS

Module Type	JHX-155P36	JHX-150P36	JHX-145P36	JHX-140P36	JHX-135P36
Maximum Power at STC (Pmax)	155W	150W	145W	140W	135W
Maximum Power Voltage (Vmp)	18.28	18.10	17.85	17.60	17.87
Maximum Power Current (Imp)	8.481	8.301	8.131	7.961	7.555
Open Circuit Voltage (Voc)	23.05	22.95	22.55	22.40	22.18
Short Circuit Current (Isc)	8.510	8.500	8.471	8.341	8.045
Module efficiency	15.4%	14.9%	14.4%	13.9%	13.4%
Maximum System Voltage	DC 1000V(TÜV) / DC 600V(UL)				
Operating Temperature	-40°C to +85°C				
Maximum Series Fuse Rating	10A				
Application Class	Class A				

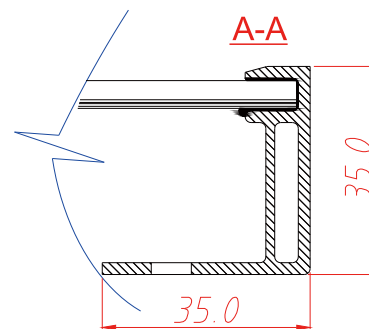
STC: Irradiation 1000W/m², Module Temperature 25°C, AM=1.5 ; Power Measurement Tolerance:±3%

PHYSICAL CHARACTERISTICS



MECHANICAL DATA

Dimension	1482x676x35 (58.35x26.61x1.38)
Cell Type	Poly Crystalline Silicon, 156mmx156mm
Number of cells	36 cell in series (9x4)
Weight	10.0kg±0.5kg
Front Glass	High Transparency Solar Glass 3.2mm
Frame	Anodized Aluminium Alloy
Junction Box	TUV:IP65 rated/IP67 rated, 2 diodes
Cable	Photovoltaic Technology 4.0mm, 700mm
Connector	MC-4/DJ2011-4 (SHIHE) Compatible



TEMPERATURE RATINGS

Normal Operating Cell Temperature (Noct) :	47°C (±2°C)
Temperature Coefficient of Pmax	-0.48%/°C
Temperature Coefficient of Voc	0.34%/°C
Temperature Coefficient of Isc	0.05%/°C
NOCT: Irradiation 800W/m ² , ambient temperature 20 °C, wind speed 1m/s	

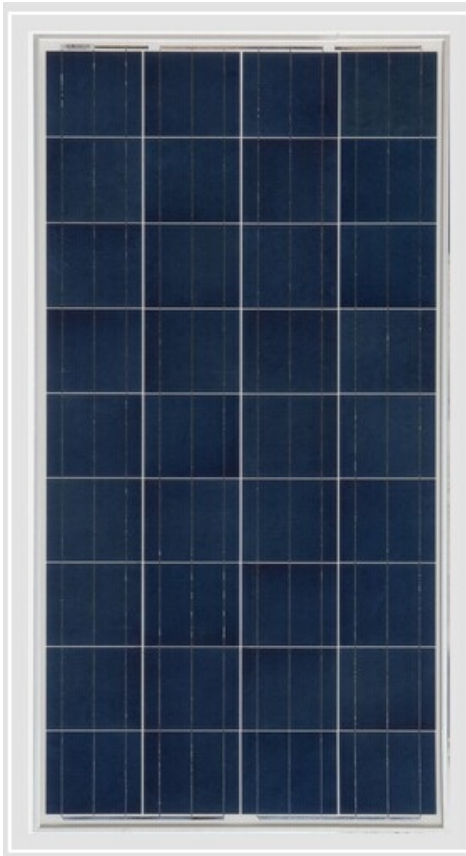
PACKING CONFIGURATION

Container	40GP	40HC	20GP
Pieces per pallet	56 (35*35)	84 (35*35)	56 (35*35)
Pallets per container	20	14	7
Pieces per container	784	1176	392



JHX-P36XXXW

Peak Power **135-155** wp



Guaranteed 0-5wp plus output tolerance ensures high return on investment



Module efficiency(up to 15.4%)through superior manufacturing technology



Module can bear snow loads up to 5400Pa and wind loads up to 2400Pa



Certified by the most reputable labs according to IEC:61215;IEC:61730-1/2 standards



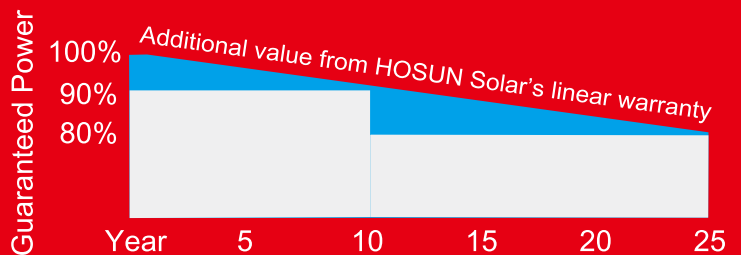
Manufactured and certified according to International Quality and Environment Management System (ISO9001,ISO14001,ISO18000)



linear performance warranty

10 years product warranty

25 years power warranty



Superior Frame Design
Specially designed drainage holes and rigid construction prevent frames from deforming. Screwless frame design for a long term durability.



The new aluminum alloy (without mounting hole) is quicker in installation and better in protecting module, thus saving the mounting expense. It can help to avoid cracks on solar cells caused during the installment.