

For a Free Quote:

Web: EnergyPal.com/solar

Call: 1-800-990-3725

Email: contact@energypal.com

EnergyPal

Solar Panel Guide Specification Data Sheet

JAHA Solar SH.P.K JSM 60 Cells Series JSM 290W

Also available on the web at
EnergyPal.com/jaha-solar-sh-p-k-solar-panels/jsm-290w

The logo for JAHA SOLAR features the word "JAHA" in a large, white, bold, sans-serif font. A stylized orange graphic element, resembling a solar panel or a roof edge, is positioned above the letter "A". Below "JAHA", the word "SOLAR" is written in a smaller, orange, bold, sans-serif font. The background of the entire page is a dark blue gradient with a faint, repeating pattern of solar panels.

JAHA
SOLAR

The text "JSM 60 Cells Series" is centered within a large, orange, trapezoidal shape that has a 3D effect, appearing to be a block or a sign. The text is in a dark blue, bold, sans-serif font. The background behind this shape is a dark blue gradient with a faint, repeating pattern of solar panels.

**JSM 60 Cells
Series**

JM SERIES OF MONOCRYSTALLINE SOLAR MODULES

Proven Quality Made in Kosovo

Most advanced know-how combined with precision, innovation and solid workman-ship these are the characteristics of the Jaha Solar, headquartered in Prishtina (Kosovo). Jaha Solar has established itself as a leading supplier of high performance solar modules. State-of-the-art manufacturing facilities and strict quality management across the entire process chain are key to the high level quality of our modules

Our customers benefit from 100% assurance and reliability in all areas and on all aspects of our solar modules.

The Highlights

- 12-year product guarantee
- 100 % PID free
- Proven German quality of products and manufacturing facilities
- Particularly stabiler aluminium frame (35 mm, snow load class III)
- Maximum energy yield and high annual power output
- 12-year achievement guarantee on min. 90% of the given nominal achievement
- 25-year achievement guarantee on min. 80%
- Products made in Europe



Basic Data

Dimensions: (L) 1648 mm x (B) 998 mm x (T) 35 mm;

Weight: 17,5 kg;

Number of cells: 60; Cell

Size: 157 mm x 157 mm

Cell material: Monocrystalline Si;

Front cover: Solar glass,

Backside film: polymer

Frame material: aluminum

Cable length: 1000 mm;

Connector type: MC4 compatible

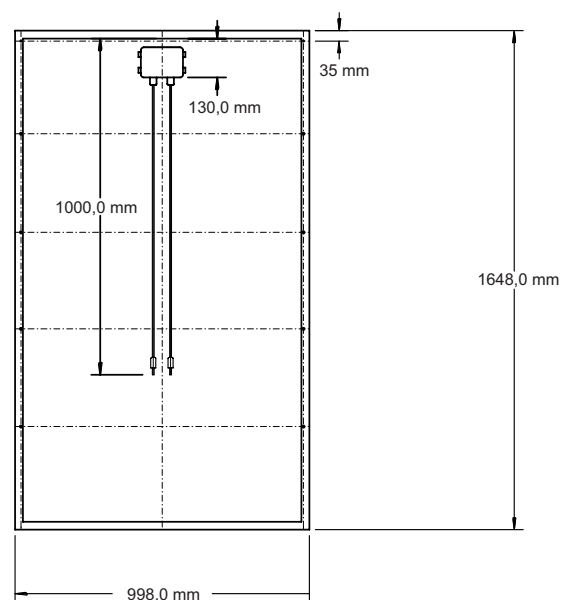
Bypass diodes: 3

IP 65

Manufactured and tested according to IEC standard

61215 and DIN 61730. TÜV-Nord certified.

Climate neutral prepared.





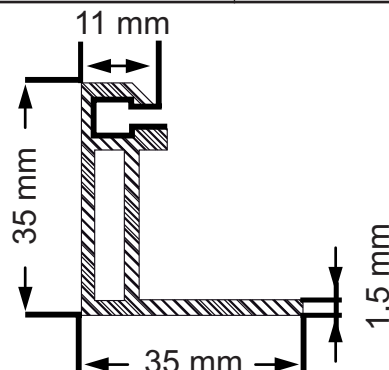
Backsheet: white
Frame: silver

Electric Data(STC*)	JSM 275W	JSM 280W	JSM 285W	JSM 290W	JSM 295W	JSM 300W
Rated output P _{mpp}	275 W	280 W	285 W	290 W	295 W	300 W
Rated current I _{mpp}	8,64 A	8,76 A	8,86 A	8,98 A	9,04 A	9,08 A
Rated voltage U _{mpp}	31,89 V	32,13 V	32,25 V	32,55 V	32,85 V	33,09 V
Short circuit current I _{sc}	9,15 A	9,26 A	9,35 A	9,55 A	9,59 A	9,62 A
Open circuit voltage U _{oc}	38,01 V	38,19 V	38,19 V	38,85 V	39,03 V	39,26 V
Efficiency	16,7 %	17,0 %	17,3 %	17,6 %	17,9 %	18,2 %
Sorting	+4,99/0 W	+4,99/0 W	+4,99/0 W	+4,99/0 W	+4,99/0 W	+4,99/0 W
Maximum Voltage	1000 V	1000 V	1000 V	1000 V	1000 V	1000 V

Temperature coefficient	Unit	Value
$\alpha_{I_{sc}}$	[%/°C]	0.043
$\beta_{V_{oc}}$	[%/°C]	-0.320
$\gamma_{P_{max}}$	[%/°C]	-0.420

Irradiance [W/m ²]	Open-Circuit Voltage [%]	Short-circuit current [%]	Maximum Power [%]
1000	100.0	100.0	100.0
800	99.10	80.08	80.24
600	97.84	60.00	59.99
400	96.22	40.00	39.68
200	93.32	19.98	19.30

Accuracy of other el. data 10%



Continuous research and development plays a major role in opening up new possibilities in the manufacturing of solar modules. At Jaha Solar, we consider it our job to be a pacemaker in this process. For this reason, the data and measurements given in this product data sheet can be subject to change at short notice. No legal claims may be derived from the contents of these product data sheets. Jaha Energy assumes no liability for the usage of the information contained therein or for any consequences resulting there from.

*Under Standard Test Conditions (STC): 1000W/m², AM 1.5, Cell temp 25 °C

info@jahasolar.com
www.jahasolar.com