

**For a Free Quote:**

**Web: [EnergyPal.com/solar](http://EnergyPal.com/solar)**

**Call: 1-800-990-3725**

**Email: [contact@energypal.com](mailto:contact@energypal.com)**

# **EnergyPal**

## **Solar Panel Guide Specification Data Sheet**

### **JAHA Solar SH.P.K JSP 60 Cells Series JSP 250W**

Also available on the web at  
[EnergyPal.com/jaha-solar-sh-p-k-solar-panels/jsp-250w](http://EnergyPal.com/jaha-solar-sh-p-k-solar-panels/jsp-250w)

**JAHÄ**  
**SOLAR**

**JSP 60 Cells  
Series**

# JP SERIES OF POLYCRYSTALLINE SOLAR MODULES

## Proven Quality Made in Kosovo

Most advanced know-how combined with precision, innovation and solid workman-ship these are the characteristics of the Jaha Solar, headquartered in Prishtina (Kosovo). Jaha Solar has established itself as a leading supplier of high performance solar modules. State-of-the-art manufacturing facilities and strict quality management across the entire process chain are key to the high level quality of our modules

Our customers benefit from 100% assurance and reliability in all areas and on all aspects of our solar modules.

## The Highlights

- 12-year product guarantee
- 100 % PID free
- Proven German quality of products and manufacturing facilities
- Particularly stabiler aluminium frame (35 mm, snow load class III)
- Maximum energy yield and high annual power output
- 12-year achievement guarantee on min. 90% of the given nominal achievement
- 25-year achievement guarantee on min. 80%
- Products made in Europe



## Basic Data

Dimensions: (L) 1648 mm x (B) 998 mm x (T) 35 mm;

Weight: 17,5 kg;

Number of cells: 60; Cell

Size: 157 mm x 157 mm

Cell material: Polycrystalline Si;

Front cover: Solar glass,

Backside film: polymer

Frame material: aluminum

Cable length: 1000 mm;

Connector type: MC4 compatible

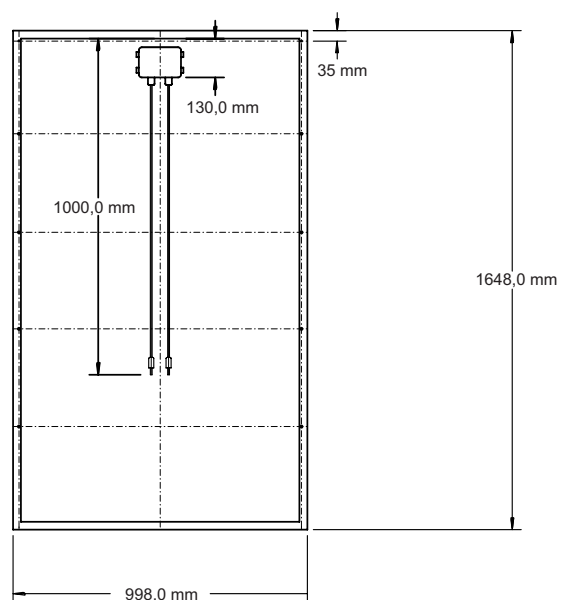
Bypass diodes: 3

IP 65

Manufactured and tested according to IEC standard

61215 and DIN 61730. TÜV-Nord certified.

Climate neutral prepared.





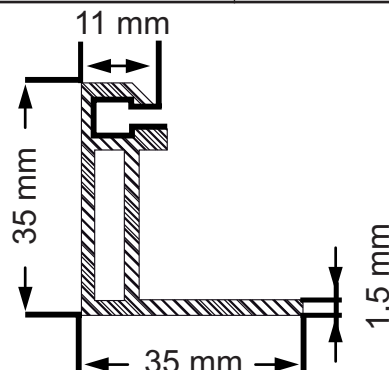
Backsheet: white  
Frame: silver

Electric Data(STC*)	JSP 250W	JSP 255W	JSP 260W	JSP 265W	JSP 270W
Rated output P <sub>mpp</sub>	250 W	255 W	260 W	265 W	270 W
Rated current I <sub>mpp</sub>	7,93 A	8,00 A	8,11 A	8,23 A	8,37 A
Rated voltage U <sub>mpp</sub>	30,35 V	31,94 V	32,18 V	32,21 V	32,38 V
Short circuit current I <sub>sc</sub>	8,49 A	8,57 A	8,69 A	8,78 A	8,87 A
Open circuit voltage U <sub>oc</sub>	37,95 V	37,91 V	38,15 V	38,23 V	38,24 V
Efficiency	15,20 %	15,50 %	15,81 %	16,11 %	16,42 %
Sorting	+4,99/0 W	+4,99/0 W	+4,99/0 W	+4,99/0 W	+4,99
Maximum Voltage	1000 V	1000 V	1000 V	1000 V	1000 V

Temperature coefficient	Unit	Value
$\alpha_{I_{sc}}$	[%/°C]	0.057
$\beta_{V_{oc}}$	[%/°C]	-0.308
$\gamma_{P_{max}}$	[%/°C]	-0.406

Irradiance [W/m <sup>2</sup> ]	Open-Circuit Voltage [%]	Short-circuit current [%]	Maximum Power [%]
1000	100.0	100.0	100.0
800	99.0	79.99	80.18
600	97.70	59.90	59.85
400	95.96	39.87	39.95
200	92.83	19.94	19.13

Accuracy of other el. data 10%



Continuous research and development plays a major role in opening up new possibilities in the manufacturing of solar modules. At Jaha Solar, we consider it our job to be a pacemaker in this process. For this reason, the data and measurements given in this product data sheet can be subject to change at short notice. No legal claims may be derived from the contents of these product data sheets. Jaha Energy assumes no liability for the usage of the information contained therein or for any consequences resulting there from.

\*Under Standard Test Conditions (STC): 1000W/m<sup>2</sup>, AM 1.5, Cell temp 25 °C

[info@jahasolar.com](mailto:info@jahasolar.com)  
[www.jahasolar.com](http://www.jahasolar.com)