

For a Free Quote:

Web: [EnergyPal.com](https://energypal.com)

Call: **1-800-990-3725**

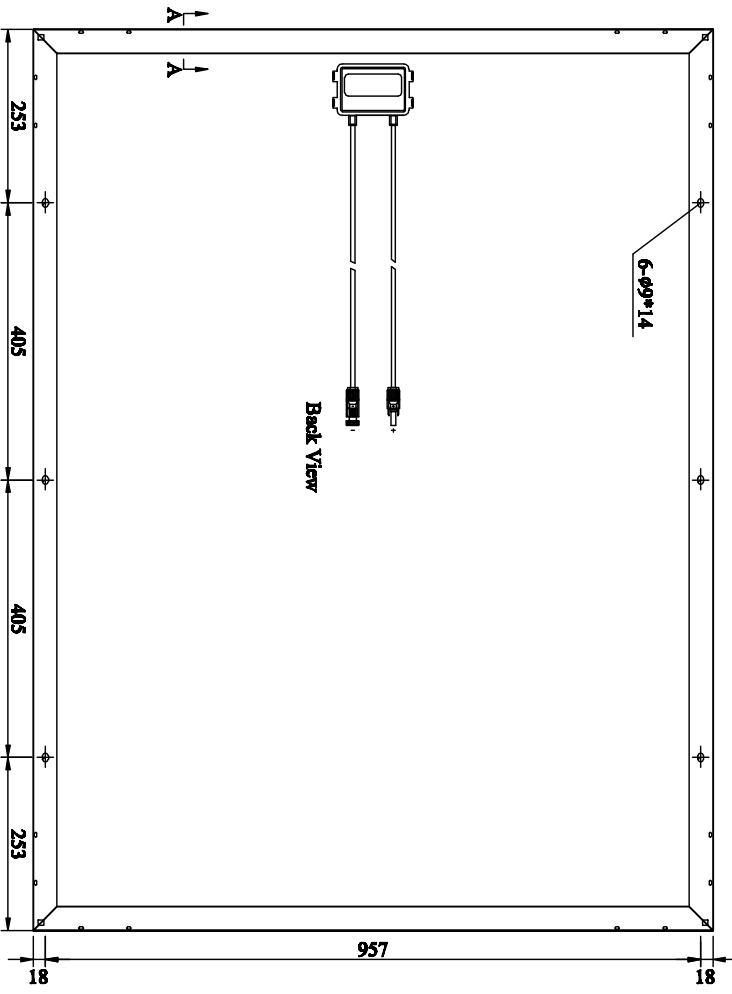
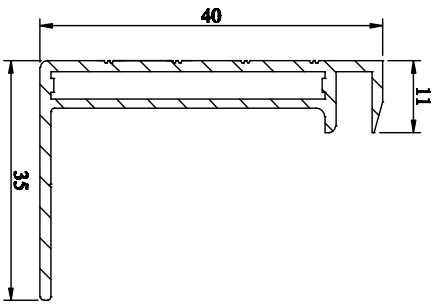
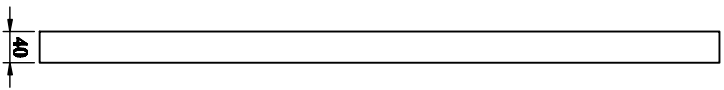
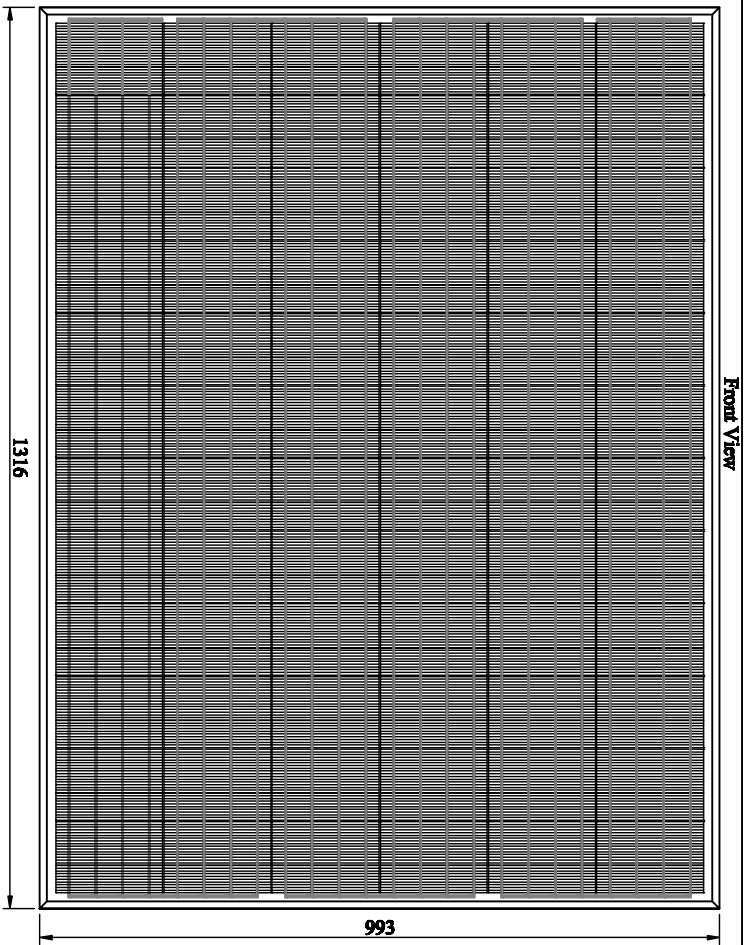
Email: contact@energypal.com

EnergyPal

Solar Panel Guide

Specification Data Sheet

Learn more at energypal.com/best-solar-panels-for-homes



Model: KF200P-24
Max. Power (Pm): 200W
Open Circuit Voltage (Voc): 43V
Max. Power Voltage (Vmp): 35V
Max. Power Current (Imp): 5.71A
Short Circuit current (Isc): 6.37A
Module Dimension: 1316*993*40mm