

**For a Free Quote:**

Web: [EnergyPal.com](https://energypal.com)

Call: **1-800-990-3725**

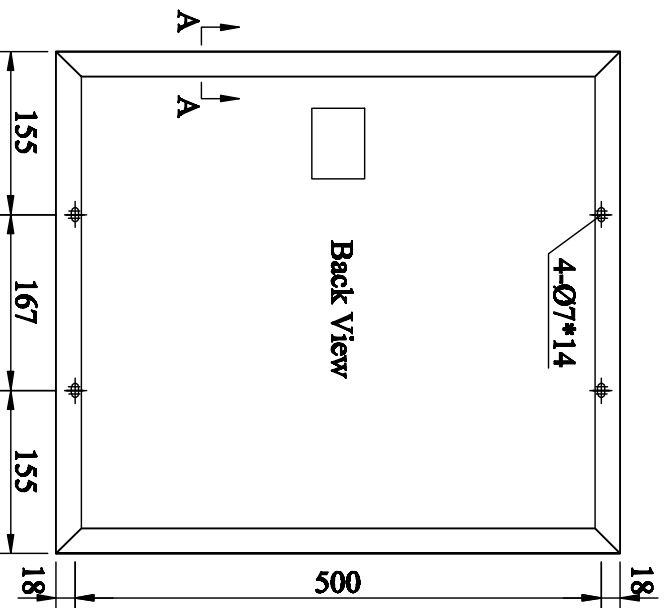
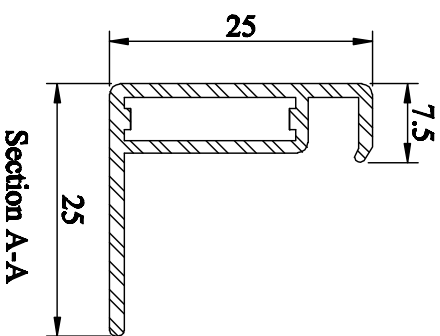
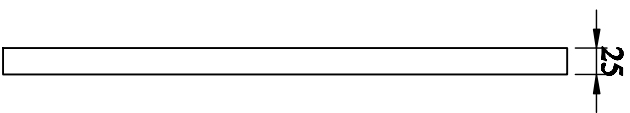
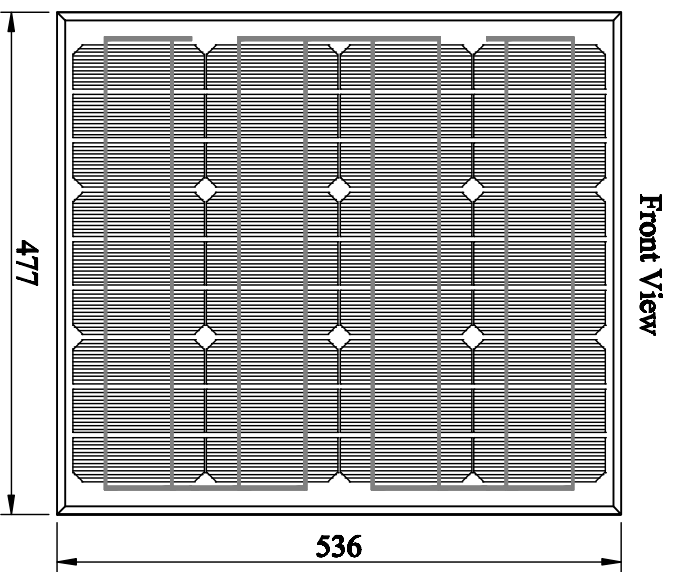
Email: [contact@energypal.com](mailto:contact@energypal.com)

# EnergyPal

**Solar Panel Guide**

**Specification Data Sheet**

Learn more at [energypal.com/best-solar-panels-for-homes](https://energypal.com/best-solar-panels-for-homes)



**Model:** KF30M-12  
**Max. Power (Pm):** 30W  
**Open Circuit Voltage (Voc):** 22.4V  
**Max. Power Voltage (Vmp):** 18.2V  
**Max. Power Current (Imp):** 1.65A  
**Short Circuit current (Isc):** 1.79A  
**Module Dimension:** 477\*536\*25mm