

**For a Free Quote:**

Web: [EnergyPal.com/solar](http://EnergyPal.com/solar)

Call: 1-800-990-3725

Email: [contact@energypal.com](mailto:contact@energypal.com)

# EnergyPal

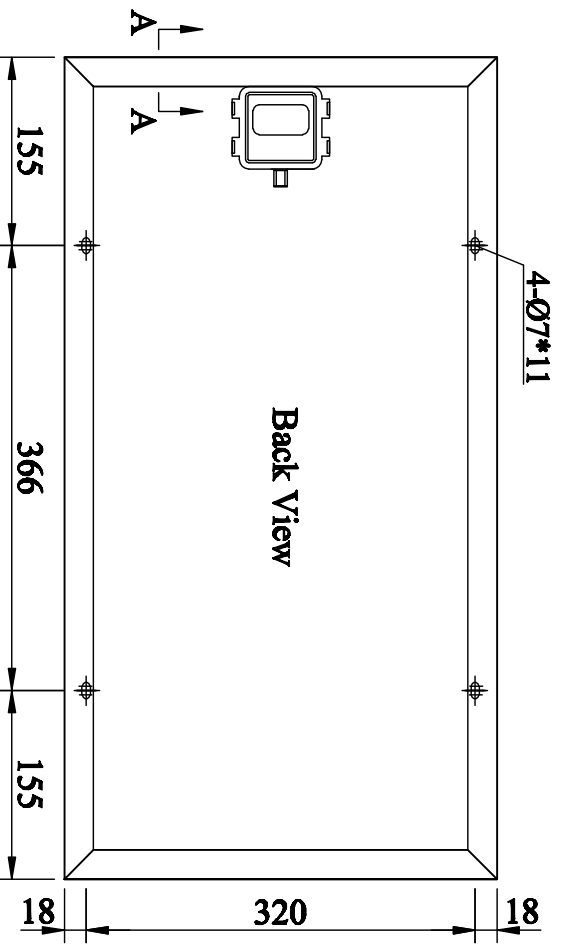
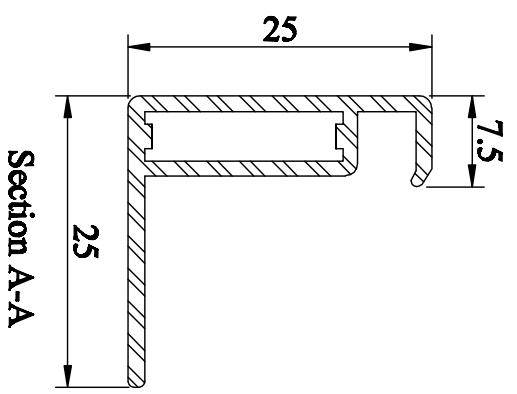
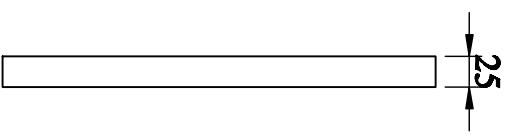
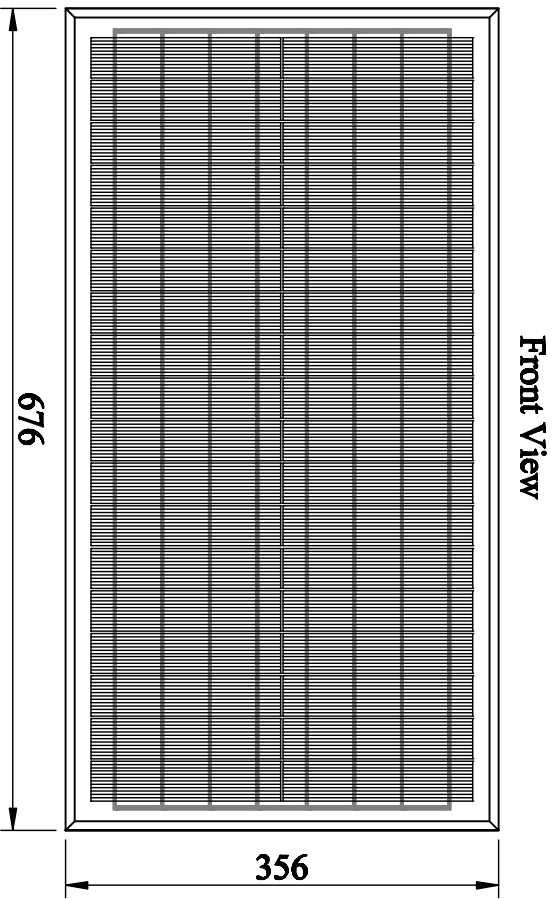
## **Solar Panel Guide Specification Data Sheet**

**KF Solar Tech Group Corp.**

**KF30P-12**

**KF30P-12**

Also available on the web at  
[EnergyPal.com/kf-solar-tech-group-corp-solar-panels/kf30p-12](http://EnergyPal.com/kf-solar-tech-group-corp-solar-panels/kf30p-12)



**Model: KFF30P-12**  
**Max. Power (P<sub>m</sub>): 30W**  
**Open Circuit Voltage (V<sub>oc</sub>): 21.5V**  
**Max. Power Voltage (V<sub>mp</sub>): 17.5V**  
**Max. Power Current (I<sub>mp</sub>): 1.71A**  
**Short Circuit current (I<sub>sc</sub>): 1.91A**  
**Module Dimension : 676\*356\*25mm**