

For a Free Quote:

Web: EnergyPal.com/solar

Call: 1-800-990-3725

Email: contact@energypal.com

EnergyPal

Solar Panel Guide Specification Data Sheet

ET Solar (Hong Kong)

M6-150-170

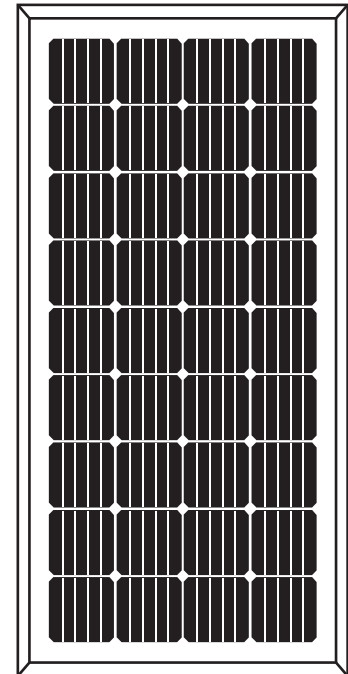
M6-160

Also available on the web at
EnergyPal.com/et-solar-hong-kong-solar-panels/m6-160

Raw materials and Mechanical Parameters

	M6-150	M6-155	M6-160	M6-165	M6-170
Type of Cells(mm)	mono156 × 156				
NO. of Cells and Connections	4 × 9=36				
Dimensions(mm)(L*W*H)	1470 × 670 × 30				
Weight(kg)	11.0				
Glass	3.2mm Tempered Glass				
Encapsulation	EVA				
Backsheet	Multilayer Composite				
Aluminium-Frame	Silvery/Black Anodized aluminium alloy				
Junction-Box	IP65/IP67				
Cable	NA, but customized is acceptable				
Connector	NA, but MC4 and MC4 Compatible are acceptable				
Package Configuration	4pcs/ctn				

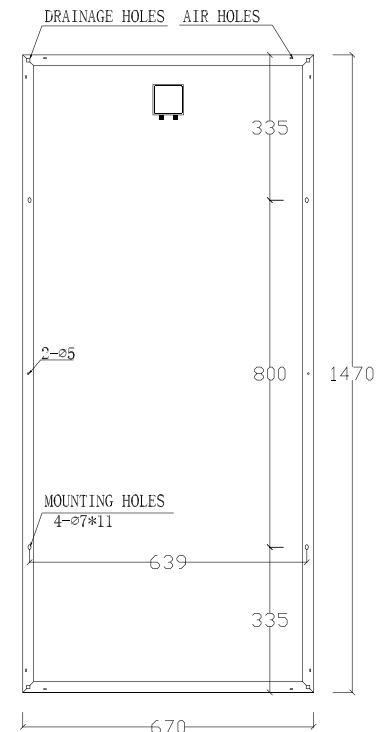
▼ Engineering Drawings (Front Side)



Performance Parameters

	M6-150	M6-155	M6-160	M6-165	M6-170
Maximum System Voltage	700V				
Operating Temperature	-45~+80°C				
Maximum Series Fuse	10A				
Maximum Static Load, Front Side (e.x. Snow, Wind)	5400Pa				
Maximum Static Load, Back Side (e.x. Wind)	2400Pa				
Application Grade	Class A				

▼ Engineering Drawings (Back Side)



Electrical Parameters (Standard Test Condition)

	M6-150	M6-155	M6-160	M6-165	M6-170
Rated Maximum Power(Mp)	150W	155W	160W	165W	170W
Power Tolerance	0~ +5W				
Cell Efficiency	17.7%	18.2%	18.8%	18.9%	19.5%
Open Circuit Voltage(Voc)	22.4V	22.5V	22.6V	22.7V	22.8V
Maximum Power Voltage(Vmp)	17.5V	17.6V	17.7V	17.8V	17.9V
Short Circuit Current(Isc)	9.05A	9.28A	9.52A	9.71A	9.93A
Maximum Power Current(Imp)	8.63A	8.81A	9.04A	9.27A	9.50A
Temperature Coefficient of Isc	+0.06%				
Temperature Coefficient of Voc	-0.32%				
Temperature Coefficient of Pmp	-0.45%				
Standard Test Condition	Irradiance:1000W/M2, Cell Temperature:25°C, Spectrum AM:1.5				

The Electrical Parameters of the module are the average theory figure under the standard test condition, each one exists difference. Can not be treated as the basis of module delivery.