

**For a Free Quote:**

Web: [EnergyPal.com/solar](http://EnergyPal.com/solar)

Call: 1-800-990-3725

Email: [contact@energypal.com](mailto:contact@energypal.com)

# EnergyPal

## **Solar Panel Guide Specification Data Sheet**

**Mirsolar Energy A.S.  
MIR320P~330P 72C/P  
MIR325P 72C/P**

Also available on the web at  
[EnergyPal.com/mirsolar-energy-a-s-solar-panels/mir325p-72c-p](http://EnergyPal.com/mirsolar-energy-a-s-solar-panels/mir325p-72c-p)

# bir Dünya enerji

HIGH EFFICIENCY  
SOLAR MODULES  
**320W-340W**

**72**  
Cells  
Polycrystalline

**25%**

### Up to 25% More Energy

Increased energy yield & faster return on investment through module-level MPPT



### Safety Guaranty

Safety during installation, maintenance, firefighting & other emergencies



### Constraint Free Design

Maximum space utilization with minimum design time



### Cost Efficient Maintenance

Full visibility of system performance & remote troubleshooting

**PID**

Anti-PID



Positive current sorting

**25**  
YEAR

10-year product warranty  
25-year linear performance warranty



Fire test resistance



**IP68**

IP68 connectors enhance the reliability of the PV system



Certified to withstand increased loads of up to 5400Pa

[www.mirsolar.com.tr](http://www.mirsolar.com.tr)



**mirsolar**

[Twitter](#) [Instagram](#) [Facebook](#) [LinkedIn](#) /mirsolarenerji

# Solar Module

## ELECTRICAL TYPICAL VALUES

Model	MIR320P 72C/P	MIR325P 72C/P	MIR330P 72C/P	MIR335P 72C/PPERC	MIR340P 72C/PPERC
Type	Polycrystalline 6 Inch x 6 Inch Square, 6 x 12 Pieces in series				
Rated Power (Pmpp)	320	325	330	335	340
Tolerance	0~+5W				
Rated Voltage (Vmpp)	37,43	37,49	37,63	37,75	37,90
Rated Current (Impp)	8,57	8,70	8,78	8,86	8,98
Open Circuit Voltage (Voc)	45,95	46,03	46,18	46,38	46,50
Short Circuit Current (Isc)	9,07	9,17	9,25	9,33	9,56
Module Efficiency (%)	16,52	16,78	17,04	17,30	17,56
Nominal Operation Cell Temperature	45°C ± 2°C				
Voltage Temperature Coefficient	-0,31%/°C				
Current Temperature Coefficient	+0,06%/°C				
Power Temperature Coefficient	-0,40%/°C				

## MECHANICAL CHARACTERISTICS

Dimension (L x W x H)	Length: 1956mm (77.01 inch)
	Width: 992mm (39.06 inch)
	Height: 35 mm (1.38 inch)
Weight	24kg (52.9 lbs)
Front Glass	3.2mm toughened glass
Frame	Anodized aluminium alloy
Cable	4mm <sup>2</sup> (IEC) / 12AWG (UL)
Junction Box	IP 68 rated

## ABSOLUTE MAXIMUM RATING

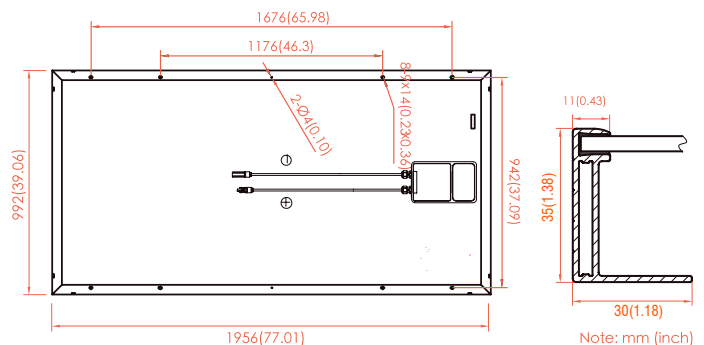
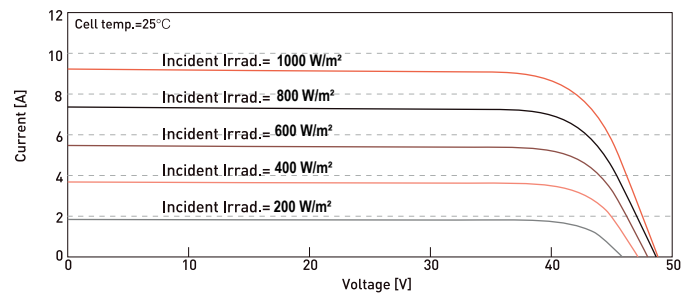
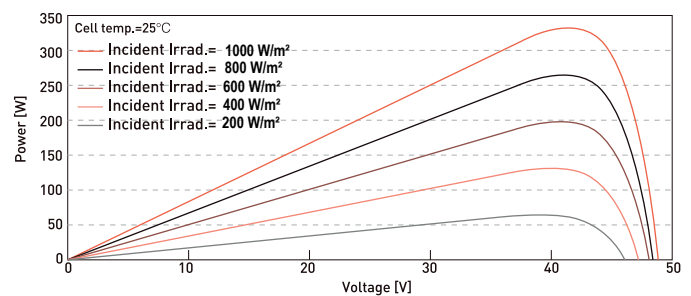
Parameter	Values
Operating Temperature	From -40 to +85°C
Hail Diameter @ 80km/h	Up to 25mm
Surface Maximum Load Capacity	Up to 5400Pa
Maximum Series Fuse Rating	15A
IEC Application Class (IEC61730)	A
Fire Rating (IEC61730)	C
Maximum System Voltage	DC 1000V (IEC)

## PACKING CONFIGURATION

Container	40'HQ	20'GP
Pieces / Container	576	200

- In compliance with our warranty terms and conditions.
- Measurement conditions under irradiance level of Standard Test Conditions (STC): 1000 W/m<sup>2</sup>, Air mass 1.5 Spectrum, cell temperature of 25°C.

## WEAK LIGHT PERFORMANCE



Genel Merkez / Headquarter  
Barbaros Mah. Ak Zambak Sk.  
Uphill Court Towers B Blok D:122  
Ataşehir İstanbul

Fabrika / Factory  
Sakarya I. Organize Sanayi  
Bölgesi II. Cadde No 10/B  
Arifiye Sakarya

T: +90 216 688 9100  
F: +90 216 688 8989  
[www.mirsolar.com.tr](http://www.mirsolar.com.tr)  
[info@mirsolar.com.tr](mailto:info@mirsolar.com.tr)

