

For a Free Quote:

Web: EnergyPal.com/solar

Call: 1-800-990-3725

Email: contact@energypal.com

EnergyPal

Solar Panel Guide Specification Data Sheet

**Mirsolar Energy A.S.
MIR320P~330P 72C/P
MIR330P 72C/P**

Also available on the web at
EnergyPal.com/mirsolar-energy-a-s-solar-panels/mir330p-72c-p

bir Dünya enerji

HIGH EFFICIENCY
SOLAR MODULES
320W-340W

72
Cells
Polycrystalline

25%

Up to 25% More Energy

Increased energy yield & faster return on investment through module-level MPPT



Safety Guaranty

Safety during installation, maintenance, firefighting & other emergencies



Constraint Free Design

Maximum space utilization with minimum design time



Cost Efficient Maintenance

Full visibility of system performance & remote troubleshooting

PID

Anti-PID



Positive
current sorting

25
YEAR

10-year product warranty
25-year linear performance
warranty



Fire test resistance



IP68 connectors
enhance the reliability
of the PV system



Certified to withstand
increased loads of
up to 5400Pa

www.mirsolar.com.tr



mirsolar

[Twitter](#) [Instagram](#) [Facebook](#) [LinkedIn](#) /mirsolarenerji

Solar Module

ELECTRICAL TYPICAL VALUES

Model	MIR320P 72C/P	MIR325P 72C/P	MIR330P 72C/P	MIR335P 72C/PPERC	MIR340P 72C/PPERC
Type	Polycrystalline 6 Inch x 6 Inch Square, 6 x 12 Pieces in series				
Rated Power (Pmpp)	320	325	330	335	340
Tolerance	0~+5W				
Rated Voltage (Vmpp)	37,43	37,49	37,63	37,75	37,90
Rated Current (Impp)	8,57	8,70	8,78	8,86	8,98
Open Circuit Voltage (Voc)	45,95	46,03	46,18	46,38	46,50
Short Circuit Current (Isc)	9,07	9,17	9,25	9,33	9,56
Module Efficiency (%)	16,52	16,78	17,04	17,30	17,56
Nominal Operation Cell Temperature	45°C ± 2°C				
Voltage Temperature Coefficient	-0,31%/°C				
Current Temperature Coefficient	+0,06%/°C				
Power Temperature Coefficient	-0,40%/°C				

MECHANICAL CHARACTERISTICS

Dimension (L x W x H)	Length: 1956mm (77.01 inch)
	Width: 992mm (39.06 inch)
	Height: 35 mm (1.38 inch)
Weight	24kg (52.9 lbs)
Front Glass	3.2mm toughened glass
Frame	Anodized aluminium alloy
Cable	4mm ² (IEC) / 12AWG (UL)
Junction Box	IP 68 rated

ABSOLUTE MAXIMUM RATING

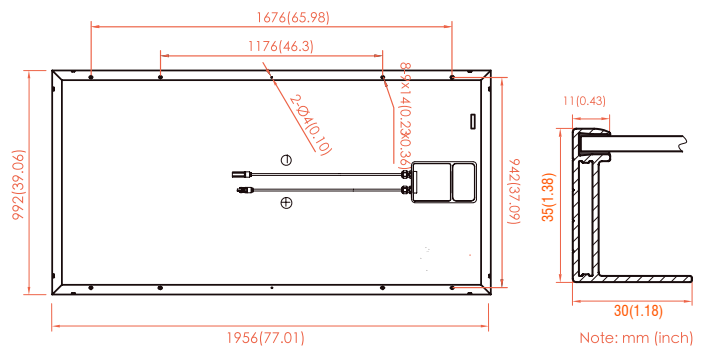
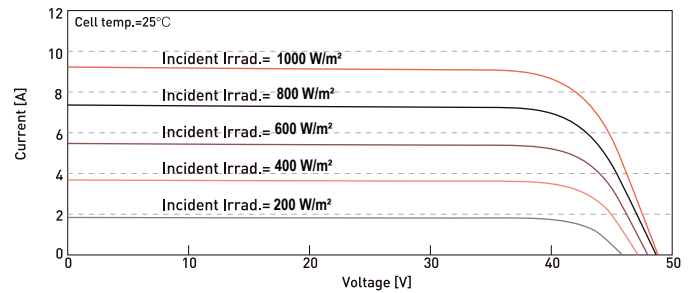
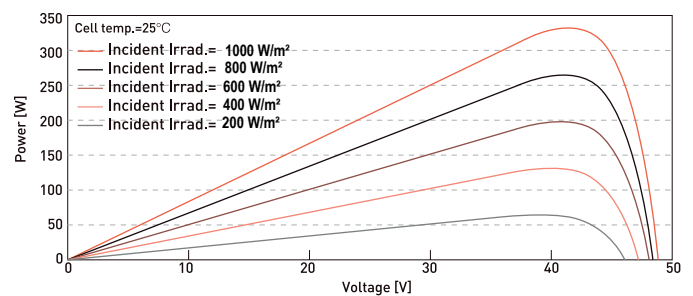
Parameter	Values
Operating Temperature	From -40 to +85°C
Hail Diameter @ 80km/h	Up to 25mm
Surface Maximum Load Capacity	Up to 5400Pa
Maximum Series Fuse Rating	15A
IEC Application Class (IEC61730)	A
Fire Rating (IEC61730)	C
Maximum System Voltage	DC 1000V (IEC)

PACKING CONFIGURATION

Container	40'HQ	20'GP
Pieces / Container	576	200

- In compliance with our warranty terms and conditions.
- Measurement conditions under irradiance level of Standard Test Conditions (STC): 1000 W/m², Air mass 1.5 Spectrum, cell temperature of 25°C.

WEAK LIGHT PERFORMANCE



Genel Merkez / Headquarter
Barbaros Mah. Ak Zambak Sk.
Uphill Court Towers B Blok D:122
Ataşehir İstanbul

Fabrika / Factory
Sakarya I. Organize Sanayi
Bölgesi II. Cadde No 10/B
Arifiye Sakarya

T: +90 216 688 9100
F: +90 216 688 8989
www.mirsolar.com.tr
info@mirsolar.com.tr

