

For a Free Quote:

Web: EnergyPal.com/solar

Call: 1-800-990-3725

Email: contact@energypal.com

EnergyPal

Solar Panel Guide Specification Data Sheet

Off Grid Renewable Energy OGRE 130 OGRE B130-J24

Also available on the web at
EnergyPal.com/off-grid-renewable-energy-solar-panels/ogre-b130-j24



130 WATT 12V & 24V SOLAR PANEL

Features

- Extra heavy gauge aluminum frame, designed for ease of mounting and durability
- Industry leading quality, manufactured with advanced encapsulation process
- 32 highly efficient back-contact monocrystalline cells
- Engineered for off-grid applications with conversion efficiencies >19%
- 1 1/2 square feet smaller than competitors' 130 watt modules
- Junction box is rain tight and has four 1/2" conduit or cable fitting knock-outs

Electrical Specifications:	OGRE B130-J12	OGRE B130-J24
Max Power	130 Watts	130 Watts
Max Power Voltage	19.8 Vmp	39.6 Vmp
Max Power Current	6.55 Imp	3.28 Imp
Open Circuit Voltage	24.1 Voc	48.2 Voc
Short Circuit Current	7.11 Isc	3.56 Isc
Maximum System Voltage	70 V	70 V
Series Fuse Rating	15 A	9 A
<i>Temperature Co-Efficients</i>		
Power	-0.38%/C	-0.38%/C
Voltage	-132mV/C	-66mV/C
Current	3.5mA/C	7.1mA/C
Cell Efficiency	19.70%	19.70%
Number of Cells in Series	36	72
Cell Type	BC Mono	BC Mono
Number of Strings in Parallel	4	2
Max Power Tolerance	+/- 5%	+/- 5%

25 Year Limited Warranty*

- 80% power output
- 10-year limited warranty of 90% power output
- 5-year limited warranty of materials and workmanship

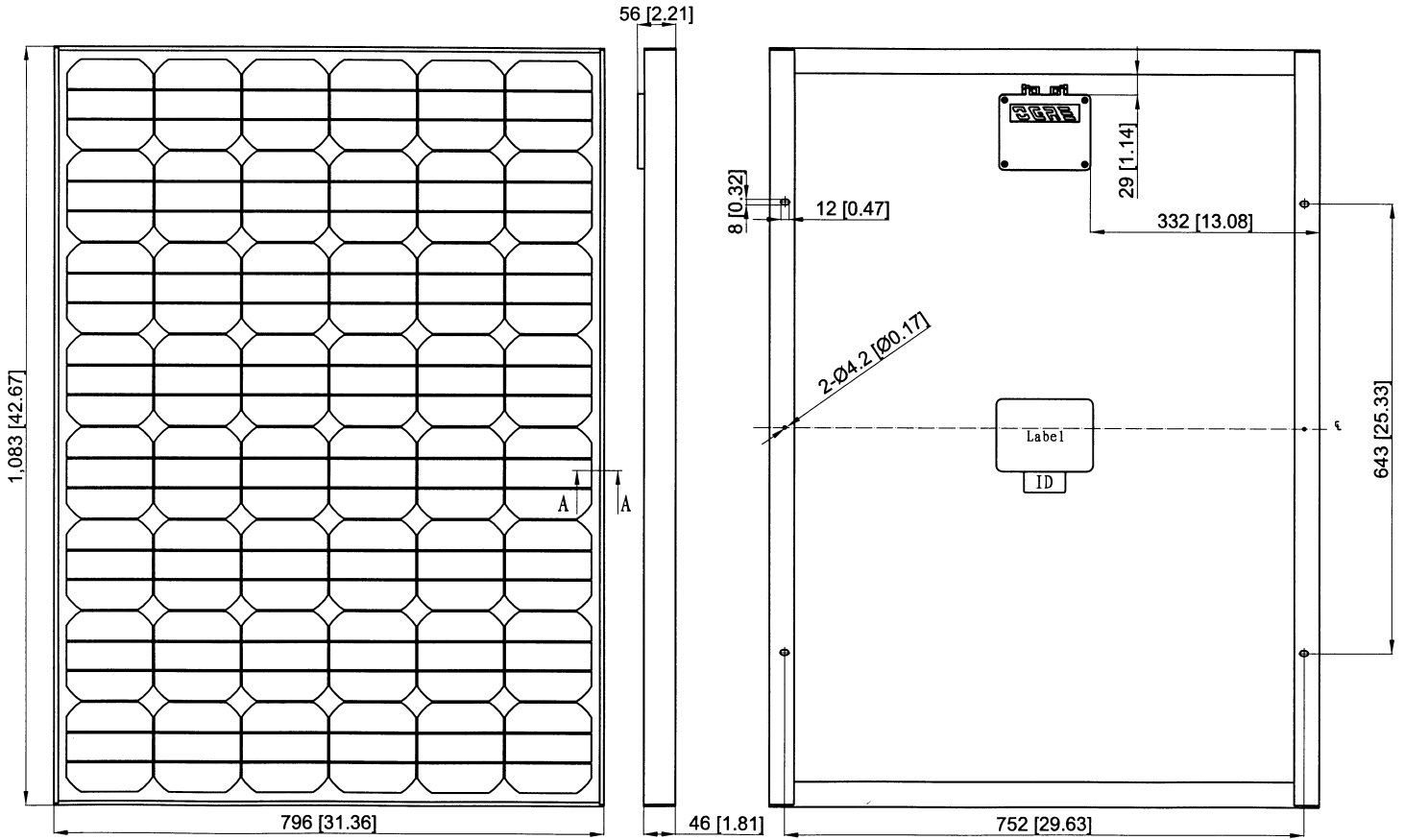
*Refer to OGRE's warranty document for terms and conditions

Certifications

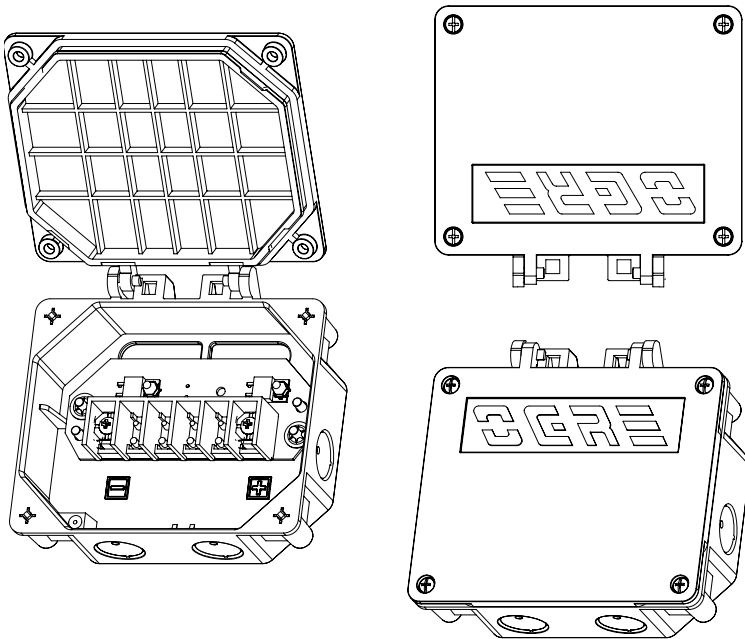
- *FM Approvals:*
 - Class 1, Division 2
 - Groups A, B, C, D
 - Hazardous Locations Type IP65, T5 @ Ta = -40°C to +90°C
- Manufactured in ISO 9001 certified factory

Mechanical Characteristics:	OGRE B130-J12	OGRE B130-J24
Weight	26.5 lbs	26.5 lbs
Dimension	42.6 x 31.3 in.	42.6 x 31.3 in.
Thickness, including junction box	2.13 in.	2.13 in.
Frame-aluminum	>10µm anodized	>10µm anodized

130 WATT 12V & 24V SOLAR PANEL



Junction Box



Cross Section

