

**For a Free Quote:**

Web: [EnergyPal.com/solar](http://EnergyPal.com/solar)

Call: 1-800-990-3725

Email: [contact@energypal.com](mailto:contact@energypal.com)

# EnergyPal

**Solar Panel Guide  
Specification Data Sheet**

**Off Grid Renewable Energy  
OGRE B180  
OGRE B180-J12**

Also available on the web at  
[EnergyPal.com/off-grid-renewable-energy-solar-panels/ogre-b180-j12](http://EnergyPal.com/off-grid-renewable-energy-solar-panels/ogre-b180-j12)



# 180 WATT 12V & 24V SOLAR PANEL

Order # : 12V: 09525 & 24V: 09526

Model: OGRE B180-J12 & B180-J24

## Features

- Extra heavy gauge aluminum frame, designed for ease of mounting and durability
- Industry leading quality, manufactured with advanced encapsulation process
- 60 highly efficient back-contact monocrystalline cells
- Engineered for off-grid applications with module efficiencies >17%
- Junction box is rain tight and has four 1/2" conduit or cable fitting knock-outs
- 12V model also available

Electrical Specifications:	OGRE B180-J12	OGRE B180-J24
Max Power	180 Watts	180 Watts
Max Power Voltage	16.8 Vmp	33.6 Vmp
Max Power Current	10.72 Imp	5.36 Imp
Open Circuit Voltage	20.3 Voc	40.6 Voc
Short Circuit Current	11.92 Isc	5.96 Isc
Maximum System Voltage	70 V	70 V
Series Fuse Rating	9 A	9 A
<i>Temperature Co-Efficients</i>		
Power	-0.38%/C	-0.38%/C
Voltage	-110mV/C	-110mV/C
Current	5.3mA/C	5.3mA/C
Cell Efficiency	20.50%	20.50%
Number of Cells in Series	30	60
Cell Type	1	1
Number of Strings in Parallel	Mono	Mono
Max Power Tolerance	±5%	±5%

Mechanical Characteristics:	OGRE B180-J12 & J-24
Weight	30.86 lbs
Dimension	51.3" x 31.3" in.
Thickness, including junction box	2.13 in.
Frame-aluminum	>10µm anodized

## 25 Year Limited Warranty\*

- 80% power output
- 10-year limited warranty of 90% power output
- 5-year limited warranty of materials and workmanship

\*Refer to OGRE's warranty document for terms and conditions

## Certifications

- *FM Approvals:*
  - Class 1, Division 2
  - Groups A, B, C, D
  - Hazardous Locations Type IP65, T5 @ Ta = -40°C to +90°C
- Manufactured in ISO 9001 certified factory

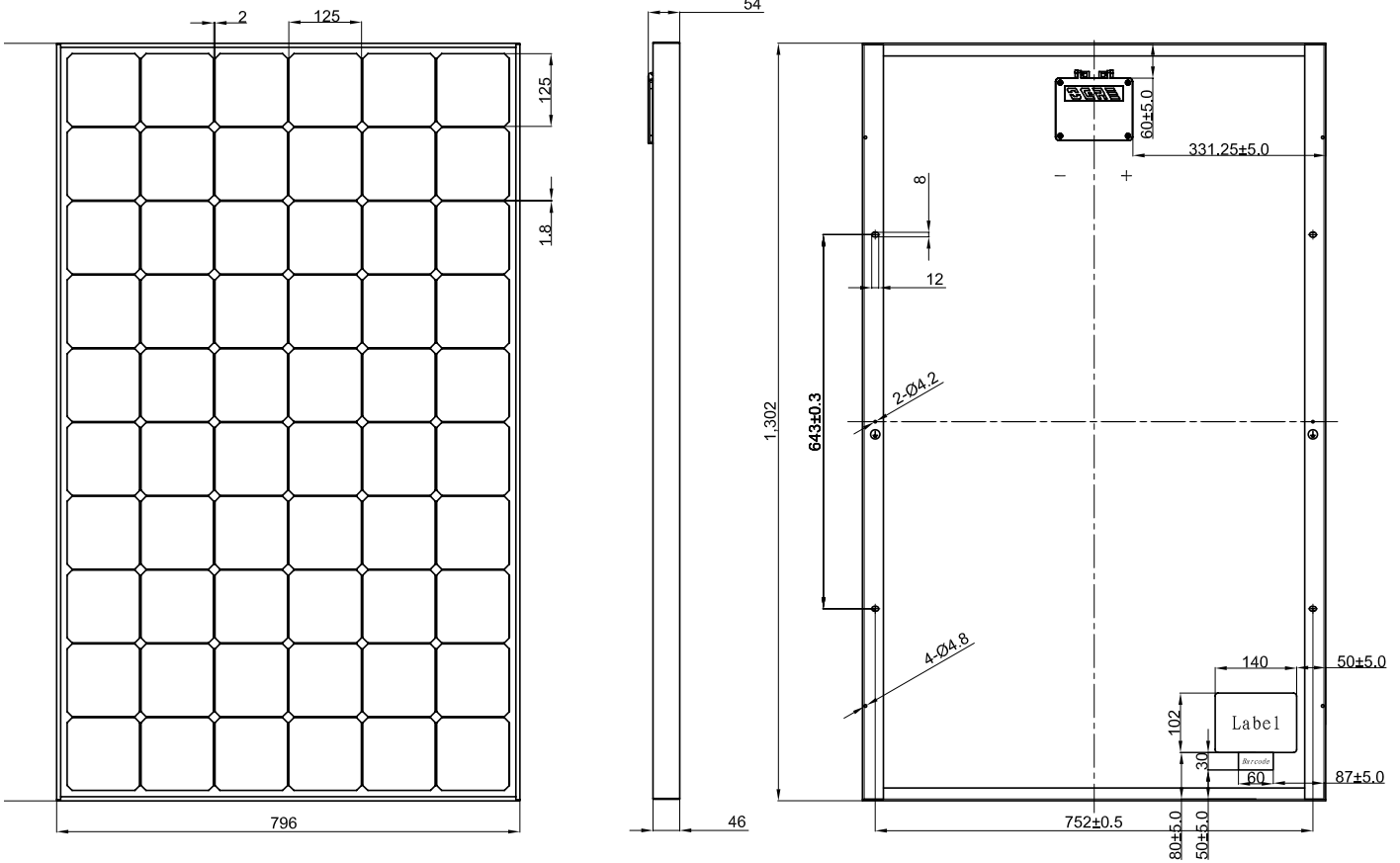
Authorized Dealer:



**AUTOMATION-X**

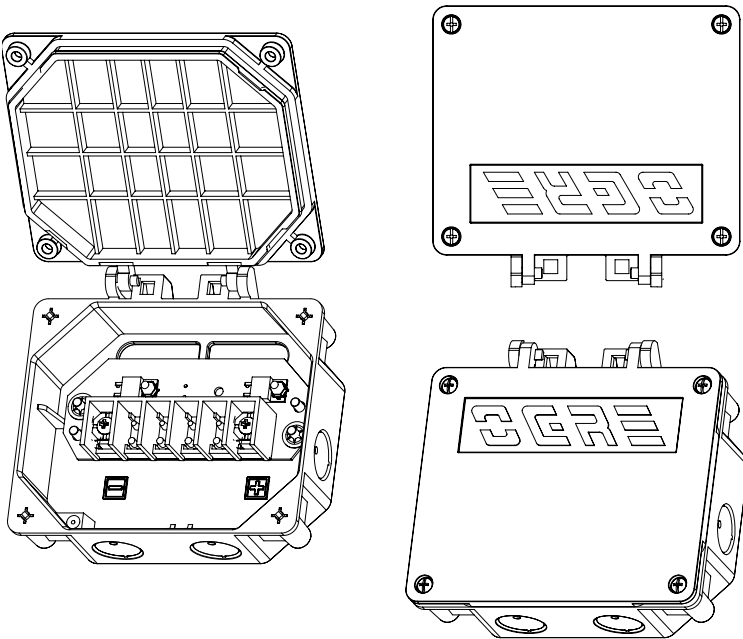
800.898.2899 automation-x.com

# 180 WATT 24V SOLAR PANEL

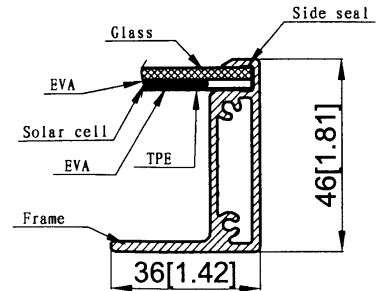


Measurements are in millimeters

## Junction Box



## Cross Section



ogreenergy.com

This publication summarizes product warranty and specifications which are subject to change without notice.

Authorized Dealer:



**AUTOMATION-X**

800.898.2899 automation-x.com