

For a Free Quote:

Web: **EnergyPal.com/solar**

Call: **1-800-990-3725**

Email: **contact@energypal.com**

EnergyPal

Solar Panel Guide Specification Data Sheet

ET Solar (Hong Kong)

P6-270-285

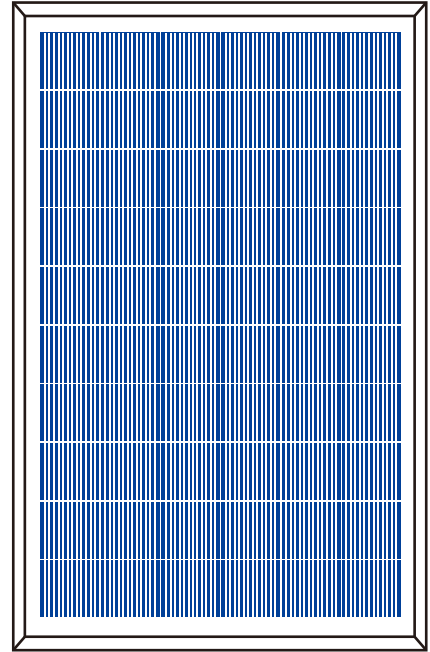
P6-275

Also available on the web at
EnergyPal.com/et-solar-hong-kong-solar-panels/p6-275

Raw materials and Mechanical Parameters

	P6-275	P6-280	P6-285
Type of Cells(mm)	poly156.75×156.75		
NO. of Cells and Connections	6×10=60		
Dimensions(mm)(L*W*H)	1640×992×35		
Weight(kg)	19		
Glass	3.2mm Tempered Glass		
Encapsulation	EVA		
Backsheet	Multilayer Composite		
Aluminium-Frame	Silver/Black Anodized aluminium alloy		
Junction-Box	IP67/IP68		
Cable	4mm ²		
Connector	MC4 and MC4 Compatible		
Package Configuration	30pcs/pallet		

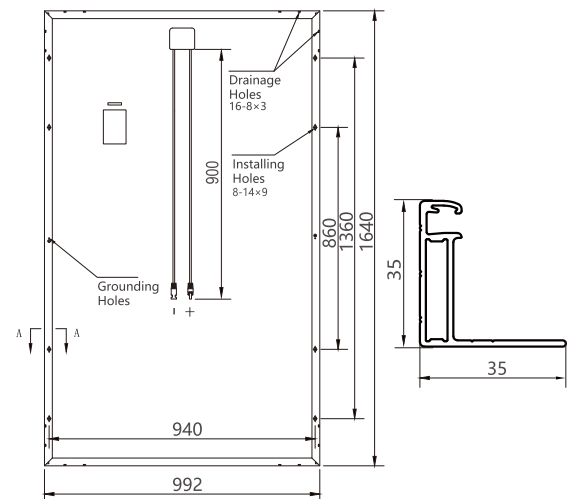
▼ Engineering Drawings (Front Side)



Performance Parameters

	P6-275	P6-280	P6-285
Maximum System Voltage	1000/1500V		
Operating Temperature	-40~+85°C		
Maximum Series Fuse	15A		
Maximum Static Load, Front Side (e.x. Snow, Wind)	5400PA		
Maximum Static Load, Back Side (e.x. Wind)	2400PA		
Application Grade	Class A		

▼ Engineering Drawings (Back Side)



Electrical Parameters (Standard Test Condition)

	P6-275	P6-280	P6-285
Rated Maximum Power(Pmp)	275W	280W	285W
Power Tolerance	0~ +5W		
Module Efficiency	16.80%	17.11%	17.41%
Open Circuit Voltage(Voc)	38.88	39.12	39.35
Maximum Power Voltage(Vmp)	31.19	31.38	31.56
Short Circuit Current(Isc)	9.35	9.45	9.56
Maximum Power Current(Imp)	8.82	8.93	9.04
Temperature Coefficient of Isc	+0.06%/°C		
Temperature Coefficient of Voc	-0.31%/°C		
Temperature Coefficient of Pmp	-0.40%/°C		
Standard Test Condition	Irradiance:1000WM ² , Cell Temperature:25°C, Spectrum AM:1.5		

The Electrical Parameters of the module are the average theory figure under the standard test condition, each one exists difference. Can not be treated as the basis of module delivery.