

**For a Free Quote:**

**Web: [EnergyPal.com/solar](http://EnergyPal.com/solar)**

**Call: 1-800-990-3725**

**Email: [contact@energypal.com](mailto:contact@energypal.com)**

# **EnergyPal**

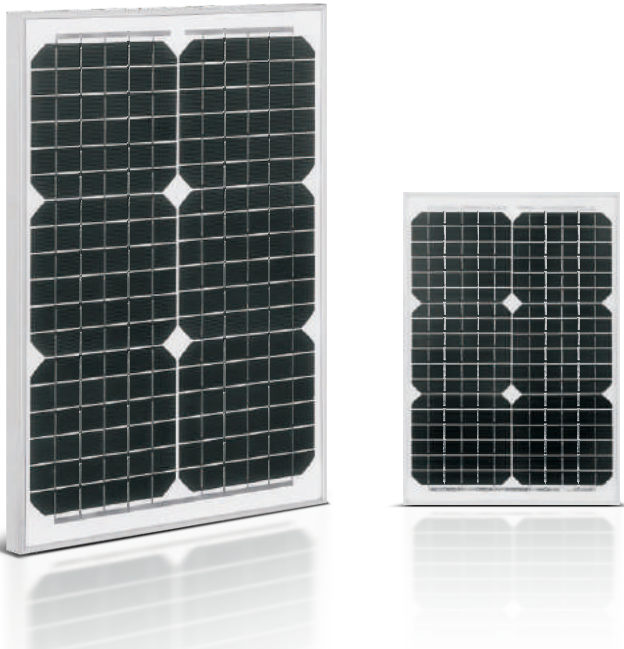
## **Solar Panel Guide Specification Data Sheet**

**Guangdong Prostar New Energy Technology Co.,  
Ltd.**

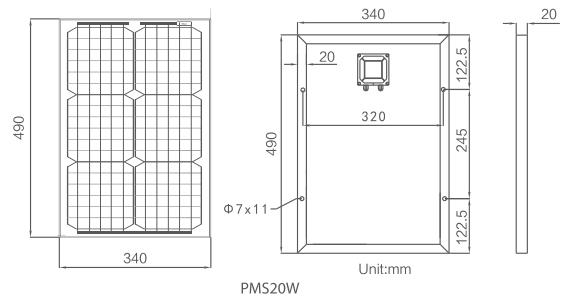
**PMS5-25W**

**PMS25W**

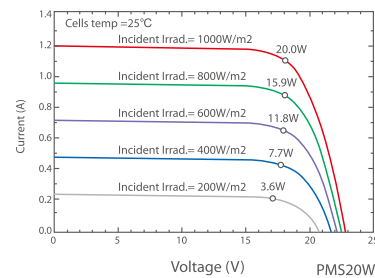
Also available on the web at  
[EnergyPal.com/guangdong-prostar-new-energy-technology-co-ltd-solar-panels/pms25w](http://EnergyPal.com/guangdong-prostar-new-energy-technology-co-ltd-solar-panels/pms25w)



## Engineering Drawings 装配图



## Current-Voltage Curves 曲线图



## Technical Specifications 技术参数

Model	PMS5W		PMS10W		PMS15W		PMS20W		PMS25W	
<b>Electrical Characteristics 电性能</b>										
	<b>STC</b>	<b>NOCT</b>	<b>STC</b>	<b>NOCT</b>	<b>STC</b>	<b>NOCT</b>	<b>STC</b>	<b>NOCT</b>	<b>STC</b>	<b>NOCT</b>
Maximum Power (P <sub>max</sub> )	5Wp	3.9Wp	10Wp	7.9Wp	15Wp	12Wp	20Wp	15Wp	25Wp	19Wp
Maximum Power Voltage (V <sub>mpp</sub> )	9.0V	8.4V	18.0V	16.8V	18.0V	16.8V	18.0V	16.8V	18.0V	16.8V
Maximum Power Current (I <sub>mpp</sub> )	0.56A	0.46A	0.56A	0.47A	0.83A	0.72A	1.11A	0.90A	1.39A	1.13A
Open Circuit Voltage (V <sub>oc</sub> )	11.3V	10.4V	22.5V	21.2V	22.5V	21.2V	22.5V	21.2V	22.5V	21.2V
Short Circuit Current (I <sub>sc</sub> )	0.60A	0.52A	0.60A	0.52A	0.90A	0.76A	1.20A	1.00A	1.50A	1.24A
Power Tolerance(Positive)	5%		5%		5%		5%		5%	
Module Efficiency STC	9.85%		10.14%		12.61%		12.00%		14.14%	
Operating Temperature Range	-40°C to +85°C									
Maximum System Voltage	715V									
Series Fuse Rating	8A									
Temperature Coefficient of P <sub>max</sub>	-0.40%/°C									
Temperature Coefficient of V <sub>oc</sub>	-0.30%/°C									
Temperature Coefficient of I <sub>sc</sub>	0.05%/°C									
Nominal Operating Cell Temperature(NOCT)	45±2°C									
<b>Mechanical Characteristics 机械性能</b>										
Cell Type	Monocrystalline 156x156 mm									
Cell Number	18(1x18)					36x(2x18)				
Dimensions (mm)	185x285x17		340x290x20		340x350x20		340x490x20		340x520x20	
Weight(Kgs)	0.40		1.20		1.50		2.00		2.16	
Front Glass	3.2 mm, High Transmission, Low Iron, Tempered Glass									
Frame Type	Anodized Aluminium Alloy									
Junction Box Protection Class	IP 67 Rated									
Connector Type	DC Connector									
Output Cables	0.75 mm <sup>2</sup> , Length: 5000 mm									

STC: Irradiance 1000W/m<sup>2</sup> Cell Temperature 25°C AM=1.5

NOCT: Irradiance 800W/m<sup>2</sup> Ambient Temperature 20°C AM=1.5 Wind Speed 1m/s