

For a Free Quote:

Web: EnergyPal.com/solar

Call: 1-800-990-3725

Email: contact@energypal.com

EnergyPal

Solar Panel Guide Specification Data Sheet

**LSIS Co., Ltd
PVM M250-260P-R1
PVM M260P-R1**

Also available on the web at
EnergyPal.com/lsis-co-ltd-solar-panels/pvm-m260p-r1

6 inch
Cells

PVM M250P_R1

6 inch
Cells

PVM M255P_R1

6 inch
Cells

PVM M260P_R1

LSIS Poly-Crystalline Module(PID Free)

LSIS Photovoltaic Module makes a difference

LSIS has been manufacturing photovoltaic modules for more than 30 years. We are confident that this history-based experience can provide convenience and efficiency to make the best use of building solar power system. LSIS PV modules are all made in Korea with assuring credibility and the highest quality.



PVM M250P_R1 / M255P_R1 / M260P_R1



LSIS values 'PID Free'

Mega-Scale PV Plants can be easily exposed PID effects that can lead to or accelerate module degradation through multiple factors. LSIS provides reliable PID Free Module tested and guaranteed.



Field improved photovoltaic system since 1986

Long lasting product quality. LSIS photovoltaic plants built more than 30 years ago are still generating power. It remarks significant competitive edge on LSIS.



Plus Power Tolerance

LSIS delivers only reliable products
Within a nominal power output tolerance from 0 to 3%.



Warranty

10 years Product Warranty for Mechanical Defect
10 years for 91.5% Power Warranty
25 years for 83% Power Warranty



Successful case in Japan

LSIS' PV Systems installed by more than 100MW each year in Japan.



Proper module for total solution system

LSIS Power Testing & Technology institute is recognized as a testing and certification laboratory of KEMA (Inspection of Electrical Materials of Netherland), IEC, CE, CB and CESI. LSIS PV Module obtained certification TUV, JET, J-PEC.



6 inch Cells

PVM M255P_R1

6 inch Cells

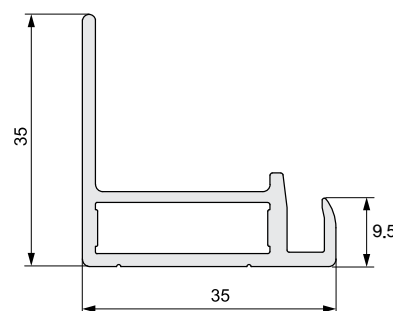
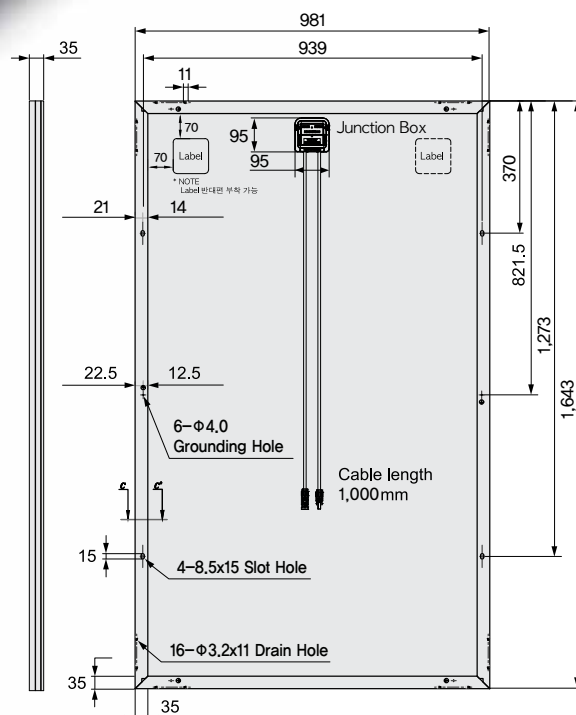
PVM M260P_R1

6 inch Cells

PVM M260P_R1

LSIS Poly-Crystalline Module (PID Free)

DESCRIPTION	PVM M250P_R1	PVM M255P_R1	PVM M260P_R1
MECHANICAL DATA			
Cell Type	Poly-Crystalline		
Cell Dimensions	156 x 156 mm (6inch)		
Cell Quantity per Module	60ea		
Number of Busbar	3ea		
Dimensions [L x W x T]	1,643 x 981 x 35 mm		
Weight	16.7 kg		
Bypass Diodes	3ea		
Connection Type	MC4 Compatible		
Length of Cable	1,000 mm		
Maximum Load	5,400pa		
ELECTRICAL DATA			
Nominal Power (Pmax)	250Wp	255Wp	260Wp
Performance Tolerance	0 ~ +3%	0 ~ +3%	0 ~ +3%
Module Efficiency	15.51%	15.82%	16.13%
Open Circuit Voltage (Voc)	37.05V	37.12V	37.76V
Short Circuit Voltage (Isc)	8.89A	8.92A	8.94A
Voltage at Maximum-Power Point (Vmp)	30.14V	30.28V	30.86V
Current at Maximum-Power Point (Imp)	8.30A	8.43A	8.45A
Temperature Coefficient (Isc)	0.058[%/°C]		
Temperature Coefficient (Voc)	-0.336[%/°C]		
Temperature Coefficient (Pmax)	-0.447[%/°C]		
Maximum System Voltage	1,000V		
Maximum Rated Current of Diode	15A		
Over Current Protection Rating	12A		
CERTIFICATION AND WARRANTY			
Certification	TUV Rheinland, KEMCO, CE		
Product Warranty	10 years		
Output Warranty	10/91.5 [years/%]		
	25/83 [years/%]		



© 2015.09 LSIS Co., Ltd. All Rights Reserved.

www.lsis.com

Head Office

LS Tower , 127, LS-ro, Dongan-gu, Anyang-si, Gyeonggi-do, Korea

Tel +82-2-2034-4820, 4598 Fax +82-2-2034-4428

Email yleea@lsis.com, jwleeg@lsis.com

2015. 09

※ LSIS constantly endeavor to improve our products so that information in this catalog is subject to change without notice.

Photovoltaic Systems (E) 2015. 09/(01) 2015. 09 Printed in Korea Pacomkorea