

For a Free Quote:

Web: EnergyPal.com/solar

Call: 1-800-990-3725

Email: contact@energypal.com

EnergyPal

Solar Panel Guide Specification Data Sheet

**LSIS Co., Ltd
PVM S260-275P
PVM S265P**

Also available on the web at
EnergyPal.com/lis-co-ltd-solar-panels/pvm-s265p

6 inch
Cells

PVM S260P

6 inch
Cells

PVM S265P

6 inch
Cells

PVM S270P

6 inch
Cells

PVM S275P

LSIS Mono-Crystalline Module(PID-Free)

LSIS Photovoltaic Module makes a difference

LSIS has been manufacturing photovoltaic modules for more than 30 years. We are confident that this history-based experience can provide convenience and efficiency to make the best use of building solar power system. LSIS PV modules are all made in Korea with assuring credibility and the highest quality.



PVM S260P_S265P_S270P_S275P



LSIS values 'PID Free'

Mega-Scale PV Plants can be easily exposed PID effects that can lead to or accelerate module degradation through multiple factors. LSIS provides reliable PID Free Module tested and guaranteed.



Field improved photovoltaic system since 1986

Long lasting product quality. LSIS photovoltaic plants built more than 30 years ago are still generating power. It remarks significant competitive edge on LSIS.



Plus Power Tolerance

LSIS delivers only reliable products
Within a nominal power output tolerance from 0 to 3%.



Warranty

10 years Product Warranty for Mechanical Defect
10 years for 91.5% Power Warranty
25 years for 83% Power Warranty



Successful case in Japan

LSIS' PV Systems installed by more than 100MW each year in Japan.



Proper module for total solution system

LSIS Power Testing & Technology institute is recognized as a testing and certification laboratory of KEMA (Inspection of Electrical Materials of Netherland), IEC, CE, CB and CESI. LSIS PV Module obtained certification TUV, JET, J-PEC.



6 inch Cells

PVM S260P

6 inch Cells

PVM S265P

6 inch Cells

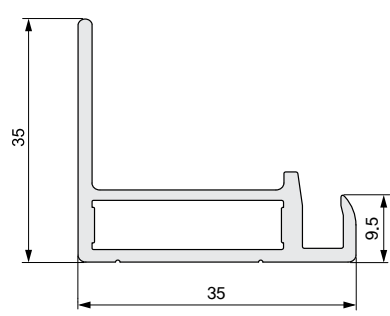
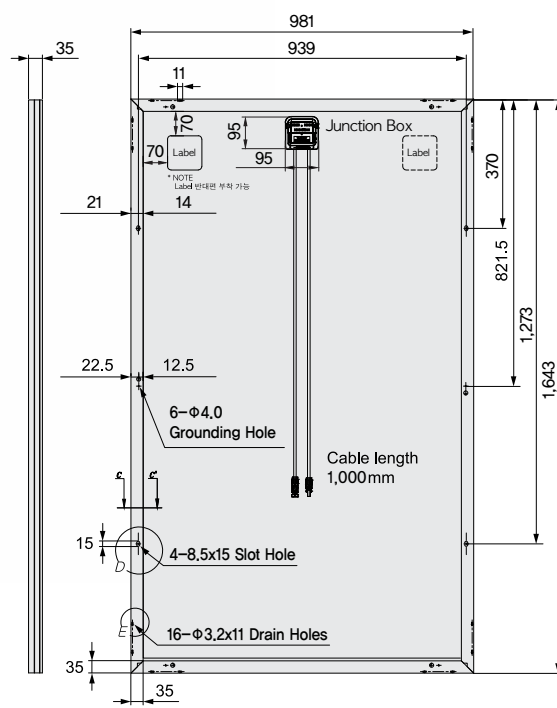
PVM S270P

6 inch Cells

PVM S275P

LSIS Mono-Crystalline Module (PID Free)

DESCRIPTION	PVM S260P	PVM S265P	PVM S270P	PVM S275P
MECHANICAL DATA				
Cell Type	Mono-Crystalline			
Cell Dimensions	156 x 156 mm (6inch)			
Cell Quantity per Module	60ea			
Number of Busbar	3ea			
Dimensions [L x W x T]	1,643 x 981 x 35 mm			
Weight	16.7 kg			
Bypass Diodes	3ea			
Connection Type	MC4 Compatible			
Length of Cable	1,000 mm			
Maximun Load	5,400pa			
ELECTRICAL DATA				
Nominal Power (Pmax)	260Wp	265Wp	270Wp	275Wp
Performance Tolerance	0 ~ +3%	0 ~ +3%	0 ~ +3%	0 ~ +3%
Module Efficiency	16.13%	16.44%	16.75%	17.06%
Open Circuit Voltage (Voc)	38.01V	38.35V	38.95V	38.97V
Short Circuit Voltage (Isc)	9.12A	9.21A	9.35A	9.37A
Voltage at Maximum-Power Point (Vmp)	30.76V	30.93V	31.81V	31.95V
Current at Maximum-Power Point (Imp)	8.47A	8.57A	8.49A	8.61A
Temperature Coefficient (Isc)	0.02828[%/°C]			
Temperature Coefficient (Voc)	-0.39241[%/°C]			
Temperature Coefficient (Pmax)	-0.56626[%/°C]			
Maximum System Voltage	1,000V			
Maximum Rated Current of Diode	15A			
Over Current Protection Rating	12A			
CERTIFICATION AND WARRANTY				
Certification	TUV Rheinland, KEMCO, CE			
Product Warranty	10 years			
Output Warranty	10/91.5 [years/%]			
	25/83 [years/%]			



©2015.09 LSIS Co., Ltd. All Rights Reserved.

www.lsis.com

Head Office

LS Tower , 127, LS-ro, Dongan-gu, Anyang-si, Gyeonggi-do, Korea

Tel +82-2-2034-4820, 4598 Fax +82-2-2034-4428

Email yleea@lsis.com, jwleeg@lsis.com

2015. 09

※ LSIS constantly endeavor to improve our products so that information in this catalog is subject to change without notice.

Photovoltaic Systems (E) 2015. 09/(01) 2015. 09 Printed in Korea Pacomkorea