

For a Free Quote:

Web: EnergyPal.com/solar

Call: 1-800-990-3725

Email: contact@energypal.com

EnergyPal

Solar Panel Guide Specification Data Sheet

**RECOM
Half Cell RCM_265-290_6PH
RCM_265_6PH**

Also available on the web at
EnergyPal.com/recom-solar-panels/rcm_265_6ph

POLY CRYSTALLINE HALF-CUT CELL MODULE

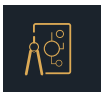
265 / 270 / 275 / 280 / 285 / 290 Watts

Amur Leopard

Overview

Ground breaking technology; higher power output of up to 10W, improved system performance - the ideal solution for end users who want a fast turnaround on their investments. A fully certified premium quality and high efficiency module made with A Grade materials.

Key Benefits



Certified by Independent Engineering Bodies



Boost Power Output up to 10W



Manufactured & Tested at European Standards



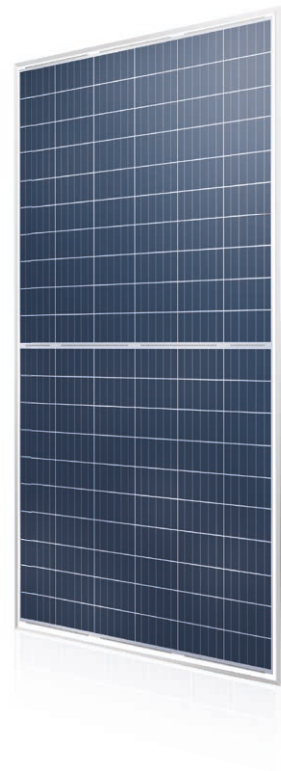
Reduce Resistive Losses



Better Performance in Reduced Irradiance Conditions



Higher Light Conversion



Guaranteed mechanical resistance to severe weather conditions



Guaranteed Positive Tolerance up to 5W



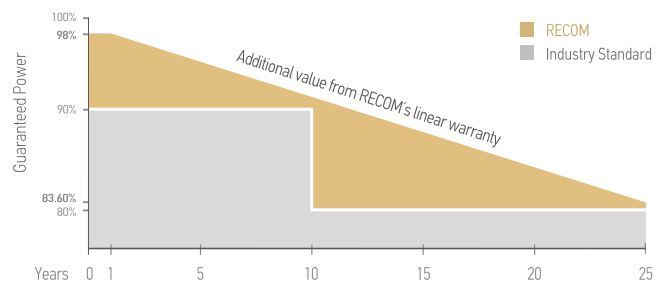
100 % electro-luminescence tested

Tests, Certifications and Warranties

Standard Tests	IEC 61215, IEC 61730
Factory Quality Tests	ISO 9001: 2008, ISO 14001: 2004
Certifications	Fire Rating Type 1, conformity to CE, PV CYCLE
Insurance	Product liability insurance provided by Allianz
Surface Maximum Load Capacity	Above 5400Pa
Positive Tolerance	Guaranteed positive tolerance of up to 5W
Junction Box	IP67 Rated, 3 diodes

- Warranties**
- 15-year limited product warranty
 - 15-year manufacturer warranty on 88.55% of the nominal performance
 - 25-year transferable linear power output warranty

Linear Performance Warranty



First Year Output $\geq 98\%$ 2-24 Year Decline $\leq 0.60\%$ 25 Year Output $\geq 83.60\%$

POLY CRYSTALLINE HALF-CUT CELL MODULE

RCM-xxx-6PH (xxx=265-290)

Electrical Characteristics

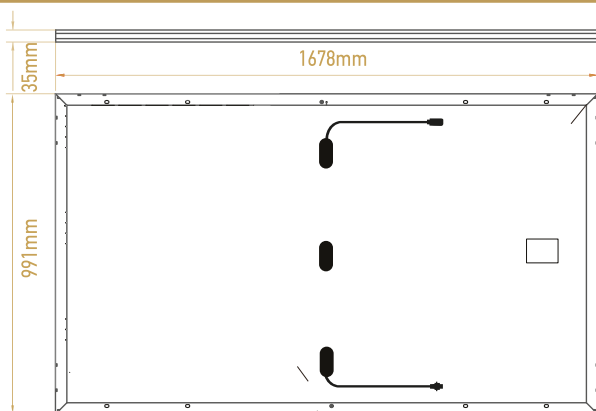
Rated Power	265W	270W	275W	280W	285W	290W
Power Tolerance	0~+5W	0~+5W	0~+5W	0~+5W	0~+5W	0~+5W
Maximum Power Voltage (Vmp)	31.40V	31.70V	32.00V	32.30V	32.60V	32.90V
Maximum Power Current (Imp)	8.44A	8.52A	8.60A	8.67A	8.75A	8.81A
Open Circuit Voltage (Voc)	38.60V	38.90V	39.10V	39.30V	39.50V	39.70V
Short Circuit Current (Isc)	9.03A	9.09A	9.15A	9.20A	9.26A	9.30A
Module Efficiency	15.94%	16.24%	16.54%	16.84%	17.14%	17.44%
Maximum Series Fuse	25A	25A	25A	25A	25A	25A
Maximum System Voltage	1.000 VDC / 1.500 VDC					

Tested at Standard Test Conditions. Measurement tolerances: $\pm 3\%$

Mechanical Data

Dimensions	1678mm x 991mm x 35mm
Weight	18.6 Kg
Frame	Anodized aluminum
Cell number	120 (6 x 20)
Front Glass	3.2mm ARC, low iron, tempered glass
Output Cables	TUV (2Pfg1169:2007), UL 4703, UL44 4.0mm ² (0.006 in ²), MC4 type connectors

Dimensions

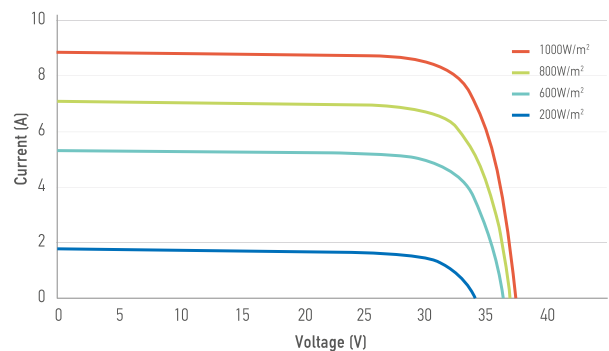


**Release 2019-01, v6.2.

RECOM assumes no liability or responsibility for any typographical error, layout error, misinformation, any other error, omission, contained herein.

I-V Curve

The module relative power loss at low light irradiance of 200W/m² is less than 3%.



Temperature Characteristics

Pmax Temperature Coefficient	-0.41% / °C
Voc Temperature Coefficient	-0.32% / °C
Isc Temperature Coefficient	+0.05% / °C
Operating Temperature	-40~+85 °C
Nominal Operating Cell Temperature (NOCT)	45 \pm 2 °C

Packing Configuration

Container	40'HC
Pieces per Pallet	30
Pallets per Container	28
Pieces per Container	840

recom-solar.com

The specification and key features described in this datasheet may deviate slightly and are not guaranteed. Due to on-going innovation, research and product enhancement, RECOM Solar reserves the right to make any adjustment to the information described herein at any time without notice. Please always obtain the most recent version of the datasheet which shall be duly incorporated into the binding contract made by the parties governing all transactions related to the purchase and sale of the products described herein. Please read the safety and installation instructions before using the modules.

© Copyright 2019. RECOM