

For a Free Quote:

Web: EnergyPal.com/solar

Call: 1-800-990-3725

Email: contact@energypal.com

EnergyPal

Solar Panel Guide Specification Data Sheet

First Sunergy LLC

S-175-195C

S-185C

Also available on the web at
EnergyPal.com/first-sunergy-llc-solar-panels/s-185c

Saturday, January 22, 2011

| STC | S-175C | S-180C | S-185C | S-190C | S-195C |
|---|------------------|--------|--------|--------|--------|
| Nominal peak power | 175W | 180W | 185W | 190W | 195W |
| Open circuit voltage | 44.7V | 44.9V | 45.1V | 45.3V | 45.6V |
| Max. power voltage | 35.7V | 36.0V | 36.5V | 36.9V | 37.4V |
| Short circuit current | 5.30A | 5.40A | 5.45A | 5.53A | 5.61A |
| Max. power current | 4.89A | 4.99A | 5.06A | 5.15A | 5.22A |
| module efficiency | 13.4% | 13.8% | 14.2% | 14.6% | 15.0% |
| Power output tolerances ±3% | | | | | |
| Max. system voltage | 1,000 VDC | | | | |
| Max. series fuse rating | 10A | | | | |
| Operating temperature | - 40°C to + 85°C | | | | |
| *Electrical parameters at STC (1,000 W/m ² , 25°C, AM 1.5 according to EN 60904-3) | | | | | |

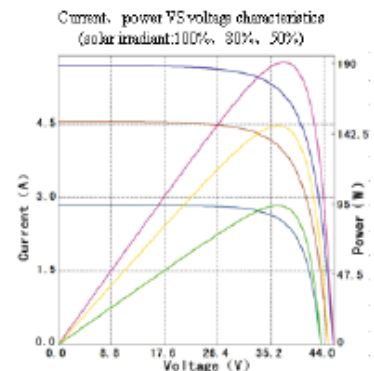
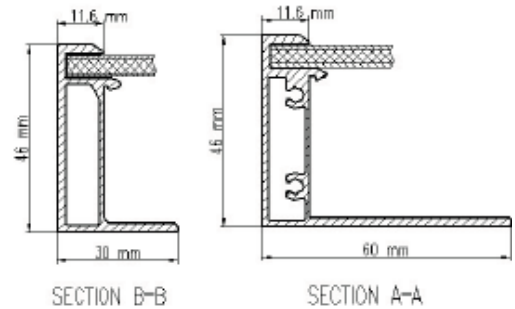
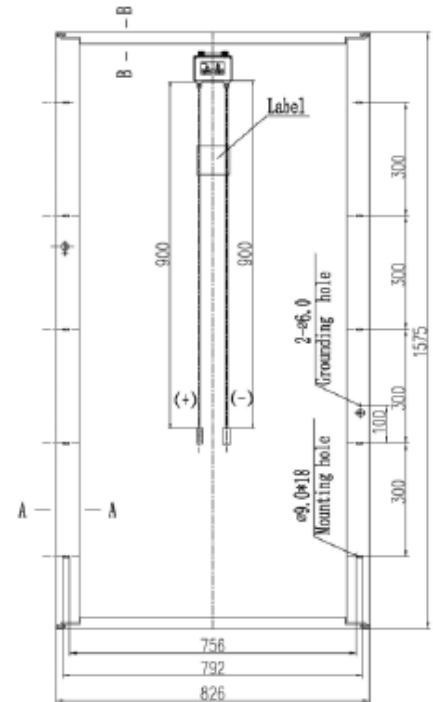
| NOCT | S-175C | S-180C | S-185C | S-190C | S-195C |
|--|------------|--------|--------|--------|--------|
| Nominal peak power | 125W | 129W | 132W | 136W | 140W |
| Open circuit voltage | 40.7V | 40.9V | 41.1V | 41.3V | 41.5V |
| Max. power voltage | 31.5V | 31.8V | 32.2V | 32.5V | 32.9V |
| Short circuit current | 4.29A | 4.37A | 4.41A | 4.48A | 4.54A |
| Max. power current | 3.97A | 4.06A | 4.10A | 4.18A | 4.25A |
| NOCT | 46°C ± 2°C | | | | |
| *Electrical parameters at NOCT (800 W/m ² , 20°C, AM 1.5 according to EN 60904-3) | | | | | |

Temperature coefficients

| | |
|----------------|----------|
| γ_{Pm} | -0.47%/K |
| α_{Isc} | 0.038%/K |
| β_{Voc} | -0.34%/K |

Mechanical parameters

| | |
|------------------|----------------------------|
| Module dimension | 1575*826*46(mm) |
| Weight | 16.3kg |
| Max. wind Load | 2400pa |
| Max. snow Load | 5400pa |
| Cell dimension | 125*125 |
| Cell type | 72(6*12) / monocrystalline |
| Packing method | 264pcs/20' 616pcs/40' |



*Design and specifications are subject to change without notice.