

For a Free Quote:

Web: EnergyPal.com/solar

Call: 1-800-990-3725

Email: contact@energypal.com

EnergyPal

Solar Panel Guide Specification Data Sheet

First Sunergy LLC

S-175-195C

S-195C

Also available on the web at
EnergyPal.com/first-sunergy-llc-solar-panels/s-195c

Saturday, January 22, 2011

STC	S-175C	S-180C	S-185C	S-190C	S-195C
Nominal peak power	175W	180W	185W	190W	195W
Open circuit voltage	44.7V	44.9V	45.1V	45.3V	45.6V
Max. power voltage	35.7V	36.0V	36.5V	36.9V	37.4V
Short circuit current	5.30A	5.40A	5.45A	5.53A	5.61A
Max. power current	4.89A	4.99A	5.06A	5.15A	5.22A
module efficiency	13.4%	13.8%	14.2%	14.6%	15.0%
Power output tolerances ±3%					
Max. system voltage	1,000 VDC				
Max. series fuse rating	10A				
Operating temperature	- 40°C to + 85°C				
*Electrical parameters at STC (1,000 W/m ² , 25°C, AM 1.5 according to EN 60904-3)					

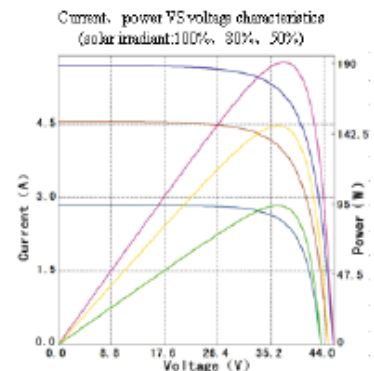
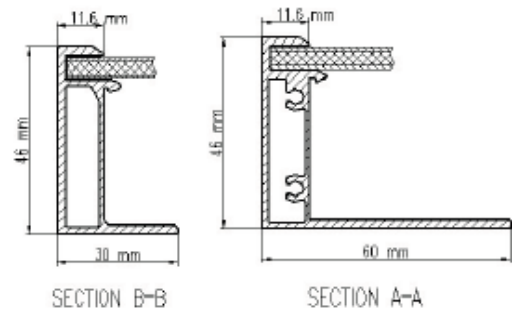
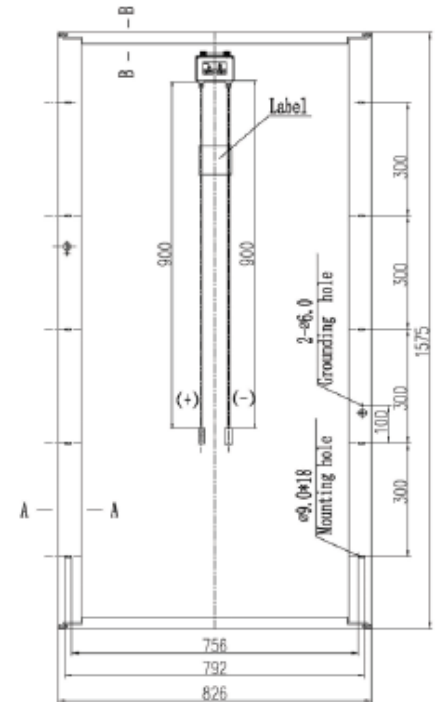
NOCT	S-175C	S-180C	S-185C	S-190C	S-195C
Nominal peak power	125W	129W	132W	136W	140W
Open circuit voltage	40.7V	40.9V	41.1V	41.3V	41.5V
Max. power voltage	31.5V	31.8V	32.2V	32.5V	32.9V
Short circuit current	4.29A	4.37A	4.41A	4.48A	4.54A
Max. power current	3.97A	4.06A	4.10A	4.18A	4.25A
NOCT	46°C ± 2°C				
*Electrical parameters at NOCT (800 W/m ² , 20°C, AM 1.5 according to EN 60904-3)					

Temperature coefficients

γ_{Pm}	-0.47%/K
α_{Isc}	0.038%/K
β_{Voc}	-0.34%/K

Mechanical parameters

Module dimension	1575*826*46(mm)
Weight	16.3kg
Max. wind Load	2400pa
Max. snow Load	5400pa
Cell dimension	125*125
Cell type	72(6*12) / monocrystalline
Packing method	264pcs/20' 616pcs/40'



*Design and specifications are subject to change without notice.