

For a Free Quote:

Web: EnergyPal.com/solar

Call: 1-800-990-3725

Email: contact@energypal.com

EnergyPal

Solar Panel Guide Specification Data Sheet

**Solsonica S.P.A.
S609SPP-Revamping
S609SPP-220**

Also available on the web at
EnergyPal.com/solsonica-s-p-a-solar-panels/s609spp-220

Silver Plus Poly

S610SPP – Revamping



KEY FEATURES

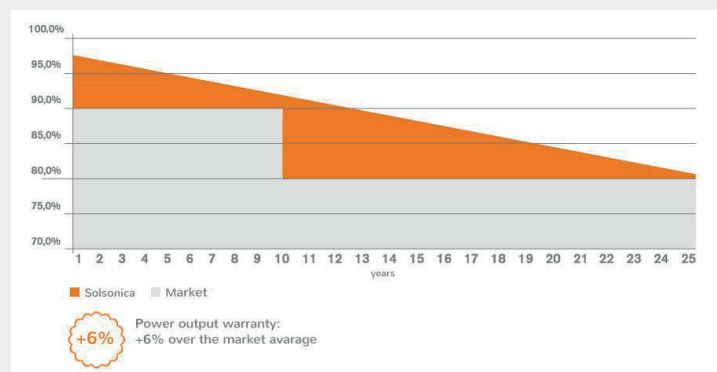
- ☀ “Made in Europe” Quality
- ☀ 12-year Product Warranty*
- ☀ Positive power tolerance
- ☀ High resistance to wind and snow loads
- ☀ Low value of NOCT for optimal performance

CERTIFICATIONS

- ☀ “PID free test” IEC 82/685/NP
- ☀ Salt mist corrosion test IEC 61701
- ☀ Ammonia resistance test TUV protocol
- ☀ “Made in EU” as result of factory inspection
- ☀ IEC 61215 / IEC 61730



LINEAR PRODUCIBILITY WARRANTY*



25 years linear producibility warranty:
2.5% power degradation in the first year, 0.7% per annum over the 24 subsequent.

* Warranties do not apply if the modules are not installed as described in the PV Modules Use and Maintenance Manual.

Silver Plus Poly

S610SPP – Revamping



ELECTRICAL PARAMETERS

STC*	Pmax	Vmp	Imp	Voc	Isc	Eff.
Codice prodotto	(W)	(V)	(A)	(V)	(A)	(%)
S610SPP-220	220	28.51	7.72	36.13	8.43	13.30
S610SPP-225	225	28.73	7.83	36.29	8.49	13.60
S610SPP-230	230	28.95	7.94	36.45	8.55	13.90
S610SPP-235	235	29.17	8.05	36.61	8.61	14.20

* STC: Irradiation 1000W/m², AM 1.5, Module Temperature 25 ° C

ELECTRICAL PARAMETERS AT NOCT**

NOCT	Pmax	Vmp	Imp	Voc	Isc
Codice prodotto	(W)	(V)	(A)	(V)	(A)
S610SPP-220	161.70	26.20	6.18	33.95	6.81
S610SPP-225	165.30	26.40	6.26	34.10	6.86
S610SPP-230	168.90	26.60	6.35	34.25	6.90
S610SPP-235	172.50	26.80	6.44	34.40	6.95

** NOCT: in Nominal Operating conditions (800W/m², T 20 °C, Wind speed 1 m/s)

THERMAL, ELECTRICAL AND MECHANICAL PROPERTIES

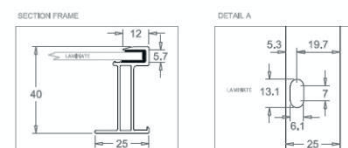
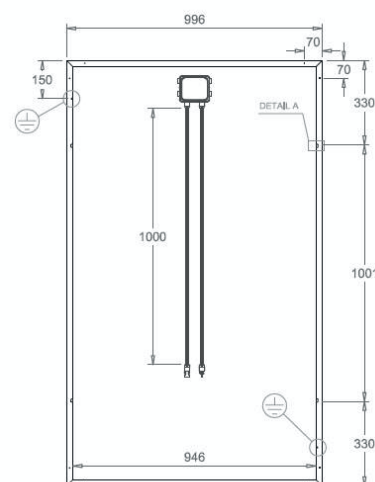
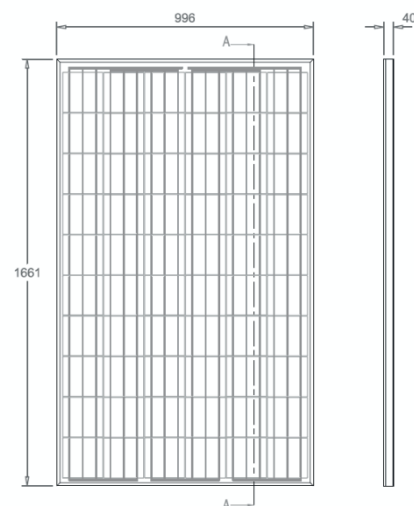
Power tolerance (W)	-0/+10%
NOCT (°C)	43 ± 2
Isc Thermal Coefficient ¹ (%/°C)	0.042
Voc Thermal Coefficient ¹ (%/°C)	-0.335
Pmax Thermal Coefficient ¹ (%/°C)	-0.454
Maximum system voltage (V)	1000
Reverse Current Limit (A)	15
Maximum front load (Pa)	5400
Maximum back load (Pa)	2400
Hailstones Resistance (dia. / vel.)	25 mm, 23 m/s

DESIGN FEATURES

Cell type	Polycrystalline silicon / 3 bus bar
Cell size (mm)	156 x 156
Module size LxHxW (mm)	1661 x 996 x 40
Frame	Anodized aluminum
Weight (kg)	19
Junction box	Protection Class IP65
By-pass diodes	3
Cable (2x)	1 m / 4 mm ²
Connectors	MC4 compatible
Glass	Tempered / 3.2 mm

¹measured by Fraunhofer ISE

TECHNICAL DRAWINGS (dimensions in mm)



NOTES:

- This technical datasheet complies with requirements of standard EN 503801
- GALA Tech reserves the right to make changes to product specifications
- Technical drawings are exclusive property of GALA Tech according to the regulations in force