

For a Free Quote:

Web: **EnergyPal.com/solar**

Call: **1-800-990-3725**

Email: **contact@energypal.com**

EnergyPal

Solar Panel Guide Specification Data Sheet

Yuhuan Sinosola Science & Technology Co., Ltd.

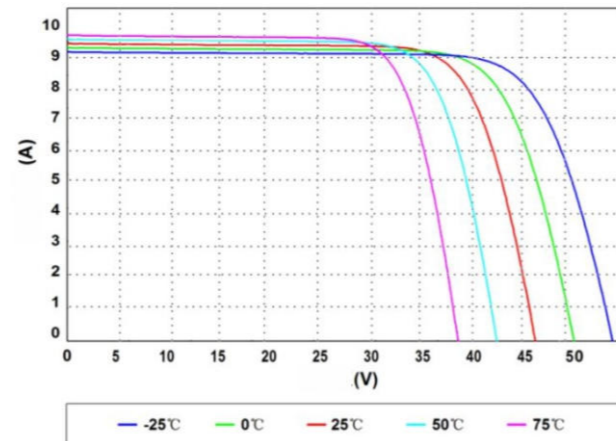
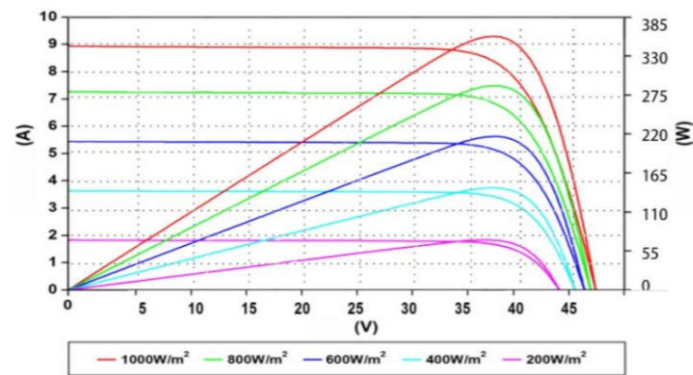
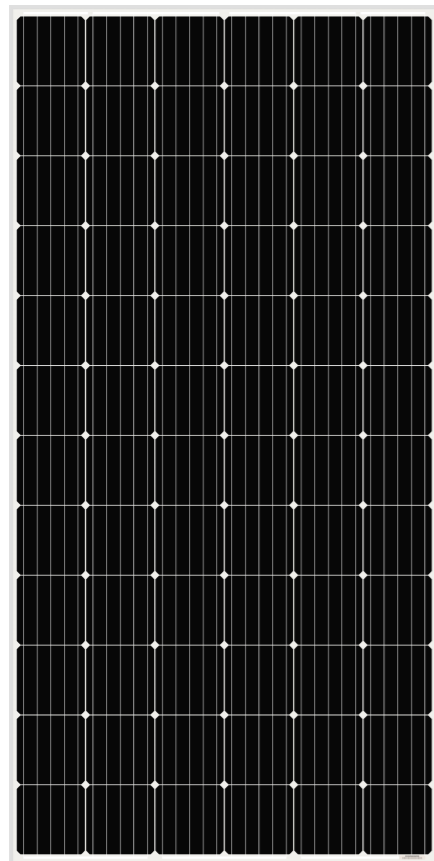
SA 380W-405W 72M

SA390-72M

Also available on the web at

EnergyPal.com/yuhuan-sinosola-science-technology-co-ltd-solar-panels/sa390-72m

Mono Crystalline Solar Module -6 inch*72



Electrical characteristics at Standard Test Conditions (STC)

Model	SA380-72M	SA385-72M	SA390-72M	SA395-72M	SA400-72M	SA405-72M
Max Power - Pmpp (W)	380	385	390	395	400	405
Positive power tolerance (%)	0-5W	0-5W	0-5W	0-5W	0-5W	0-5W
Open Circuit Voltage - Voc (V)	49.90	49.34	49.63	49.97	50.26	50.54
Short Circuit Current - Isc (A)	9.96	10.04	10.11	10.26	10.33	10.40
Max Power Voltage-Vmpp (V)	39.96	40.28	40.59	40.69	40.92	41.15
Max Power Current - Imp (A)	9.51	9.56	9.62	9.71	9.78	9.84
Module Efficiency(%)	19.58	19.84	20.10	20.36	20.61	20.87

Electrical data relates to standard test conditions (STC): irradiance 1000 W/m²; AM 1.5; cell temperature 25°C measuring uncertainty of power is within 0-5W. Certified in accordance with IEC61215:2016, IEC61730-1/2:2016

Electrical characteristics at Nominal Operating Cell Temperature (NOCT)

Model	SA380-72M	SA385-72M	SA390-72M	SA395-72M	SA400-72M	SA405-72M
Max Power - Pmpp (W)	279	283	287	291	296	299
Open Circuit Voltage - Voc (V)	44.78	45.03	45.32	45.98	46.44	46.63
Short Circuit Current - Isc (A)	8.09	8.15	8.21	8.23	8.27	8.34
Max Power Voltage-Vmpp (V)	36.23	36.62	36.89	37.22	37.58	37.75
Max Power Current - Imp (A)	7.69	7.73	7.78	7.82	7.85	7.92

Nominal Operating Cell Temperature (NOCT): Irradiance 800W/m², environment temperature 20, wind speed 1m/s

Temperature Characteristics

Voltage Temperature Coefficient	-0.36%/K
Current Temperature Coefficient	+0.04%/K
Power Temperature Coefficient	-0.36%/K

Maximum Ratings

Maximum system voltage (V)	1500 V DC
Series fuse rating (A)	13A/15A
Reverse current overload (A)	25A

Mechanical Characteristics

Dimensions	1956*992*40mm (Length*Width*Depth)
Weight	21.5kg
Frame	Anodized aluminum profile (Silvery/Black)
Front glass	White toughened safety glass, anti-reflective coating 3.2mm
Cell Encapsulation	EVA (Ethylene-Vinyl-Acetate)
Back sheet (Black / White)	Fluorine containing composite film
Cells	6*12 pieces Mono solar cells series strings(6INCH/5BB)
Junction Box	Rated current ≥13A/15A, IP≥67/68
Cable	Length 900mm, 1×4mm ²
Connector	MC 4/ compatible

Note : We accept customized solar modules , such as frame , backsheet colors , length of cables

Packaging

Container 20	260PCS
Container 40	572PCS
Container 40HQ	638PCS

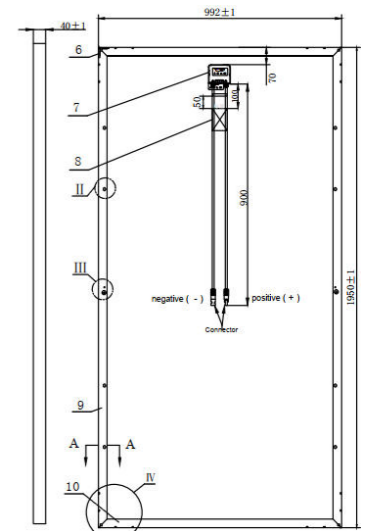
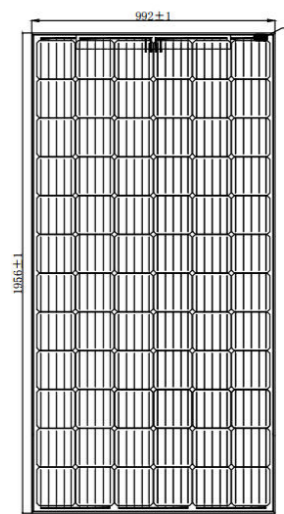
Parameters

temp. Range	-40°C to 85°C
Application Class	Class A
Pollution Degree	1
Protection Class	Class II
Fire Rating	Class C

Dimensions

Note: Module layout below only valid for modules with 40mm thickness. All dimensions in mm

- Cell efficiency > 22.5%
- EL Double Inspection
- 12 years Material&workmanship warranty
- 25 years Linear power output warranty
- diameter 25mm with 23m/s (standard)
diameter 55mm with 33.9m/s (optional)
- front side 5400Pa (standard)
front side 8000Pa & 12000Pa (optional)



IEC61215-1:2016 IEC61215-1-1:2016 IEC61215-2:2016 IEC61730-1:2016 IEC61730-2:2016 EN61215-1:2016
EN61215-2:2017 EN61215-1-1:2016 EN IEC61730-1:2018 EN IEC61730-2:2018 IEC61853-1:2011 IEC61701:2011
IEC TS62804-1:2015 IEC62716:2013 EN50380:2003 KS C 8561:2016 IEC60068-2-68 LCS ISO9001:2015 ISO14001:2015

