

**For a Free Quote:**

**Web: [EnergyPal.com/solar](http://EnergyPal.com/solar)**

**Call: 1-800-990-3725**

**Email: [contact@energypal.com](mailto:contact@energypal.com)**

# **EnergyPal**

## **Solar Panel Guide Specification Data Sheet**

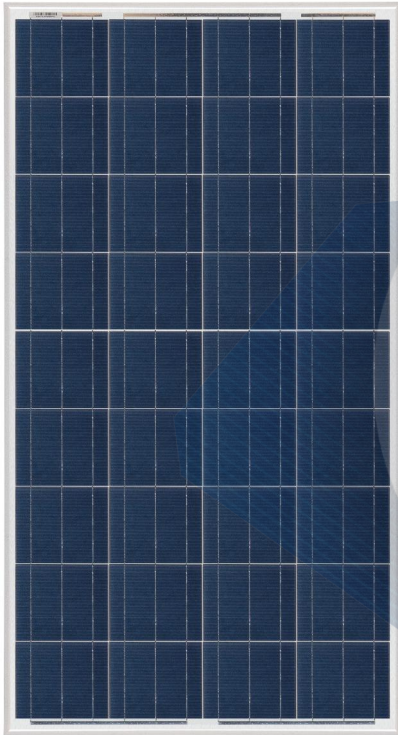
**Ningbo Qixin Solar Electrical Appliance Co., Ltd**

**SL120TU-18P**

**SL120TU-18P**

Also available on the web at  
[EnergyPal.com/ningbo-qixin-solar-electrical-appliance-co-ltd-solar-panels/sl120tu-](http://EnergyPal.com/ningbo-qixin-solar-electrical-appliance-co-ltd-solar-panels/sl120tu-18p)

**Model (SL120TU-18P) Specifications**

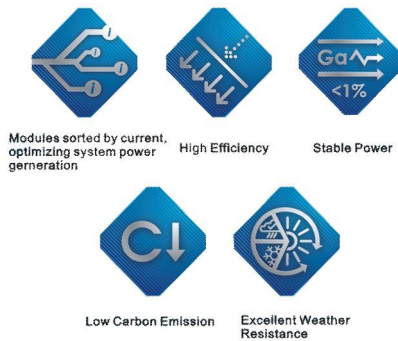


**Electrical Data**

Maximum Power(W)	120W
Optimum Power Voltage(Vmp)	18.83V
Optimum Operating Current(Imp)	6.37A
Open Circuit Voltage(Voc)	22.46V
Short Circuit Current(Isc)	6.82A
Cell Efficiency	16.90%
Module Efficiency	14.60%
Tolerance Wattage	0 +3%
NOCT	45°C +/-2°C

**Benefits**

- ❑ High efficiency solar cells with high transmission and textured glass are delivering high efficiency for modules;
- ❑ Bypass diode minimizes the power drop caused by shade;
- ❑ Tempered glass, EVA resin, and weatherproof film, plus aluminum frame for extended outdoor use;
- ❑ Modules independently tested to ensure conformance with certification and regulatory standards;
- ❑ Manufacturing facility certified to ISO 9001 quality management system standards.



Modules sorted by current, optimizing system power generation

High Efficiency

Stable Power  $G_a < 1\%$

Low Carbon Emission

Excellent Weather Resistance

**Applications**

- ❑ On-grid residential roof-tops
- ❑ On-grid commercial/industrial roof-tops
- ❑ Solar power stations
- ❑ Other on-grid applications

**Temperature Coefficients**

Temperature Coefficients of Isc(%)	+0.04
Temperature Coefficients of Voc(%)	-0.38
Temperature Coefficients of Pm(%)	-0.47
Temperature Coefficients of Im(%)	+0.04
Temperature Coefficients of Vm(%)	-0.38



**Components & Mechanical**

Solar Cell	156*129 Poly
Number of Cell(pcs)	4*9
Size of Module(mm)	1230*668*35
Front Glass Thickness(mm)	3.2
Surface Maximum Load Capacity	2400-5400Pa
Allowable Hail Load	23m/s ,7.53g
Weight Per Piece(KG)	9.7
Bypass Diode Rating(A)	10
Frame(Material Corners,etc.)	35#
Temperature Range	-40°C to +85°C
FF (%)	70-78%
Standard Test Conditions	AM1.5 1000W/m <sup>2</sup> 25°C

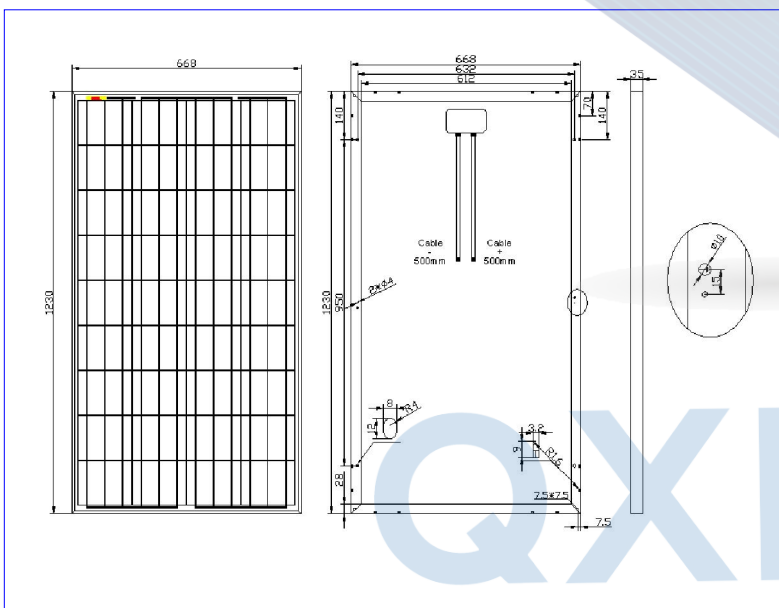
**Packing**

Packing	Wooden Box
Pieces per container	30pcs/Pallets

**Project Picture**



**Engineering Drawings**



©2016 Ningbo Qixin Solar Electrical Appliance Co., Ltd. All rights reserved.  
Specifications included in this datasheet are subject to change without notice.



**Ningbo Qixin Solar Electrical Appliance Co., Ltd**

ADD: No. 37 Jingang Road, Binhai Industrial Park,  
Xiangshan County, Ningbo, 315700, China

WEB: <http://www.nbqxsolar.com>

TEL: 0086-(0)574-25758823

FAX: 0086-(0)574-25758824

E-mail: [sales@nbqxsolar.com](mailto:sales@nbqxsolar.com)