

For a Free Quote:

Web: **EnergyPal.com/solar**

Call: **1-800-990-3725**

Email: **contact@energypal.com**

EnergyPal

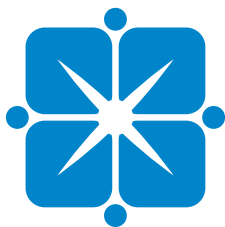
Solar Panel Guide Specification Data Sheet

Solar Leading Group Limited

SL6P54-225W-240W

SL6P54-235W

Also available on the web at
EnergyPal.com/solar-leading-group-limited-solar-panels/sl6p54-235w



SOLAR LEADING

To a better future

SL6P54-225W-240W

Polycrystalline Photovoltaic Module



15.30-16.30%
MAXIMUM EFFICIENCY

225-240W
POWER OUTPUT RANGE

54 CELL
POLYCRYSTALLINE MODULE

0~+5W
POSITIVE OUTPUT GUARANTEE



Excellent low light performance on cloudy days, mornings and evenings

- Anti-reflective coating



Great aesthetics for residential applications

- High efficiency, lower weight, Easy handling and optimum utilization of roof space



Certified to withstand challenging environmental conditions

- 2400 Pa wind load
- 5400 Pa snow load
- 35mm hail stone at 97 km/hr



IP68 connectors enhance the reliability of the PV system



Blowing sand resistance certification



Anti-PID



Fire test certification



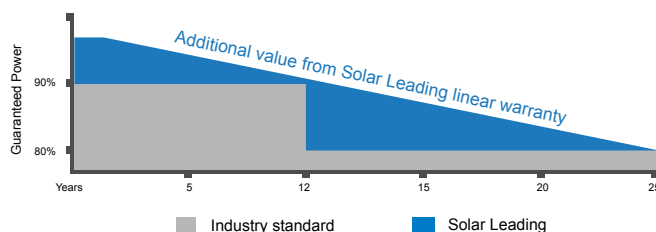
Ammonia corrosion certification



Salt mist corrosion certification

LINEAR PERFORMANCE WARRANTY

12 Year Product Warranty 25 Year Linear Power Warranty



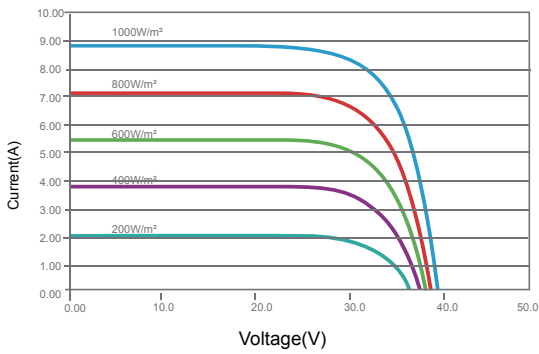
Electrical Characteristics

| Characteristics | Unit | SL6P54-225W | SL6P54-230W | SL6P54-235W | SL6P54-240W |
|------------------------------|------|-----------------------------------|-------------|-------------|-------------|
| Maximum Power (Pmax) | W | 225 | 230 | 235 | 240 |
| Power Tolerance | W | (0, +5) | (0, +5) | (0, +5) | (0, +5) |
| Maximum Power Voltage (Vmp) | v | 28.0 | 28.5 | 28.8 | 29.0 |
| Maximum Power Current (Imp) | A | 8.03 | 8.08 | 8.17 | 8.24 |
| Open Circuit Voltage (Voc) | V | 33.4 | 34.0 | 34.3 | 34.5 |
| Short Circuit Current (Isc) | A | 8.58 | 8.63 | 8.71 | 8.78 |
| Module Efficiency (ηm) | % | 15.30 | 15.64 | 15.98 | 16.32 |
| Dimension of module | mm | 1480×992×40mm (64.6×39.1×1.6inch) | | | |
| Pmax Temperature Coefficient | %/C | -0.44 | | | |
| Voc Temperature Coefficient | %/C | -0.32 | | | |
| Isc Temperature Coefficient | %/C | +0.04 | | | |
| Maximum System Voltage | VDC | 1000(TUV);600(UL) | | | |
| Maximum Series Fuse Rating | A | 15 | | | |
| Operating Temperature | °C | -40 ~ +85 | | | |
| NOCT | °C | 45±2 | | | |

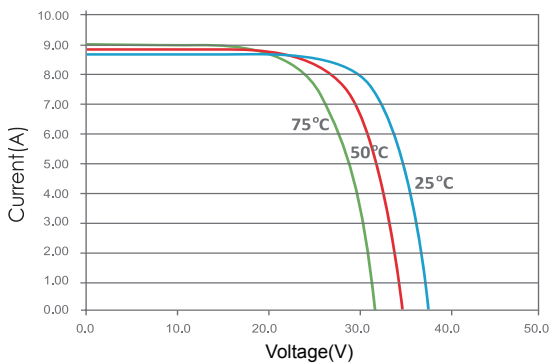
STC:1000W/m2.AM1.5 and 25 °C cell temperature: NOCT : Nominal Operating Cell Temperature

I-V Curves

I-V Curves of PV Module SL6P54-225W (Cell Temp. 25 °C)

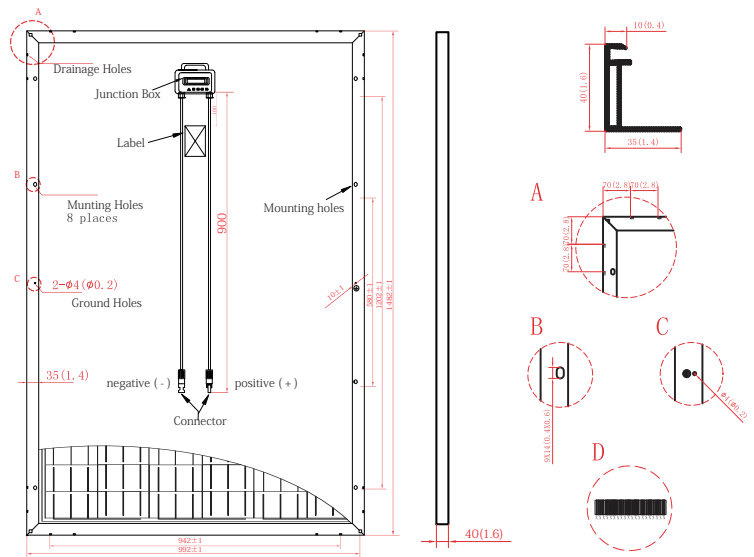


I-V Curves of PV Module SL6P54-225W at Different Cell Temp. (AM1.5, 1000W/m²)



Physical Characteristics

Unit:mm(inch)



| | |
|---------------|---|
| Cell Type | 156mm x 156mm, monocrystalline Silicon |
| No. of Cells | 54pcs (6x9) |
| Dimension | 1480x992x40mm (64.6x39.1x1.6inch) |
| Weight | 15.0kg (41.9lbs.) |
| Cable Length | 900mm (35.4inch) |
| Bypass Diodes | 6/3pcs |
| Junction Box | IP65/IP68 |
| Front Glass | 3.2mm (0.1inch) tempered low-iron glass |
| Frame | Anodized aluminum alloy |

* Specifications are subjected to change without further notice

